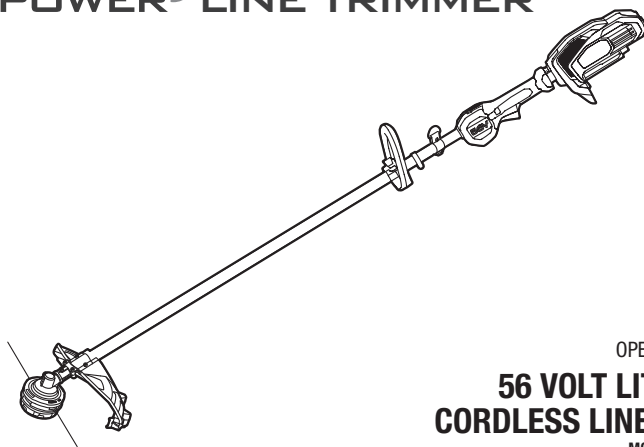


# EGO™

## POWER<sup>+</sup> LINE TRIMMER

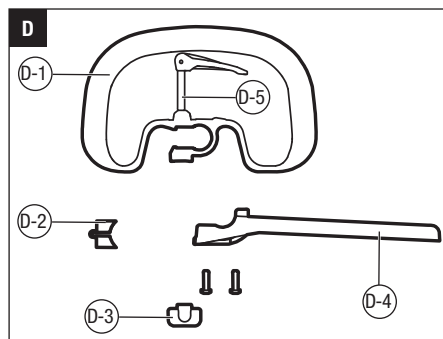
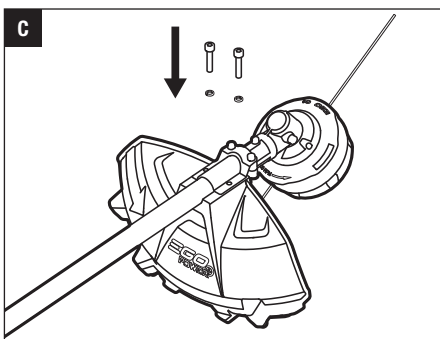
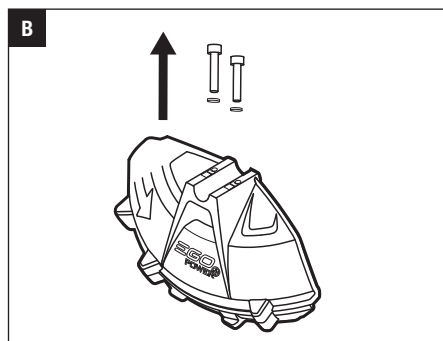
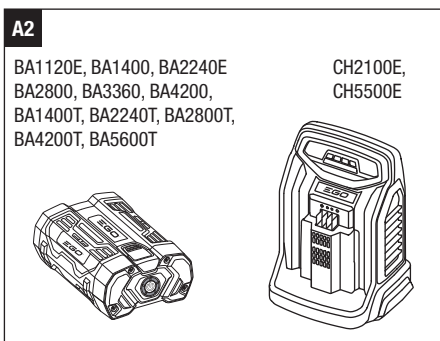
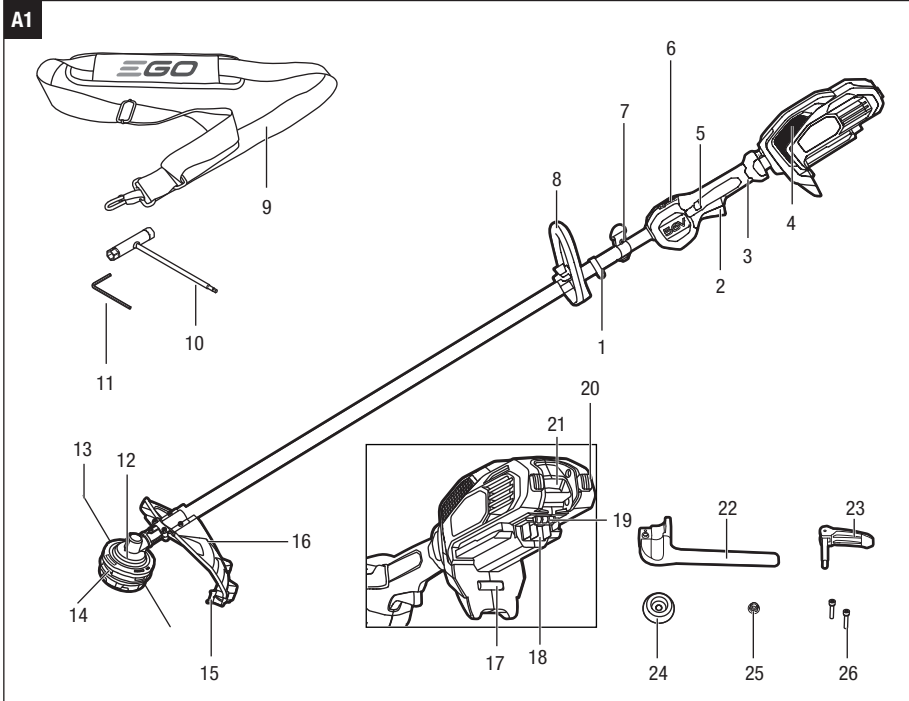


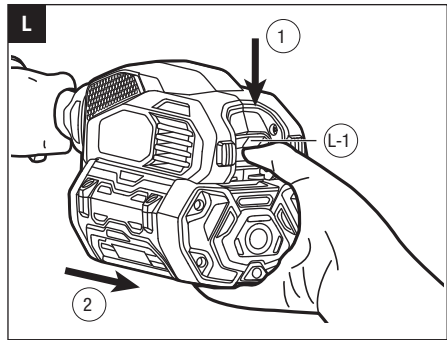
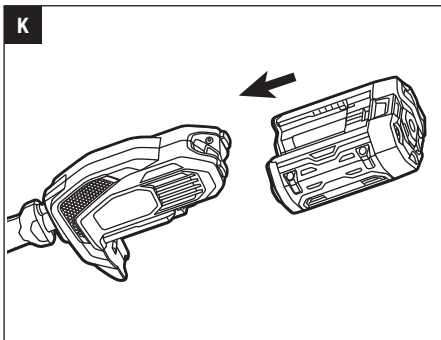
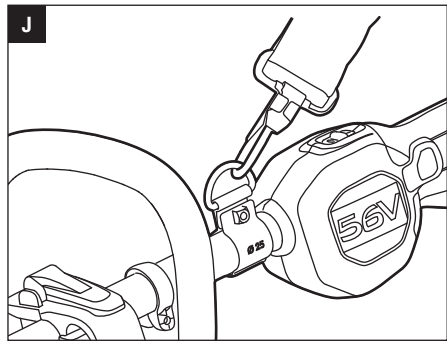
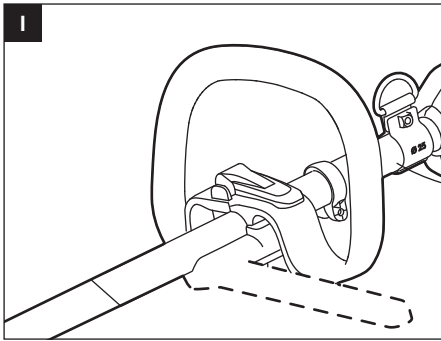
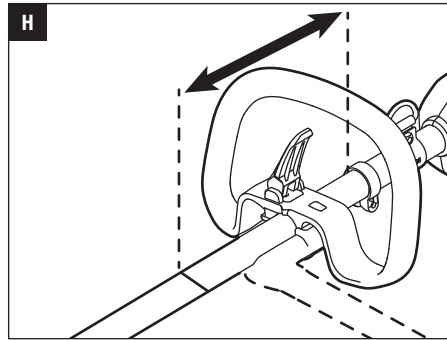
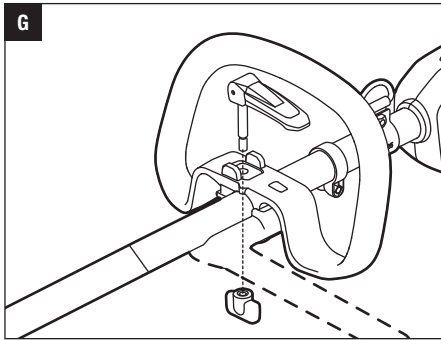
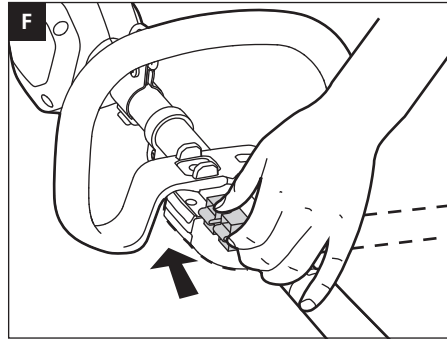
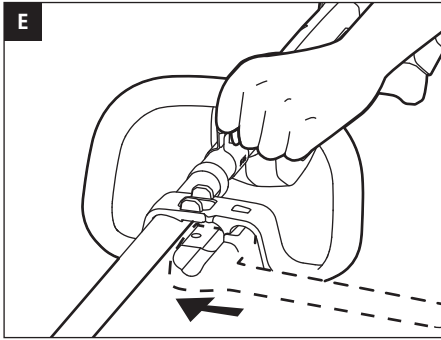
OPERATOR'S MANUAL

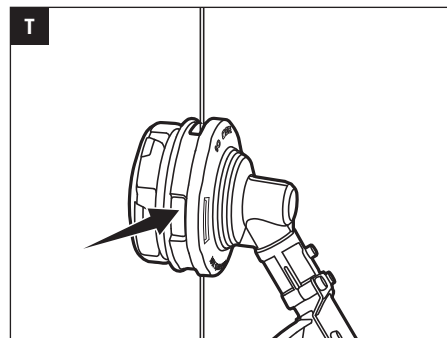
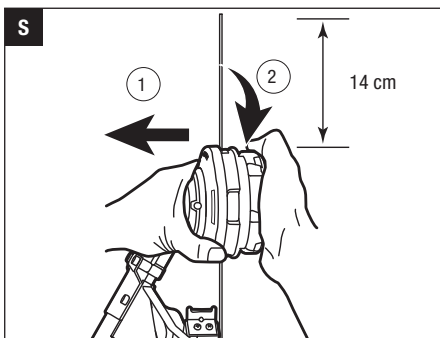
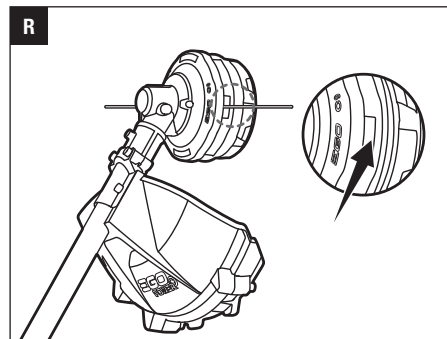
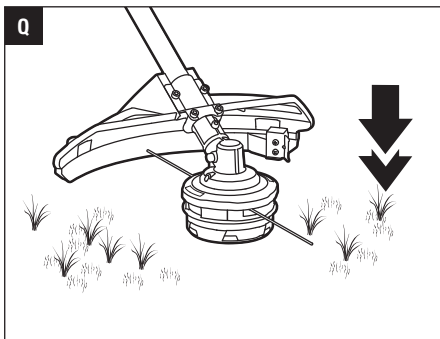
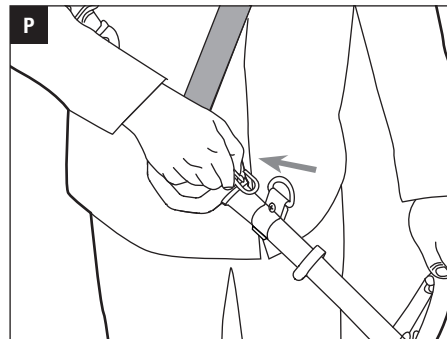
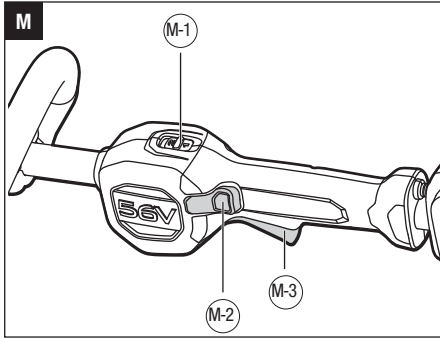
### 56 VOLT LITHIUM-ION CORDLESS LINE TRIMMER

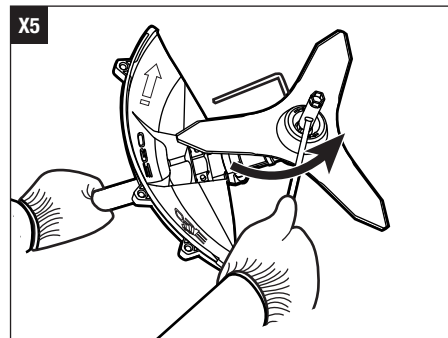
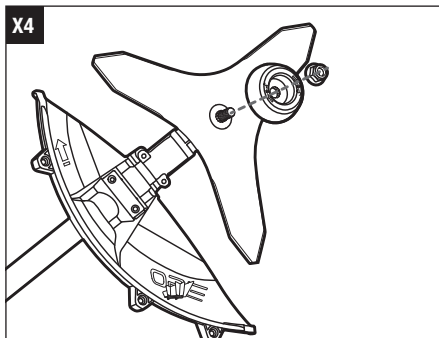
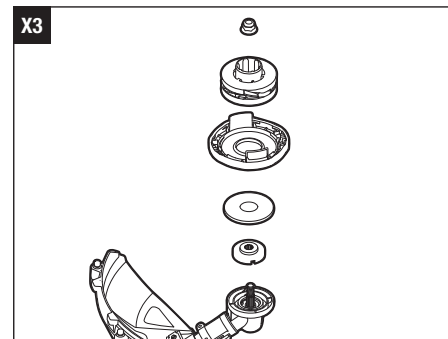
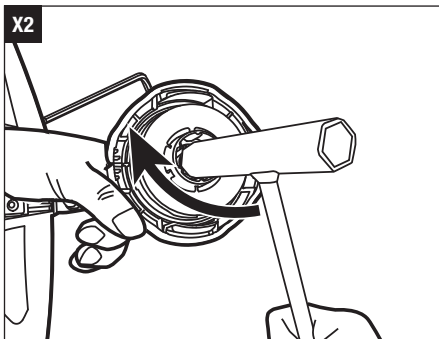
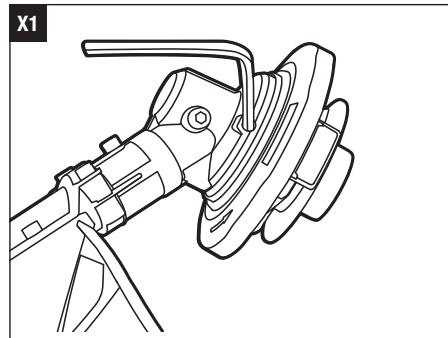
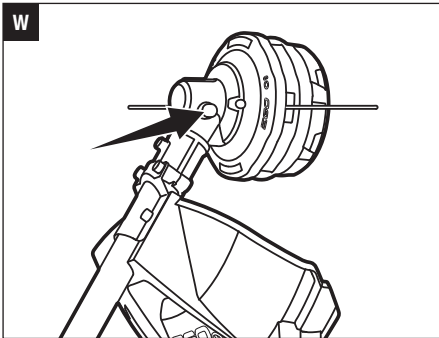
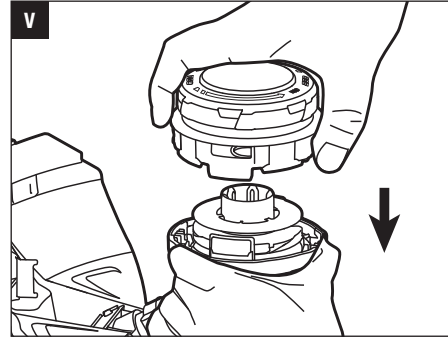
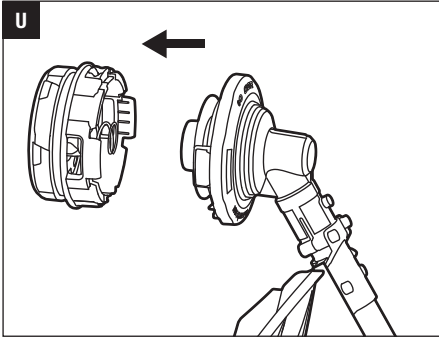
MODEL NUMBER ST1530E

|    |  |     |    |  |     |
|----|--|-----|----|--|-----|
| EN | 56 volt lithium-ion cordless line trimmer  | 6   | SL | 56-voltna litij-ionska brezžična kosilnica z nitko                   | 125 |
| DE | Kabelloser Rasentrimmer mit 56 Volt Lithium-Ionen-Akku                                 | 13  | LT | 56 voltų ličio jonų belaidis pjūklas su siūlu                        | 132 |
| FR | Taille-bordure sans fil lithium-ion 56v  | 20  | LV | 56 voltu litija jonu bezvadu trimmeris ar auklu                      | 139 |
| ES | Cortabordes inalámbrico con cabezal de hilo y acumulador de ion de litio de 56 voltios | 27  | GR | Ασύρματο χλοοκοπτικό λιθίου - ιόντων 56 Volt, με μεσινέζα            | 146 |
| PT | Aparador de fio sem fios de láio e lítio de 56 volts                                   | 34  | TR | 56 volt lityum-iyon kablosuz misinali çim biçme makinesi             | 153 |
| IT | Decespugliatore a filo a batteria li-ion 56 volt                                       | 41  | ET | 56-voldise liitiumioonakuga akutoitel jõhvtrimmer                    | 160 |
| NL | 56 volt lithium-ion accu grastrimmer   | 48  | UK | 56-вольтний літій-іонний акумуляторний лісовий тример                | 167 |
| DK | 56 volt lithium-ion akku græstrimmer   | 55  | BG | 56 волта литиево-йонен безкабелен кордов тример                      | 174 |
| SE | 56 volt lithium-ion-batteri sladdlös gråstrimmer                                       | 62  | HR | Bežični šišač sa žinjom od 56 volti                                  | 181 |
| FI | 56 voltin litium-ion akkukäyttöinen siimaleikkuri                                      | 69  | KA | 56 ვოლტბანის ლითიუმ-იონის აკუმულატორიანი უსადენო ელექტრო სათიბი      | 188 |
| NO | 56 volts ledningsfri kantklipper   | 76  | SR | Bežični trimer sa strunom i litijum-jonskom baterijom od 56 volti    | 196 |
| RU | Беспроводной триммер с леской и литий-ионным аккумулятором 56 В                        | 83  | BS | Akumulatorski trimer s reznom niti i litij-ionskom baterijom od 56 V | 203 |
| PL | Podkaszarka bezprzewodowa litowo-jonowa 56 voltów                                      | 90  | HE | גוזם דשא חלוטית ליתיום-56 וולט                                       | 210 |
| CZ | 56 voltová lithium-iontová akumulátorová strunová sekačka                              | 97  | AR | جَزَاة الخيط اللاسلكية العاملة بطارية ليثيوم-أيون 56 فولت            | 217 |
| SK | 56 v lítium-ióňová bezdrôtová strunová kosačka   | 104 |    |  |     |
| HU | 56 voltos vezeték nélküli lítium-ion motoros lánzfűrész                                | 111 |    |  |     |
| RO | Беспроводной триммер с леской и литий-ионным аккумулятором 56 В                        | 118 |    |  |     |









## EN READ ALL INSTRUCTIONS!



### READ OPERATOR'S MANUAL

**⚠ WARNING:** Residual risk! People with electronic devices, such as pacemakers, should consult their physician(s) before using this product. Operation of electrical equipment in close proximity to a heart pacemaker could cause interference or failure of the pacemaker.



### Safety Alert



**Wear Eye Protection-**Always wear safety goggles or safety glasses with side shields and a full face shield when operating this product.



**Wear Ear Protection-**Always wear ear protection when operating this product.



**Wear Head Protection-**Wear an approved safety hard hat to protect your head.



**Do not install round cutting blades.**



**Cutting width-**The Max. cutting width of line trimmer



**Ensure that other people and pets remain at least 15m away from the line trimmer when it is in use.**



**Guaranteed sound power level. Noise emission to the environment according to the European community's Directive.**



**Waste electrical products should not be disposed of with household waste. Take to an authorized recycler.**

$n_0$

**No Load Speed-**Rotational speed, at no load



**Direct Current**

## SAFETY SYMBOLS

**⚠ WARNING:** The operation of any power tools can result in foreign objects being thrown into your eyes, which can result in severe eye damage. Before beginning power tool operation, always wear safety goggles or safety glasses with side shields and a full face shield when needed. We recommend a Wide Vision Safety Mask for use over eye-glasses or standard safety glasses with side shields.



To reduce the risk of injury, user must read the operator's manual.



**Wear Safety Footwear-**Wear non-slip safety footwear when using this equipment.



**Wear Protective Gloves-**Protect your hands with gloves when handling blade or blade guard.



**Beware of blade thrust-**Warn the operator of the danger of blade thrust.



**Line diameter-**The Diameter of the nylon cutting line



**Thrown objects can ricochet and result in personal injury or property damage. Ensure that other people and pets remain away from the brush cutter when it is in use.**



**Do not use in the rain or leave outdoors while it is raining.**



This product is in accordance with applicable EC directives.

V Voltage

.../min Per Minute

kg Kilogram

## SPECIFICATIONS

|  |                              |  |  |
|--|------------------------------|--|--|
|  | Trimmer head                 | 3-teeth blade                                  |  |
| Voltage  | 56 V $\overline{\text{---}}$ | 56 V $\overline{\text{---}}$                   |  |
| Recommended Operating Temperature:                                     | 0°C-40°C                     |  |  |
| Recommended Storage Temperature:                                       | -20°C-70°C                   |  |  |
| Optimum Charging Temperature   | 5°C-40°C                     |  |  |
| No-load speed  | 5000/6000 min <sup>-1</sup>  | 5000/6000 min <sup>-1</sup>                    |  |
| Cutting Line Type  | 2.4mm                        | /  |  |
| Cutting blade  | /                            | ABB1203  |  |
| Cutting Width  | 38 cm                        | 30cm   |  |
| Weight (Without battery pack)  | 4.21Kg                       | 4.45 kg  |  |
| Measured sound power level L <sub>WA</sub>                             | 94.6 dB(A)<br>K=1.8 dB(A)    | 96.5 dB(A)<br>K=1.88 dB(A)                     |  |
| Sound pressure level at operator's ear L <sub>PA</sub>                 | 81.7 dB(A)<br>K=2.5 dB(A)    | 76.5 dB(A)<br>K=3 dB(A)                        |  |
| Guaranteed sound power level L <sub>WA</sub> (according to 2000/14/EC) | 96 dB(A)                     | 98 dB(A)                                       |  |
| Vibration a <sub>h</sub>   | Front-assist Handle          | 3.2 m/s <sup>2</sup><br>K=1.5 m/s <sup>2</sup> | 2.8 m/s <sup>2</sup><br>K=1.6 m/s <sup>2</sup> |
|  | Rear Handle                  | 2.3 m/s <sup>2</sup><br>K=1.5 m/s <sup>2</sup> | 3.1 m/s <sup>2</sup><br>K=1.6 m/s <sup>2</sup> |

- The declared vibration total value has been measured in accordance with a standard test method and may be used for comparing one tool with another.
- The declared vibration total value may also be used in a preliminary assessment of exposure.

**NOTICE:** The vibration emission during actual use of the power tool can differ from the declared value in which the tool is used; In order to protect the operator, user should wear gloves and ear protectors in the actual conditions of use.

## DESCRIPTION

### KNOW YOUR LINE TRIMMER (Fig. A1)

1. Threshold Ring
2. Trigger
3. Rear Handle

4. Air Inlet
5. Lock-Off Button
6. High/low-Speed Switch
7. Shoulder-Strap Mount Hanger
8. Adjustable Front-Assist Handle
9. Shoulder Strap
10. Multi-Function Wrench
11. Hex Wrench
12. Trimmer Head (Bump Head)
13. Cutting Line
14. Release Tab
15. Line-Cutting Blade
16. Guard
17. Ejection Mechanism
18. Electric Contacts
19. Latch
20. Rubber Pad Protection
21. Battery-Release Button
22. Safety barrier bar (For brush cutter head only)
23. Locking pole for safety barrier bar (For brush cutter head only)
24. Out flange (For brush cutter head only)
25. Nut (For brush cutter head only)
26. Screws(For brush cutter head only)

## PACKING LIST

| PART NAME                    | QUANTITY |
|------------------------------|----------|
| Line Trimmer                 | 1        |
| Guard                        | 1        |
| Front-assist handle assembly | 1        |
| Hex wrench                   | 1        |
| Multi-function wrench        | 1        |
| Shoulder strap               | 1        |
| Operator's manual            | 1        |
| Locking pole                 | 1        |
| Out flange                   | 1        |
| Nut                          | 1        |
| screw                        | 2        |

## ASSEMBLY

### MOUNTING THE GUARD

1. Loosen and remove the two screws from the guard (Fig. B).

- Align the guard mounting holes with the assembly holes and then lock the guard onto the shaft base with the two screws, together with two spring washers (Fig. C).

**NOTICE:** Make sure the guard is fixed according to Fig. B & C, any reverse fixing will cause great danger!

### MOUNTING AND ADJUSTING THE FRONT-ASSIST HANDLE

- Loosen the locking pole in the front-assist handle and remove the locking pole and wing nut from the front-assist handle (Fig.D).

**NOTICE:** Install the safety barrier bar assembly onto the loop handle with the two screws when the tool is equipped with brush cutter head.

**NOTICE:** there are two kinds of locking pole, the shorter one is for use with the trimmer head. The longer one is for use with the brush cutter head. Be careful to choose the correct locking pole when using the tool.

|     |                     |     |   |
|-----|---------------------|-----|---|
| D-1 | Front assist-handle | D-4 | Safety barrier bar (Only for brush cutter head) |
| D-2 | Clamping block      | D-5 | Locking pole                                    |
| D-3 | Wing nut            |     |   |

- Push the front handle onto the shaft at the front of threshold ring. Never place it between the threshold ring and rear handle area (Fig. E).
- Insert the clamping block into the handle slot (Fig. F).
- Mount the locking pole, and pre-tighten them with the wing nut. Make sure that the front-assist handle is upwards and points toward the top of the rear handle (Fig. G).
- Adjust the front-assist handle between the threshold ring and the label to make sure your front arm is straight when operating (Fig. H).
- Lock the lever of the locking pole. (Fig. I).

**⚠ WARNING:** The tool cannot be used without the front-assist handle securely fixed.

### MOUNTING THE SHOULDER STRAP

Depress the strap hook to open it and attach it onto the shoulder-strap mount hanger (Fig. J).

## OPERATION

**⚠ WARNING:** Always wear safety goggles or safety glasses with side shield, along with hearing protection.

Failure to do so could result in objects being thrown into your eyes and other possible serious injuries.

You may use this product for the purposes listed below:

**Trimming:** use for removing grass and weeds up against walls, fences, trees and borders.

**Cutting:** use for cutting the grass that is difficult to reach using a normal mower.

**NOTICE:** The tool is to be used only for its prescribed purpose. Any other use, for example edge trimming, is deemed to be a case of misuse.

### ATTACHING/DETACHING THE BATTERY PACK

Use only with battery packs and chargers listed in Fig.A2

#### Fully charge before first use

#### To Attach

Align the battery ribs with the mounting slots and press the battery pack down until you hear a “click” (Fig. K).

#### To Detach

Depress the battery-release button and pull the battery pack out as Fig. L shown.

|     |                         |
|-----|-------------------------|
| L-1 | Battery- Release button |
|-----|-------------------------|

### HOLDING THE LINE TRIMMER

For safe and better operation, put on the shoulder strap across the shoulder as Fig. N. Adjust the shoulder strap in a comfortable operating position. Hold the line trimmer with both hands: One hand on the rear handle and the other hand on the front-assist handle.

**NOTICE:** The trimmer head is parallel to the ground at a proper cutting distance without the operator bending over (Fig. N).

There are two ways to release the strap. Take it away from your shoulder directly (Fig. O) or press the hook of the strap and take it apart from the shoulder-strap mount hanger fixed on the shaft (Fig. P).

**⚠ WARNING:** The shoulder strap is also a quick release mechanism in a hazardous situation. When an emergency occurs, take it off from your shoulder immediately, no matter what way the strap is in.

### STARTING/STOPPING THE LINE TRIMMER (Fig. M)

#### To Start

Press down the lock-off lever then depress the trigger. Different pressure on the trigger results in variable rotating speed of the cutting line. More pressure, higher speed.



**To Stop**

Release the trigger.

**NOTICE:** The motor runs only when the lock-off button and trigger are both pressed.

**Speed Adjustment Function (Fig. M)**

The line trimmer has two speeds. Position “1” is for low speed while Position “2” for high speed.

|     |                       |
|-----|-----------------------|
| M-1 | High/low-Speed Switch |
| M-2 | Lock-Off Button       |
| M-3 | Trigger               |

**USING THE LINE TRIMMER**

Clear the area to be cut before each use. Remove all objects, such as rocks, broken glass, nails, wire, or line, that can be thrown or become entangled in the cutting attachment. Clear the area of children, bystanders, and pets. At a minimum, keep all children, bystanders and pets at least 15m away; there still may be risk to bystanders from thrown objects. Bystanders should be encouraged to wear eye protection. If you are approached, stop the motor and cutting attachment immediately.

**Before each use, check for damage/worn parts**

Check the bump head, guard and front-assist handle and replace the parts that are cracked, warped, bent, or damaged in any way.

The line-cutting blade on the edge of the guard can dull over time. It is recommended that you periodically sharpen with a file or replace it with a new blade.

**After each use, clean the trimmer.**
**ADJUSTING CUTTING LINE LENGTH**

The trimmer head allows the operator to release more cutting line without stopping the motor. As line becomes frayed or worn, additional line can be released by lightly tapping the trimmer head on the ground while operating the trimmer (Fig. Q).

**NOTICE:** Line release will become more difficult as the cutting line becomes shorter.

**⚠ WARNING:** Do not remove or alter the line cutting blade assembly. Excessive line length will cause the motor to overheat and may result in serious personal injury.

**LINE REPLACEMENT**

**NOTICE:** Always use the recommended nylon cutting line with a diameter that does not exceed 2.4 mm. Using line other than that specified may cause the line trimmer to overheat or become damaged.

**⚠ WARNING:** Never use metal-reinforced line, wire, or rope, etc. These can break off and become dangerous projectiles.

1. Remove the battery pack.
2. Remove the remaining cutting line, if necessary.
3. Cut 4m long cutting line, Insert the line into the mounting hole inside the eyelet (Fig. R). Push and pull the line from the other side until equal amounts of line appear on both sides of the spool.
4. Press, while rotating the lower cover assembly in the arrow direction, to wind the line onto the spool until approximately 14cm of line is showing on each side (Fig. S).
5. Push the lower cover assembly down while pulling on the lines to manually advance the line and to check for proper assembly of the trimmer head.

When the cutting line breaks from the line outlet or the cutting line is not released when the trimmer head is tapped, follow the steps below:

1. Press the release tabs on the upper cover and remove the lower cover assembly by pulling it straight out (Fig. T & U).
2. Remove the cutting line from the spool .
3. With one hand holding the lower cover assembly, use the other hand to grasp the lower cover assembly and align the tabs on the upper cover with the holes in the lower cover assembly (Fig. V); Use your palm to press the lower cover assembly until the tabs lock with the upper cover.
4. Follow the instructions in “LINE REPLACEMENT” to reload the cutting line.

**3-TEETH BLADE REPLACEMENT**

1. Remove the lower cover assembly as Fig. T & U
2. Insert the stabilizer then use an impact socket wrench to loosen the nut as Fig. X1 & X2.
3. Remove all parts except inner flange and nut (Fig. X3), mount the blade onto the motor shaft as fig. X4.
4. Tighten the blade as Fig. X5.

## EN MAINTENANCE

**⚠ WARNING:** When servicing, use only identical replacement parts. Inspect and maintain the machine regularly. To ensure safety and reliability, all repairs should be performed by a qualified service technician.

**⚠ WARNING:** To prevent serious personal injury, remove the battery pack from the tool before servicing, cleaning, changing add-on attachments or removing material from the unit.

**⚠ CAUTION:** Obstructions in the vents will prevent the air from flowing into the motor housing and result in overheating or damaged of the motor.

### CLEANING THE UNIT

- Clean the unit using a damp cloth with a mild detergent. Never let any liquid get inside the tool; never immerse any part of the tool into a liquid.
- Do not use any strong detergents on the plastic housing or the handle. They can be damaged by certain aromatic oils, such as pine and lemon, and by solvents such as kerosene. Moisture can also cause a shock hazard. Wipe off any moisture with a soft dry cloth.
- Use a small brush or the air discharge of a small vacuum cleaner brush to clean the air vents on the rear housing.
- Keep air vents in the motor housing from debris at all times.

### TRANSMISSION GEARS LUBRICATION

The transmission gears in the gear case need be lubricated periodically with gear grease. Check the gear case grease level about every 50 hours of operation by removing the sealing screw on the side of the case.

If no grease can be seen on the flanks of the gear, follow the steps below to fill with gear grease up to 3/4 capacity. Do not completely fill the transmission gears.

1. Hold the line trimmer on its side so that the sealing screw is facing upwards (Fig. W).
2. Use the multi-function wrench provided to loosen and remove the sealing screw.
3. Use a grease syringe (not included) to inject some grease into the screw hole; do not exceed 3/4 capacity.
4. Tighten the sealing screw after injection.

### STORING THE UNIT

- Remove the battery pack from the line trimmer when it is not in use.
- Clean the tool thoroughly before storing it.
- Store the unit in a dry, well-ventilated area, locked-up or up high, out of the reach of children. Do not store the unit on or adjacent to fertilisers, petrol, or other chemicals.

### Protecting the environment



Do not dispose of electrical equipment, used battery and charger into household waste! Take this product to an authorized recycler and make it available for separate collection. Electric tools must be returned to an environmentally compatible recycling facility.

## TROUBLESHOOTING

EN

| PROBLEM                           | CAUSE  | SOLUTION  |
|-----------------------------------|--|---|
| Line trimmer fails to start.      | <ul style="list-style-type: none"> <li>■ The battery pack is not attached to the trimmer.</li> <li>■ No electrical contact between the trimmer and battery.</li> <li>■ The battery pack is depleted.</li> <li>■ The lock-off button and trigger are not depressed simultaneously.</li> </ul>   | <ul style="list-style-type: none"> <li>■ Attach the battery pack to the trimmer.</li> <li>■ Remove battery, check contacts and reinstall the battery pack.</li> <li>■ Charge the battery pack.</li> <li>■ Press down the lock-off button and hold it, then depress the trigger to turn on the line trimmer.</li> </ul>  |
| Line trimmer stops while cutting. | <ul style="list-style-type: none"> <li>■ The guard is not mounted on the trimmer, resulting in an overly long cutting line and motor overload.</li> <li>■ Heavy cutting line is used.</li> <li>■ The motor shaft or trimmer head is bound with grass.</li> <li>■ The motor is overloaded.</li> <li>■ The battery pack or line trimmer is too hot.</li> <li>■ The battery pack is disconnected from the tool.</li> <li>■ The battery pack is depleted.</li> </ul> | <ul style="list-style-type: none"> <li>■ Remove the battery pack and mount the guard on the trimmer.</li> <li>■ Use recommended nylon cutting line with diameter no more than 2.4 mm.</li> <li>■ Stop the trimmer, remove the battery, and remove the grass from the motor shaft and trimmer head.</li> <li>■ Remove the trimmer head from the grass. The motor will recover to work as soon as the load is removed. When cutting, move the trimmer head in and out of the grass to be cut and remove no more than 20 cm of length in a single cut.</li> <li>■ Allow the battery pack or trimmer to cool until the temperature drops below 67°C.</li> <li>■ Re-install the battery pack.</li> <li>■ Charge the battery pack.</li> </ul> |

**EN**

| PROBLEM  | CAUSE   | SOLUTION  |
|--|---|---|
| Trimmer head will not advance line.  | <ul style="list-style-type: none"><li>■ The motor shaft or trimmer head is bound with grass.</li><li>■ There is not enough line on the spool.</li><li>■ The trimmer head is dirty.</li><li>■ The line is tangled on the spool.</li><li>■ The line is too short.</li></ul> | <ul style="list-style-type: none"><li>■ Stop the trimmer, remove the battery, and clean the motor shaft and trimmer head.</li><li>■ Remove the battery and replace the cutting line; follow the section “LINE REPLACEMENT” in this manual.</li><li>■ Remove the battery and clean the trimmer head.</li><li>■ Remove the battery, remove the line from the trimmer head and rewind; follow the section “RELOAD THE CUTTING LINE” in this manual.</li><li>■ Remove the battery and pull the lines manually while alternately pressing down and releasing the trimmer head.</li></ul> |
| Grass wraps around trimmer head and motor housing.                                   | <ul style="list-style-type: none"><li>■ Cutting tall grass at ground level.</li></ul>   | <ul style="list-style-type: none"><li>■ Cut tall grass from the top down, removing no more than 20 cm in each pass to prevent wrapping.</li></ul>   |
| Cracks on the trimmer head or the lower cover assembly comes loose from upper cover. | <ul style="list-style-type: none"><li>■ The trimmer head is worn out.</li></ul>   | <ul style="list-style-type: none"><li>■ Replace the trimmer head immediately performed by a qualified service technician.</li></ul>   |

## WARRANTY

### EGO WARRANTY POLICY

Please visit the website [egopowerplus.com](http://egopowerplus.com) for full terms and conditions of the EGO Warranty policy.

## LESEN SIE ALLE ANWEISUNGEN!



### LESEN SIE DIE BETRIEBSANLEITUNG

**! WARNUNG:** Restrisiko! Menschen mit elektronischen Geräten, wie z.B. Herzschrittmachern, sollten ihren Arzt konsultieren, bevor sie dieses Gerät verwenden. Die Bedienung von Elektrogeräten in unmittelbarer Nähe zu Herzschrittmachern kann zu Interferenzen und Störungen des Schrittmachers führen.



Sicherheitswarnung



Augenschutz tragen - Tragen Sie immer eine Schutzbrille, möglichst mit Seitenschutz, und einen Vollgesichtsschutz, wenn Sie mit diesem Gerät arbeiten.



Tragen Sie einen Gehörschutz - Tragen Sie beim Einsatz des Geräts immer einen Gehörschutz.



Kopfschutz tragen - Tragen Sie einen geprüften Helm, um Ihren Kopf zu schützen.



Keine runden Messer montieren.



Breite - Die max. Schnittbreite des Rasentrimmers



Bei Einsatz des Rasentrimmers müssen andere Personen und Haustiere einen Abstand von mindestens 15 m vom Rasentrimmer einhalten.



Garantierter Schalleistungspegel. Geräuschemission an die Umgebung gemäß Richtlinie der Europäischen Gemeinschaft.



Elektrische Altgeräte dürfen nicht im Hausmüll entsorgt werden. Bringen Sie das Gerät zu einem Wertstoffhof.

$n_0$

Leerlaufdrehzahl-Drehzahl im Leerlauf



Gleichstrom

## WARNSYMBOL

**! WARNUNG:** Beim Betrieb von Elektrowerkzeugen besteht die Gefahr, dass Fremdkörper in Ihre Augen geschleudert werden und Sie dadurch schwerwiegende Augenschäden davontragen. Tragen Sie immer eine Schutzbrille, wenn möglich mit Seitenschutz, oder, falls nötig, einen vollen Gesichtsschutz, bevor Sie Arbeiten mit dem Elektrowerkzeug verrichten. Wir empfehlen Ihnen, einen Gesichtsschutz über Ihrer eigenen Brille oder eine herkömmliche Schutzbrille mit Seitenschutz zu tragen.



Um das Verletzungsrisiko zu verringern, muss der Benutzer die Bedienungsanleitung lesen.



Schutzschuhe tragen - Tragen Sie beim Gebrauch dieses Gerätes rutschfeste Sicherheitsschuhe.



Schutzhandschuhe tragen - Schützen Sie Ihre Hände beim Umgang mit dem Messer oder dem Schneidschutz, indem Sie Handschuhe anziehen.



Vorsicht Rückschlaggefahr - Warnen Sie den Benutzer vor den Gefahren eines Rückschlags durch das Messer.



Durchmesser - Der Durchmesser des Nylonfadens



Herumgeschleuderte Objekte können abprallen und Verletzungen oder Sachschäden verursachen. Stellen Sie bei Betrieb sicher, dass andere Personen und Haustiere sich von dem Gestrüppschneider fernhalten.



Nicht im Regen verwenden oder bei Regen im Freien liegen lassen.



Dieses Produkt erfüllt die einschlägigen EG-Richtlinien.

V Spannung

.../min pro Minute

kg Kilogramm

DE

## TECHNISCHE DATEN

|   |                             |  |
|---|-----------------------------|--|
|   | Mähkopf                     | 3-Flügel-Messer                                |
| Spannung  | 56 V $\text{---}$           | 56 V $\text{---}$                              |
| Empfohlene Betriebstemperatur:                                | 0°C-40°C                    |  |
| Empfohlene Lager-temperatur:                                  | -20°C-70°C                  |  |
| Optimale Ladetemperatur                                       | 5°C-40°C                    |  |
| Leertaufdrehzahl  | 5000/6000 min <sup>-1</sup> | 5000/6000 min <sup>-1</sup>                    |
| Trennfaden  | 2,4mm                       | /  |
| Messer  | /                           | ABB1203  |
| Schnittbreite   | 38 cm                       | 30cm   |
| Gewicht (ohne Akkusatz)                                       | 4,21Kg                      | 4,45 kg  |
| Gemessener Schallleistungspegel $L_{WA}$                      | 94,6 dB(A)<br>K=1,8 dB(A)   | 96,5 dB(A)<br>K=1,88 dB(A)                     |
| Schalldruckpegel am Ohr des Bedieners $L_{PA}$                | 81,7 dB(A)<br>K=2,5 dB(A)   | 76,5 dB(A)<br>K=3 dB(A)                        |
| Garantierter Schallleistungspegel $L_{WA}$ (gemäß 2000/14/EG) | 96 dB(A)                    | 98 dB(A)                                       |
| Vibration $a_h$   | Vorderer Haltegriff         | 3,2 m/s <sup>2</sup><br>K=1,5 m/s <sup>2</sup> |
|   | Hinterer Griff              | 2,3 m/s <sup>2</sup><br>K=1,5 m/s <sup>2</sup> |
|   |                             | 2,8 m/s <sup>2</sup><br>K=1,6 m/s <sup>2</sup> |
|   |                             | 3,1 m/s <sup>2</sup><br>K=1,6 m/s <sup>2</sup> |

- Der angegebene Vibrationsgesamtwert wurde nach einem Standard-Prüfverfahren gemessen und kann zum Vergleich mit einem anderen Werkzeug herangezogen werden.
- Der angegebene Vibrationsgesamtwert kann auch zur vorläufigen Risikobewertung herangezogen werden.

**HINWEIS:** Die beim Einsatz des Elektrowerkzeugs entstehenden Istvibrationen können von dem angegebenen Wert abweichen. Zum Schutz des Benutzers sollten Handschuhe und ein Gehörschutz während des Geräteinsatzes getragen werden.

## BESCHREIBUNG

### AUFBAU (Abb. A1)

- Anschlagring
- Auslöser
- Hinterer Griff

- Lufteinlass
- Entriegelungsschalter
- Drehzahlschalter Hoch/Niedrig
- Schultergurt-Halterring
- Verstellbarer vorderer Haltegriff
- Schultergurt
- Multifunktionsschlüssel
- Sechskantschlüssel
- Mähkopf (Fadenkopf)
- Mähfaden
- Freigabelasche
- Fadenmesser
- Fadenschutz
- Auswurfmechanismus
- Elektrische Kontakte
- Verschluss
- Gummischutzpolster
- Akku-Freigabeknopf
- Schneidschutz (nur für Freischneideaufsatz)
- Verriegelungsstift für Schneidschutz (nur für Freischneideaufsatz)
- Äußerer Flansch (nur für Freischneideaufsatz)
- Mutter (nur für Freischneideaufsatz)
- Schrauben (nur für Freischneideaufsatz)

## PACKLISTE

| BEZEICHNUNG DES TEILS   | MENGE |
|-------------------------|-------|
| Rasentrimmer            | 1     |
| Fadenschutz             | 1     |
| Vorderer Haltegriff     | 1     |
| Sechskantschlüssel      | 1     |
| Multifunktionsschlüssel | 1     |
| Schultergurt            | 1     |
| Bedienungsanleitung     | 1     |
| Verriegelungsstift      | 1     |
| Äußerer Flansch         | 1     |
| Mutter                  | 1     |
| Schraube                | 2     |

## MONTAGE

### MONTIEREN DES FADENSCHUTZES

- Montieren Sie die beiden Schrauben vom Fadenschutz ab (Abb. B).
- Lassen Sie die Montagebohrungen am Fadenschutz mit den Haltelöchern fluchten. Schrauben Sie den Fadenschutz anschließend mit den beiden Schrauben

und Federscheiben am Schaftende an (Abb. C).

**HINWEIS:** Vergewissern Sie sich, dass der Schutz wie in Abb. B und C befestigt ist. Eine falsche Montage ist sehr gefährlich!

### MONTIEREN DES VORDEREN HALTEGRIFFS

1. Lösen Sie den Arretierungsstift vom vorderen Haltegriff und entfernen Sie den Verriegelungsstift und die Flügelmutter vom vorderen Haltegriff (Abb. D).

**HINWEIS:** Bringen Sie den Schneidschutz mit den beiden Schrauben am Bügelgriff an, wenn der Freischneideaufsatz montiert ist.

**HINWEIS:** Es gibt zwei Verriegelungsstift-Ausführungen. Die kürzere ist für den Trimmerkopf. Die längere ist für den Freischneideaufsatz. Achten Sie beim Gebrauch des Geräts auf den richtigen Verriegelungsstift.

|     |                     |     |   |
|-----|---------------------|-----|---|
| D-1 | Vorderer Haltegriff | D-4 | Schneidschutz (nur für Freischneideaufsatz) |
| D-2 | Klemmvorrichtung    | D-5 | Verriegelungsstift                          |
| D-3 | Flügelmutter        |     |   |

2. Schieben Sie den vorderen Griff bis vor den Anschlagring auf die Welle. Bringen Sie ihn nie zwischen dem Anschlagring und dem hinteren Griffbereich an (Abb. E).
3. Schieben Sie das Klemmstück in die Aufnahme am Griff (Abb. F).
4. Stecken Sie den Arretierungsstift ein und spannen Sie ihn mit der Flügelmutter vor. Vergewissern Sie sich, dass der vordere Haltegriff nach oben und zur Oberseite des hinteren Griffs zeigt (Abb. G).
5. Verschieben Sie den vorderen Haltegriff so zwischen den Anschlagring und das Etikett, dass Ihr Arm beim Arbeiten gestreckt ist (Abb. H).
6. Schließen Sie den Hebel am Verriegelungsstift. (Abb. I).

**⚠️ WARNUNG:** Ohne fest montierten vorderen Haltegriff darf das Werkzeug nicht benutzt werden.

### BEFESTIGEN DES SCHULTERGURTS

Drücken Sie auf den Gurthaken, um ihn zu öffnen, und befestigen Sie ihn auf dem Schultergurthalter (Abb. J).

## BEDIENUNG

**⚠️ WARNUNG:** Tragen Sie immer eine Schutz- oder Sicherheitsbrille mit Seitenschutz und einen Gehörschutz. Andernfalls könnte etwas in Ihre Augen geschleudert werden und schwere Verletzungen verursachen.

Sie können dieses Produkt für die unten aufgeführten Zwecke einsetzen:

**Trimmen:** Entfernen von Gras und Unkraut an Wänden, Zäunen, Bäumen und Rändern.

**Schneiden:** Zum Schneiden von Rasen, der mit einem normalen Rasenmäher schwer zugänglich ist.

**HINWEIS:** Das Gerät darf nur für den bestimmungsgemäßen Zweck verwendet werden. Jede andere Verwendung, zum Beispiel Kantentrimmen, gilt als Zweckentfremdung.

### ANBRINGEN/ABNEHMEN DES AKKUS

Nur mit akkus und ladegeräten verwenden, die in abb. A2 aufgeführt sind.

**Laden Sie den Akku vor dem ersten Gebrauch voll auf.**

#### Anbringen

Lassen Sie die Rippen am Akkugehäuse mit den Öffnungen am Gerät fluchten und schieben Sie den Akku bis zum hörbaren Einrasten in das Gerät (Abb. K).

#### Abnehmen

Drücken Sie die Batterieentriegelung und ziehen Sie den Akku heraus (siehe Abb. L).

|     |                    |
|-----|--------------------|
| L-1 | Akku-Freigabeknopf |
|-----|--------------------|

### HALTEN DES RASENTRIMMERS

Legen Sie zum sicheren und einfacheren Arbeiten den Schultergurt an, wie in Abb. N zu sehen. Passen Sie den Schultergurt so an, dass er beim Arbeiten bequem sitzt. Halten Sie den Rasentrimmer mit beiden Händen fest: Eine Hand am hinteren Griff und die andere am vorderen Haltegriff.

**HINWEIS:** Wenn sich der Mähkopf parallel zum Boden und im richtigen Schneideabstand befindet, soll der Bediener aufrecht stehen (Abb. N).

Es gibt zwei Möglichkeiten den Schultergurt zu lösen. Ziehen Sie den Gurt entweder direkt über den Kopf (Abb. O) oder klinken Sie den Gurthaken aus dem am Schaft befestigten Haltering aus (Abb. P).

**⚠️ WARNUNG:** Der Schultergurt ist zudem ein Schnelllösemechanismus, der in gefährlichen Situationen auslöst. Nehmen Sie ihn bei einem Notfall sofort von Ihrer Schulter, ganz gleich in welcher Weise der Schultergurt umgelegt ist.

## START/STOPP DES RASENTRIMMERS (Abb. M)

### Starten

Drücken Sie den Entriegelungshebel und dann den Auslöser. Durch Ändern des Drucks auf den Auslöser wird die Drehzahl des Mähfadens geregelt. Je mehr Druck, desto höher die Drehzahl.

### Stoppen

Lassen Sie den Auslöser los.

**HINWEIS:** Der Motor läuft nur, wenn der Entriegelungsschalter und der Auslöser gleichzeitig gedrückt werden.

### Drehzahlverstellung (Abb. M)

Der Rasentrimmer hat zwei Drehzahlen. Position „1“ entspricht der niedrigen Drehzahl und Position „2“ der hohen Drehzahl.

|     |                               |
|-----|-------------------------------|
| M-1 | Drehzahlschalter Hoch/Niedrig |
| M-2 | Entriegelungsschalter         |
| M-3 | Auslöser                      |

## VERWENDUNG DES RASENTRIMMERS

Räumen Sie den Arbeitsbereich vor jedem Einsatz auf. Entfernen Sie alle Gegenstände, wie z.B. Steine, zerbrochenes Glas, Nägel, Drähte oder Fäden, die vom Gerät umhergeschleudert werden oder sich in der Schneidvorrichtung verfangen könnten. Halten Sie Kinder, Passanten und Haustiere von dem Bereich fern. Halten Sie einen Mindestabstand von 15 m zu Kindern, Passanten und Haustieren ein; auch dann besteht noch Gefahr durch umhergeschleuderte Gegenstände. Schaulustige sollten gebeten werden, Schutzbrillen aufzusetzen. Wenn jemand auf Sie zukommt, stellen Sie den Motor und das Schneidwerkzeug sofort ab.

### Prüfen Sie vor jedem Gebrauch auf Schäden/ abgenutzte Teile

Prüfen Sie den Fadenkopf, den Fadenschutz und den vorderen Haltegriff und ersetzen Sie gerissene, verzogene, verbogene oder anders beschädigte Teile.

Das Fadennesser am Fadenschutzrand wird im Laufe der Zeit stumpf. Es sollte daher regelmäßig mit einer Feile nachgeschliffen oder durch ein neues Messer ersetzt werden.

### Reinigen Sie den Rasentrimmer nach jedem Gebrauch.

## EINSTELLEN DER FADENLÄNGE

Der Mähkopf ermöglicht dem Benutzer, den Mähfaden zu verlängern, ohne den Motor anzuhalten. Wenn der Faden ausgefranst oder abgenutzt ist, kann mehr Faden freigegeben werden, indem Sie mit dem Mähkopf beim Trimmen leicht auf den Boden klopfen (Abb. Q).

**HINWEIS:** Das Nachführen des Fadens wird umso schwerer, je kürzer der Faden wird.

**⚠️ WARNUNG:** Der Faden- und Messer-Mechanismus darf nicht verändert oder beseitigt werden. Zu viel Fadenlänge führt zu einer Überhitzung des Motors und kann schwere Verletzungen nach sich ziehen.

## AUSWECHSELN DES FADENS

**HINWEIS:** Verwenden Sie immer den empfohlenen Nylon-Mähfaden mit höchstens 2,4 mm Durchmesser. Bei Verwendung eines anderen Fadens kann der Trimmer überhitzen oder beschädigt werden.

**⚠️ WARNUNG:** Verwenden Sie niemals mit Draht oder Metall verstärkte Fäden o. ä. Diese können abbrechen und zu gefährlichen Geschossen werden.

1. Entfernen Sie den Akkusatz.
2. Entfernen Sie die Mähfadenreste soweit zutreffend.
3. Schneiden Sie 4 m Mähfaden ab. Stecken Sie den Faden in das Loch in der Öse (Abb. R). Schieben Sie den Faden durch und ziehen Sie auf der anderen Seite heraus, bis die Fadenstücke auf beiden Seiten der Spule gleich lang sind.
4. Drücken Sie auf die untere Spulenabdeckungseinheit und wickeln Sie durch Drehen in Pfeilrichtung den Faden auf die Spule, bis auf beiden Seiten etwa 14 cm Faden überstehen (Abb. S).
5. Schieben Sie die untere Spulenabdeckungseinheit nach unten und ziehen Sie dabei an den Fäden, um den Faden von Hand vorwärts zu bewegen und die richtige Montage des Mähkopfs zu überprüfen.

Wenn der Mähfaden vom Fadenauslass abreißt oder wenn der Mähfaden beim Klopfen des Mähkopfs nicht freigegeben wird, ist wie folgt vorzugehen:

1. Drücken Sie die Freigabelaschen an der oberen Spulenabdeckung und entfernen Sie die untere Spulenabdeckungseinheit, indem Sie diese gerade herausziehen (Abb. T & U).
2. Entfernen Sie den Mähfaden aus der Spule.



- Halten Sie mit einer Hand die untere Spulenabdeckung, greifen Sie mit der anderen Hand die untere Spulenabdeckungseinheit und richten Sie die Laschen an der oberen Spulenabdeckung an den Löchern der unteren Spulenabdeckungseinheit (Abb. V) aus. Drücken Sie die untere Spulenabdeckungseinheit mit Ihrer Handfläche nach unten, bis die Laschen in der oberen Spulenabdeckung einrasten.
- Folgen Sie den Anweisungen im Abschnitt „AUSWECHSELN DES FADENS“, um den Mähfaden neu einzusetzen.

### WECHSEL DES FLÜGELMESSERS

- Entfernen Sie die untere Abdeckung wie in Abb. T & U gezeigt.
- Setzen Sie den Stabilisator ein und lösen Sie die Mutter wie in Abb. X1 & X2 mit einem Schlagschrauber.
- Montieren Sie alle Teile bis auf den Innenflansch und die Mutter ab (Abb. X3), und bringen Sie das Messer an der Motorwelle an (s. Abb. X4).
- Ziehen Sie das Messer fest (Abb. X5).

## WARTUNG

**⚠️ WARNUNG:** Verwenden Sie für die Wartung nur baugleiche Ersatzteile. Prüfen und warten Sie das Gerät regelmäßig. Um die Sicherheit und Zuverlässigkeit zu gewährleisten, sollten alle Reparaturen nur von qualifizierten Servicetechnikern durchgeführt werden.

**⚠️ WARNUNG:** Um schwere Verletzungen zu verhindern, entfernen Sie den Akku aus dem Werkzeug, bevor Sie das Gerät warten, reinigen, Aufsätze auswechseln oder Schnittgut aus dem Gerät entfernen.

**⚠️ VORSICHT:** Verstopfte Lüftungsschlitze verhindern, dass die Luft in das Motorgehäuse strömen kann. Das führt zu einer Überhitzung oder zu Motorschäden.

### REINIGEN DES GERÄTES

- Reinigen Sie das Gerät mithilfe eines feuchten Tuchs mit einem milden Reinigungsmittel. Keine Flüssigkeit im Werkzeug lassen. Das Werkzeug darf auf keinen Fall in Flüssigkeit getaucht werden.
- Benutzen Sie keine starken Reiniger am Kunststoffgehäuse oder am Griff. Die Teile können von bestimmten ätherischen Ölen, wie z. B. Kiefern- oder Zitronenöl und von Lösungsmitteln wie Petroleum angegriffen werden. Feuchtigkeit stellt zudem eine Stromschlaggefahr dar. Wischen Sie feuchte Stellen mit einem weichen trockenen Tuch ab.

- Reinigen Sie die Lüftungsschlitze am hinteren Gehäuse mit einer kleinen Bürste oder dem Luftstrom eines kleinen Staubsaugers.
- Halten Sie die Lüftungsschlitze im Motorgehäuse immer frei von Ablagerungen.

### SCHMIERUNG DES GETRIEBES

Das Getriebe im Getriebegehäuse muss regelmäßig mit Getriebefett geschmiert werden. Entfernen Sie etwa alle 50 Betriebsstunden die Dichtungsschraube auf der Gehäuseseite und überprüfen Sie den Schmiermittelstand im Getriebegehäuse.

Ist an den Zahnradflanken kein Fett zu sehen, gehen Sie nach den folgenden Anweisungen vor, um bis zu 3/4 des Volumens Getriebefett nachzufüllen. Getriebe nicht vollständig befüllen.

- Halten Sie den Rasentrimmer seitlich, sodass die Dichtungsschraube nach oben zeigt (Abb. W).
- Montieren Sie die Dichtungsschraube mit dem im Lieferumfang enthaltenen Multifunktionsschlüssel ab.
- Füllen Sie in die Schraubenöffnung mit einer Fettpresse (nicht mitgeliefert) maximal 3/4 des Volumens an Getriebefett ein.
- Ziehen Sie die Dichtungsschraube nach dem Auffüllen wieder fest.

### AUFBEWAHREN DES GERÄTES

- Nehmen Sie den Akku aus dem Rasentrimmer, wenn er nicht benutzt wird.
- Reinigen Sie das Werkzeug gründlich, bevor Sie es verstauen.
- Lagern Sie das Gerät an einem trockenen, gut belüfteten Ort, der sich abschließen lässt oder hoch gelegen und für Kinder unerreichbar ist. Bewahren Sie das Gerät nicht auf oder neben Düngemitteln, Benzin oder anderen Chemikalien auf.

### Schutz der Umwelt



Elektrogeräte, alte Akkus und Ladegeräte dürfen nicht im Hausmüll entsorgt werden! Das Gerät muss einer offiziellen Recycling-Sammelstelle zur getrennten Entsorgung zugeführt werden.

Elektrowerkzeuge müssen bei einer umweltfreundlichen Recycling-Einrichtung abgegeben werden. entally compatible recycling facility.

## STÖRUNGSBEHEBUNG

DE

| PROBLEM                                    | URSACHE  | LÖSUNG   |
|--|--|--|
| Rasentrimmer lässt sich nicht starten.     | <ul style="list-style-type: none"> <li>■ Der Akku ist nicht am Rasentrimmer angebracht.</li> <li>■ Kein elektrischer Kontakt zwischen Rasentrimmer und Akku.</li> <li>■ Der Akku ist leer.</li> <li>■ Der Entriegelungsschalter und der Auslöser wurden nicht gleichzeitig gedrückt.</li> </ul>  | <ul style="list-style-type: none"> <li>■ Akku am Rasentrimmer anschließen.</li> <li>■ Akku herausnehmen, Kontakte überprüfen und wieder anschließen.</li> <li>■ Akku aufladen</li> <li>■ Halten Sie den Entriegelungsschalter gedrückt und drücken Sie dann den Auslöser, um den Rasentrimmer einzuschalten.</li> </ul>  |
| Rasentrimmer hält während des Trimmens an. | <ul style="list-style-type: none"> <li>■ Der Fadenschutz ist nicht am Rasentrimmer montiert. Der Faden ist zu lang und belastet den Motor zu stark.</li> <li>■ Der eingesetzte Nylonfaden ist zu schwer.</li> <li>■ Der Motorschaft oder der Fadenkopf wird durch Gras blockiert.</li> <li>■ Der Motor ist überlastet.</li> <li>■ Der Akku oder der Rasentrimmer ist zu heiß.</li> <li>■ Akku ist nicht mit dem Werkzeug verbunden.</li> <li>■ Der Akku ist leer.</li> </ul> | <ul style="list-style-type: none"> <li>■ Entfernen Sie die Akku und montieren Sie den Fadenschutz am Trimmer.</li> <li>■ Verwenden Sie den empfohlenen Nylonmähfaden mit höchstens 2,4 mm Durchmesser.</li> <li>■ Stellen Sie den Rasentrimmer ab, entfernen Sie den Akku und beseitigen Sie das Gras am Motorschaft und am Fadenkopf.</li> <li>■ Nehmen Sie den Fadenkopf vom Rasen. Sobald sich die Belastung verringert, setzt der Motor seinen Betrieb wieder fort. Bewegen Sie den Trimmerkopf beim Schneiden in das Gras hinein und aus dem Gras heraus. Kürzen Sie dabei nicht mehr als 20 cm Länge mit einem Schnitt.</li> <li>■ Lassen Sie den Akku bzw. Trimmer unter 67° C abkühlen.</li> <li>■ Setzen Sie den Akku wieder ein.</li> <li>■ Akku aufladen</li> </ul> |

| PROBLEM  | URSACHE  | LÖSUNG  |
|--|--|---|
| Trimmerkopf führt keinen Faden nach.   | <ul style="list-style-type: none"> <li>■ Der Motorschaft oder der Fadenkopf wird durch Gras blockiert.</li> <li>■ Es ist nicht mehr genügend Faden in der Spule.</li> <li>■ Der Trimmerkopf ist verschmutzt.</li> <li>■ Der Mähfaden hat sich in der Spule verfangen.</li> <li>■ Der Faden ist zu kurz.</li> </ul> | <ul style="list-style-type: none"> <li>■ Stellen Sie den Rasentrimmer ab, nehmen Sie den Akku heraus, reinigen Sie den Motorschaft und den Mähkopf.</li> <li>■ Entfernen Sie den Akku und wechseln Sie den Trimmerfaden aus. Befolgen Sie dazu den Abschnitt „AUSWECHSELN DES FADENS“ in dieser Bedienungsanleitung.</li> <li>■ Entfernen Sie den Akkusatz und reinigen Sie den Mähkopf.</li> <li>■ Entfernen Sie den Akku, nehmen Sie den Faden aus dem Mähkopf und wickeln Sie ihn wieder auf. Befolgen Sie dazu den Abschnitt „AUSWECHSELN DES FADENS“ in dieser Bedienungsanleitung.</li> <li>■ Entfernen Sie den Akku und ziehen Sie mit der Hand am Faden. Drücken Sie den Mähkopf nach unten und lassen Sie ihn wieder los. Mehrmals wiederholen.</li> </ul> |
| Gras wickelt sich um den Trimmerkopf und das Motorgehäuse.   | <ul style="list-style-type: none"> <li>■ Hohes Gras wird auf Bodenebene geschnitten.</li> </ul>  | <ul style="list-style-type: none"> <li>■ Beim Mähen von hohem Gras ist zu beachten, dass in einem Durchgang nicht mehr als 20 cm gekürzt werden sollte, um ein Herumwickeln von Gras zu vermeiden.</li> </ul>   |
| Risse am Mähkopf oder die untere Spulenabdeckungseinheit löst sich von der oberen Spulenabdeckung. | <ul style="list-style-type: none"> <li>■ Der Mähkopf ist abgenutzt.</li> </ul>   | <ul style="list-style-type: none"> <li>■ Lassen Sie den Mähkopf unverzüglich durch einen qualifizierten Kundendiensttechniker austauschen.</li> </ul>   |

## GARANTIE

### EGO-GARANTIEBEDINGUNGEN

Sämtliche EGO Garantiebedingungen finden Sie auf der Website [egopowerplus.com](http://egopowerplus.com).

## LISEZ TOUTES LES INSTRUCTIONS!

FR



### LISEZ LE MANUEL D'UTILISATION

**⚠ AVERTISSEMENT:** Risques résiduels ! Les personnes portant des appareils électroniques, par exemple des stimulateurs cardiaques, doivent consulter leur(s) médecin(s) avant d'utiliser ce produit. L'utilisation d'un équipement électrique près d'un stimulateur cardiaque peut provoquer des interférences ou la panne du stimulateur cardiaque.



Alerte de sécurité



Porter une protection oculaire toujours porter un masque de sécurité ou des lunettes de sécurité avec boucliers latéraux et un masque facial intégral lors de l'utilisation de ce produit.



Porter une protection auditive toujours porter une protection auditive pendant l'utilisation de ce produit.



Porter une Protection de la Tête porter un casque de sécurité homologué pour protéger votre tête.



Ne pas installer de lame de coupe ronde.



Largeur : largeur de coupe maximale du taille-bordure



Veiller à ce que les autres personnes et les animaux restent éloignés d'au moins 15 m du taille-bordure pendant son utilisation.



Niveau de puissance acoustique garanti. Émission de bruit dans l'environnement conformément à la directive CE.



Les produits électriques usagés ne doivent pas être jetés avec les ordures ménagères. Apportez-les dans un centre de recyclage agréé.

$n_0$

Régime à vide-Vitesse de rotation sans charge



Courant continu

## SYMBOLES DE SÉCURITÉ

**⚠ AVERTISSEMENT:** L'utilisation d'un outil électrique peut provoquer la projection d'objets étrangers dans vos yeux, ce qui peut provoquer des lésions oculaires graves. Avant de commencer à utiliser l'outil électrique, portez toujours un masque de sécurité ou des lunettes de sécurité avec des protections latérales et une visière complète si nécessaire. Nous vous recommandons de porter un Masque de Sécurité à Vision Panoramique par-dessus des lunettes de vue ou des lunettes de sécurité standards avec des protections latérales.



Pour réduire le risque de blessures, l'utilisateur doit lire la notice d'utilisation.



Porter des Chaussures de Sécurité porter des chaussures de sécurité antidérapantes pendant l'utilisation de cet équipement.



Porter des Gants Protecteurs protéger vos mains avec des gants pendant la manipulation des lames.



Prendre garde au rebond de lame. mettre en garde l'opérateur contre le danger de rebond de lame.



Diamètre : le diamètre du fil de coupe en nylon.



Des objets projetés peuvent ricocher et provoquer des blessures corporelles ou des dommages matériels. Toujours veiller à ce que les autres personnes et les animaux restent éloignés de la débroussailleuse pendant son utilisation.



Ne pas utiliser sous la pluie et ne pas laisser dehors quand il pleut.



Ce produit est conforme aux directives CE applicables.

V Tension

.../min Par minute

kg Kilogramme

## SPÉCIFICATIONS

|   | Tête de coupe                 | Lame à trois dents                             |   |
|---|-------------------------------|--|---|
| Tension   | 56 V                          | 56 V   |   |
| Température d'utilisation recommandée   | 0°C-40°C                      |  |   |
| Température de stockage recommandée   | -20°C-70°C                    |  |   |
| Température de recharge optimale  | 5°C-40°C                      |  |   |
| Régime à vide   | 5000/6000 min <sup>-1</sup>   | 5000/6000 min <sup>-1</sup>                    |   |
| Type de fil de coupe  | 2,4mm                         | /  |   |
| Lame  | /                             | ABB1203  |   |
| Largeur de coupe  | 38cm                          | 30cm   |   |
| Poids (sans la batterie)  | 4,21Kg                        | 4,45 kg  |   |
| Niveau de puissance acoustique mesuré L <sub>WA</sub>                               | 94,6 dB(A)<br>K=1,8 dB(A)     | 96,5 dB(A)<br>K=1,88 dB(A)                     |   |
| Niveau de pression acoustique au niveau des oreilles de l'opérateur L <sub>PA</sub> | 81,7 dB(A)<br>K=2,5 dB(A)     | 76,5 dB(A)<br>K=3 dB(A)                        |   |
| Niveau de puissance acoustique garanti L <sub>WA</sub> (selon 2000/14/CE)           | 96 dB(A)                      | 98 dB(A)                                       |   |
| Vibration a <sub>h</sub>  | Poignée d'assistance frontale | 3,2 m/s <sup>2</sup><br>K=1,5 m/s <sup>2</sup> | 2,8 m/s <sup>2</sup><br>K=1,6 m/s <sup>2</sup>  |
|   | Poignée arrière               | 2,3 m/s <sup>2</sup><br>K=1,5 m/s <sup>2</sup> | 3,1 m/s <sup>2</sup><br>K=1,16 m/s <sup>2</sup> |

- La valeur totale des vibrations indiquée a été mesurée selon une procédure conforme à une méthode de test standardisée et peut servir pour comparer différents outils.
- La valeur totale des vibrations déclarée peut également servir pour effectuer une évaluation préliminaire de l'exposition.

**REMARQUE:** Le niveau de vibrations lors de l'utilisation réelle de l'outil peut être différent de la valeur déclarée totale en fonction de la manière dont l'outil est utilisé ; Afin de protéger l'opérateur, l'utilisateur doit porter des gants et des protecteurs d'oreilles en conditions réelles d'utilisation.

## DESCRIPTION

**DESCRIPTION DE VOTRE TAILLE-BORDURE (Image A1)**

1. Anneau du manche
2. Interrupteur-gâchette
3. Poignée arrière
4. Entrée d'air
5. Bouton de déverrouillage
6. Bouton de vitesse
7. Boucle d'accrochage de la sangle d'épaule
8. Poignée auxiliaire avant réglable
9. Sangle d'épaule
10. Clé Multifonction
11. Clé à six pans
12. Tête de coupe
13. Fil de coupe
14. Languette de déblocage
15. Lame de coupe du fil
16. Capot de protection
17. Mécanisme d'éjection
18. Contacts électriques
19. Verrou
20. Protection en caoutchouc
21. Bouton d'éjection de la batterie
22. Barre de sécurité (pour tête de débroussailleuse uniquement)
23. Levier de verrouillage pour barre de sécurité (pour tête de débroussailleuse uniquement)
24. Bride extérieure (pour tête de débroussailleuse uniquement)
25. Écrou (pour tête de débroussailleuse uniquement)
26. Vis (pour tête de débroussailleuse uniquement)

FR

## CONTENU DE L'EMBALLAGE

| NOM DES PIÈCES           | QUANTITÉ |
|--------------------------|----------|
| Taille-bordure           | 1        |
| Capot de protection      | 1        |
| Poignée auxiliaire avant | 1        |
| Clé à six pans           | 1        |
| Clé multifonctions       | 1        |
| Sangle d'épaule          | 1        |
| Manuel d'utilisation     | 1        |
| Levier de verrouillage   | 1        |
| Bride extérieure         | 1        |
| Écrou                    | 1        |

## ASSEMBLAGE

### ASSEMBLER LE CAPOT DE PROTECTION

1. Desserrez et retirez les deux vis du capot de protection (Image B).
2. Alignez les trous de fixation du capot de protection sur les trous de la pièce, puis verrouillez le capot sur la base du manche avec les deux vis et deux rondelles à ressort (Image C).

**REMARQUE:** Vérifiez que le capot de protection est fixé comme montré sur les images B et C, un montage inversé est très dangereux !

### INSTALLATION ET RÉGLAGE DE LA POIGNÉE DE MANŒUVRE AVANT

1. Desserrez le levier de verrouillage sur la poignée auxiliaire avant et retirez-le en même temps que l'écrou papillon (Image D).

**REMARQUE:** Montez la barre de sécurité sur le guidon avec les deux vis lorsque l'outil est équipé d'une tête de débroussailluse.

**REMARQUE:** Il existe deux types de leviers de verrouillage, le plus court est pour la tête de taille-bordure. Le plus long est prévu pour la tête de débroussailluse. Veillez à choisir le bon levier de verrouillage lorsque vous utilisez l'outil.

|     |                           |     |   |
|-----|---------------------------|-----|---|
| D-1 | Poignée de manœuvre avant | D-4 | Barre de sécurité (pour tête de débroussailluse uniquement) |
| D-2 | Bloc de fixation          | D-5 | Levier de verrouillage                                      |
| D-3 | Écrou papillon            |     |   |

2. Poussez la poignée avant sur le manche en avant de l'anneau du manche. Ne la placez jamais entre l'anneau et la zone de la poignée arrière (schéma E).
3. Glissez le bloc de fixation sur la fente située sur le manche (Image F).
4. Installez le levier de verrouillage et serrez-le à l'aide de l'écrou papillon. La poignée auxiliaire avant doit être tournée vers le haut et dirigée vers le haut de la poignée arrière (Image G).
5. Réglez la poignée auxiliaire avant entre l'anneau du manche et l'étiquette pour vous assurer que votre bras à l'avant est bien tendu pendant l'utilisation (Image H).
6. Abaissez le levier de verrouillage pour le bloquer (Image I).

**AVERTISSEMENT:** L'outil ne peut pas être utilisé sans la poignée auxiliaire avant solidement fixée.

### ATTACHER LA SANGLE D'ÉPAULE

Appuyez sur le crochet de la sangle pour l'ouvrir et attachez-le à la boucle d'accrochage de la sangle d'épaule (Image J).

## FONCTIONNEMENT

**AVERTISSEMENT:** Portez toujours des lunettes ou un masque de sécurité pourvues de protections latérales, en plus d'une protection auditive, sans quoi des objets pourraient être projetés dans les yeux et provoquer d'autres blessures potentiellement graves.

Vous pouvez utiliser cet outil pour les usages listés ci-dessous :

**Taillage:** pour retirer le gazon et les mauvaises herbes contre des murs, des barrières, des arbres et des bordures.

**Coupe:** pour couper le gazon difficile à atteindre avec une tondeuse classique.

**REMARQUE:** L'outil ne doit être utilisé que pour son usage prévu. Tout autre usage, par exemple tailler des haies, est considéré impropre.

### INSÉRER/RETIRER LA BATTERIE

Utilisez exclusivement les batteries et les chargeurs listés à la fig. A2

**Rechargez complètement la batterie avant la première utilisation.**

### Insertion

Alignez les arêtes de la batterie sur les rainures d'assemblage et poussez la batterie vers le bas jusqu'à entendre un déclic (Image K).

### Retrait

Appuyez sur le bouton d'éjection de la batterie et tirez la batterie hors de l'outil comme indiqué sur l'Image L.

|     |                                  |
|-----|----------------------------------|
| L-1 | Bouton d'éjection de la batterie |
|-----|----------------------------------|

### TENIR LE TAILLE-BORDURES

Pour améliorer et sécuriser l'utilisation, placez la sangle d'épaule sur l'épaule comme indiqué sur l'image N. Réglez la sangle d'épaule dans une position d'utilisation confortable. Tenez le taille-bordures à deux mains : Une main sur la poignée arrière et l'autre main sur la poignée auxiliaire avant.

**REMARQUE:** La tête de coupe est parallèle au sol à une distance de coupe appropriée sans que l'opérateur ne soit

penché (Image N).

Il y a deux manières de défaire la sangle. Retirez-la directement de votre épaule (Image O) ou appuyez sur le crochet de la sangle et détachez-le de la boucle d'accrochage sur le manche (Image P).

**⚠ AVERTISSEMENT:** La sangle d'épaule est aussi un mécanisme de retrait rapide en cas de situation dangereuse. En cas d'urgence, retirez-la immédiatement de votre épaule, quelle que soit la manière dont elle est portée.

## DÉMARRER ET ÉTEINDRE LA TAILLE-BORDURES (Image M)

### Allumer l'outil

Appuyez sur le levier de déverrouillage, puis appuyez sur la gâchette. Différents niveaux de pression sur la gâchette produisent différentes vitesses de rotation du fil de coupe. Plus vous appuyez, plus la vitesse augmente.

### Arrêter l'outil

Relâchez l'interrupteur-gâchette.

**REMARQUE:** Le moteur ne marche que lorsque le bouton de déverrouillage et la gâchette sont tous les deux enfoncés.

### Fonction de réglage de la vitesse (Image M)

Le taille-bordures dispose de deux vitesses. La position « 1 » correspond à une vitesse faible et la position « 2 » à une vitesse élevée.

|     |                          |
|-----|--------------------------|
| M-1 | Bouton de vitesse        |
| M-2 | Bouton de déverrouillage |
| M-3 | Interrupteur-gâchette    |

## UTILISER LA TAILLE-BORDURES

Nettoyez la zone à couper avant chaque utilisation. Retirez tous les objets pouvant s'emmêler dans les accessoires de coupe ou être projetés, par exemple les pierres, les morceaux de verre, les clous, les fils métalliques, les ficelles. Veillez à ce qu'il n'y ait aucune autre personne, aucun enfant, ni aucun animal dans l'aire de travail. Veillez à ce que les enfants, les animaux ainsi que toute autre personne se tiennent toujours à au moins 15 m de l'outil en fonctionnement ; le risque de projection d'objets reste présent. Insistez à ce que les autres personnes présentes à proximité portent une protection oculaire. Si une personne s'approche de vous, éteignez immédiatement le moteur et l'accessoire de coupe.

### Avant chaque utilisation, inspectez l'outil

### pour vérifier qu'aucune de ses pièces n'est endommagée/usée.

Inspectez la tête de frappe, le capot de protection, la poignée auxiliaire avant, et remplacez les pièces fissurées, voilées, tordues ou présentant une autre détérioration.

La lame de coupe du fil présente sur le bord du capot de protection s'use avec le temps. Il est recommandé de l'affûter régulièrement avec une lime ou de la remplacer par une lame neuve.

### Après chaque utilisation, nettoyez l'outil.

### RÉGLER LA LONGUEUR DU FIL DE COUPE

La tête de coupe permet à l'opérateur d'allonger le fil de coupe sans éteindre le moteur. Quand le fil de coupe est usé ou effiloché, vous pouvez l'allonger en frappant légèrement la tête de coupe sur le sol pendant que l'outil est en marche (Image Q).

**REMARQUE:** L'allongement du fil de coupe devient plus difficile au fur et à mesure qu'il se raccourcit.

**⚠ AVERTISSEMENT:** Ne retirez pas et ne modifiez pas l'assemblage de la lame de coupe du fil. Si la longueur du fil de coupe est excessive, cela peut provoquer la surchauffe du moteur et des blessures corporelles graves.

### CHANGER LE FIL DE COUPE

**REMARQUE:** Utilisez toujours le fil de coupe en nylon recommandé d'un diamètre ne dépassant pas 2,4 mm. Utiliser un autre fil que celui spécifié peut provoquer la surchauffe et la détérioration du taille-bordures.

**⚠ AVERTISSEMENT:** N'utilisez jamais de corde, de fil métallique, de fil à renfort métallique, etc., car ils peuvent se casser et devenir des projectiles dangereux.

1. Retirez la batterie.
2. Retirez le fil de coupe restant, si nécessaire.
3. Préparez un fil de coupe d'une longueur de 4 m. Insérez le fil dans les trous d'assemblage des œillets (Image R). Poussez le fil et tirez-le de l'autre côté jusqu'à ce qu'il y ait une longueur de fil identique de chaque côté de la bobine.
4. Appuyez, tout en tournant le boîtier inférieur dans le sens de la flèche, pour enrouler le fil sur la bobine jusqu'à ce que 14 cm environ de fil dépassent de chaque côté (Image S).
5. Appuyez sur le boîtier inférieur tout en tirant les extrémités du fil pour les faire sortir manuellement et contrôler le bon assemblage de la tête de coupe.

Si le fil de coupe casse au niveau du trou de sortie ou

s'il n'est pas libéré quand la tête de coupe est frappée, procédez comme suit :

1. Appuyez sur les languettes de déblocage du boîtier supérieur et retirez le boîtier inférieur en le tirant en ligne droite vers l'extérieur (Images T et U).
2. Retirez le fil de coupe de la bobine.
3. Tenez le boîtier inférieur d'une main et alignez les languettes du boîtier supérieur sur les trous du boîtier inférieur (Image V). Enfoncez le boîtier inférieur avec la paume de la main jusqu'à ce que les languettes se verrouillent sur le boîtier supérieur.
4. Pour recharger le fil de coupe, effectuez la procédure « CHANGER LE FIL DE COUPE ».

### REMPLACEMENT DE LA LAME A 3 DENTS

1. Retirez le boîtier inférieur (image T et U)
2. Insérez le stabilisateur puis utilisez une clé à douille à choc pour desserrer l'écrou (image X1 et X2).
3. Retirez toutes les pièces excepté la bride intérieure et l'écrou (image X3), montez la lame sur l'arbre moteur (image X4).
4. Serrez la lame (image X5).

### ENTRETIEN

**⚠ AVERTISSEMENT:** L'outil ne doit être réparé qu'avec des pièces de rechange identiques. Inspectez et entretenez l'outil régulièrement. Pour garantir la sécurité et la fiabilité, toutes les réparations doivent être effectuées par un réparateur qualifié.

**⚠ AVERTISSEMENT:** Pour éviter les blessures corporelles graves, retirez la batterie de l'outil avant de le réparer, de le nettoyer, de changer un accessoire ou d'enlever des matières de l'outil.

**⚠ ATTENTION:** Si les ouïes de ventilation sont bouchées, cela empêchera l'air de circuler dans le boîtier du moteur, ce qui peut provoquer la surchauffe et la détérioration du moteur.

### NETTOYER L'OUTIL

- Nettoyez l'outil avec un chiffon humide et un détergent doux. Veillez à ce qu'aucun liquide ne pénètre jamais dans l'outil. N'immergez jamais aucune partie de l'outil dans un liquide.
- N'utilisez pas de détergent puissant sur le boîtier en plastique ou sur la poignée, car ils peuvent être endommagés par certaines huiles aromatiques, par exemple de pin et de citron, et par les solvants, par

exemple l'essence. L'humidité peut également générer un risque de choc électrique. Essayez les traces d'humidité avec un chiffon doux et sec.

- Avec une petite brosse ou un petit aspirateur, nettoyez les ouïes de ventilation du boîtier arrière.
- Veillez à ce que les ouïes de ventilation du boîtier du moteur soient toujours exemptes de débris.

### LUBRIFICATION DES ENGRENAGES DE TRANSMISSION

Les engrenages de transmission dans le boîtier d'engrenage doivent être lubrifiés régulièrement avec de la graisse à engrenage. Contrôlez le niveau de graisse dans le boîtier d'engrenage toutes les 50 h d'utilisation en retirant la vis d'étanchéité sur le côté du boîtier.

Si vous ne voyez pas de graisse sur les flancs des engrenages, procédez comme suit pour remplir le boîtier de graisse jusqu'au 3/4 de sa capacité. Ne remplissez pas complètement les engrenages de transmission.

1. Posez le taille-bordures sur son flanc de sorte que la vis d'étanchéité soit vers le haut (Image W).
2. Utilisez la clé multifonction fournie pour desserrer et retirer la vis d'étanchéité.
3. Avec une seringue à graisse (non fournie), injectez de la graisse dans le trou de vis sans dépasser les 3/4 de la capacité.
4. Revissez complètement la vis d'étanchéité après l'injection.

### RANGER L'OUTIL

- Retirez la batterie du taille-bordures quand vous ne l'utilisez pas.
- Nettoyez soigneusement et intégralement l'outil avant de le ranger.
- Rangez l'outil dans un endroit sec, bien aéré, fermé à clé ou en hauteur, et hors de portée des enfants. Ne rangez pas l'outil sur ou à côté d'engrais, d'essence ou d'autres substances chimiques.

### Protection de l'environnement



Ne jetez pas les équipements électriques, les batteries usées et les chargeurs avec les ordures ménagères ! Apportez ce produit chez un recycleur agréé et rendez-le disponible pour une collecte séparée. Les outils électriques doivent être amenés dans un centre de recyclage pour assurer un respect de l'environnement.



## DÉPANNAGE

**FR**

| PROBLÈME                                     | CAUSE   | SOLUTION   |
|--|---|--|
| Le taille-bordures ne s'allume pas.          | <ul style="list-style-type: none"> <li>■ La batterie n'est pas insérée dans le taille-bordures.</li> <li>■ Il n'y a pas de contact électrique entre l'outil et la batterie.</li> <li>■ La batterie est déchargée.</li> <li>■ Le bouton de déverrouillage et l'interrupteur-gâchette ne sont pas tous les deux enfoncés.</li> </ul>  | <ul style="list-style-type: none"> <li>■ Insérez la batterie dans le taille-bordures.</li> <li>■ Retirez la batterie, inspectez les contacts, puis réinsérez la batterie.</li> <li>■ Rechargez la batterie.</li> <li>■ Appuyez sur le bouton de déverrouillage et maintenez-le enfoncé, puis appuyez sur l'interrupteur-gâchette pour allumer le taille-bordure.</li> </ul>  |
| Le taille-bordure s'arrête pendant la coupe. | <ul style="list-style-type: none"> <li>■ Le capot de protection n'est pas assemblé sur l'outil, ce qui provoque une longueur excessive du fil de coupe et la surcharge du moteur.</li> <li>■ Un fil de coupe trop épais est utilisé.</li> <li>■ L'arbre du moteur ou la tête de coupe est bloqué par de l'herbe.</li> <li>■ Le moteur est en surcharge.</li> <li>■ La batterie ou le taille-bordure est trop chaud.</li> <li>■ La batterie est déconnectée de l'outil.</li> <li>■ La batterie est déchargée.</li> </ul> | <ul style="list-style-type: none"> <li>■ Retirez la batterie, puis assemblez le capot de protection sur l'outil.</li> <li>■ Utilisez le fil de coupe en nylon recommandé d'un diamètre ne dépassant pas 2,4 mm.</li> <li>■ Éteignez l'outil, retirez la batterie, puis retirez l'herbe de l'arbre du moteur et de la tête de coupe.</li> <li>■ Retirez la tête de coupe de l'herbe. Le moteur retrouve un fonctionnement normal dès que la charge est retirée. Pendant la coupe, déplacez la tête de coupe dans et hors de l'herbe à couper, et ne coupez pas une longueur supérieure à 20 cm en un seul passage.</li> <li>■ Laissez la batterie et l'outil refroidir jusqu'à ce que sa température devienne inférieure à 67°C.</li> <li>■ Réinstallez la batterie.</li> <li>■ Rechargez la batterie.</li> </ul> |

| PROBLÈME  | CAUSE   | SOLUTION   |
|---|---|--|
| La tête de coupe ne fait pas avancer le fil de coupe.                                   | <ul style="list-style-type: none"> <li>■ L'arbre du moteur ou la tête de coupe est bloqué par de l'herbe.</li> <li>■ Il n'y a pas assez de fil de coupe sur la bobine.</li> <li>■ La tête de coupe est sale.</li> <li>■ Le fil de coupe est emmêlé sur la bobine.</li> <li>■ Le fil de coupe est trop court.</li> </ul> | <ul style="list-style-type: none"> <li>■ Éteignez l'outil, retirez la batterie, puis retirez l'herbe de l'arbre du moteur et de la tête de coupe.</li> <li>■ Retirez la batterie et changez le fil de coupe. Pour cela, consultez le chapitre « CHANGER LE FIL DE COUPE » de ce manuel d'utilisation.</li> <li>■ Retirez la batterie, puis retirez l'herbe de la tête de coupe.</li> <li>■ Retirez la batterie, enlevez le fil de coupe de la tête de coupe, puis rembobinez-le. Pour cela, consultez la partie « CHANGER LE FIL DE COUPE » de ce manuel d'utilisation.</li> <li>■ Retirez la batterie, puis tirez les extrémités du fil de coupe en appuyant et en relâchant la tête de coupe de manière alternée.</li> </ul> |
| De l'herbe s'enroule autour de la tête de coupe et du boîtier du moteur.                | <ul style="list-style-type: none"> <li>■ Vous coupez de l'herbe haute au ras du sol.</li> </ul>   | <ul style="list-style-type: none"> <li>■ Coupez les herbes hautes de haut en bas en coupant 20 cm au maximum à chaque passage pour éviter que l'herbe ne s'enroule.</li> </ul>   |
| La tête de coupe est fissurée ou le boîtier inférieur est détaché du boîtier supérieur. | <ul style="list-style-type: none"> <li>■ La tête de coupe est usée.</li> </ul>  | <ul style="list-style-type: none"> <li>■ Faites immédiatement remplacer la tête de coupe par un réparateur qualifié.</li> </ul>  |

## GARANTIE

### POLITIQUE DE GARANTIE EGO

Visitez le site Web [egopowerplus.com](http://egopowerplus.com) pour consulter les conditions complètes de la politique de garantie EGO.

## ¡LEA TODAS LAS INSTRUCCIONES!



### LEA EL MANUAL DEL USUARIO

**⚠ ADVERTENCIA:** ¡Riesgo residual! Las personas con implantes electrónicos, como marcapasos, deberán consultar a su médico antes de utilizar este producto. La utilización de equipos eléctricos en las proximidades inmediatas de un marcapasos podría causar en este interferencias o averías.



Aviso de seguridad



Utilizar protección ocular utilice siempre utilice gafas de seguridad, gafas con cristales anti-impacto que cuenten con pantallas de protección lateral, o bien una máscara facial que proteja completamente la cara.



Utilizar protección auditiva lleve siempre protección auditiva cuando utilice este producto.



Utilizar protección para la cabeza lleve puesto casco de seguridad para protegerse la cabeza.



No instale cuchillas redondas.



**Anchura:** la anchura de corte máxima del cortabordes con cabezal de hilo



Asegúrese de que las personas y los animales domésticos se mantengan a una distancia mínima de 15 m cuando se esté usando el cortabordes con cabezal de hilo.



Nivel de potencia acústica garantizado. La emisión de ruido al medio ambiente cumple la directiva de la Comunidad Europea.



Los productos eléctricos no deben eliminarse con la basura doméstica. Llévelos a un centro de reciclaje autorizado.

$n_0$

Velocidad sin carga-Velocidad de giro, sin carga



Corriente continua

## SÍMBOLOS DE SEGURIDAD

**⚠ ADVERTENCIA:** Cuando se utilizan herramientas eléctricas, es posible que salgan despedidos objetos que podrían causar lesiones oculares graves. Antes de empezar a usar herramientas eléctricas, póngase siempre gafas de seguridad, gafas con cristales anti-impacto que cuenten con pantallas de protección lateral, o bien una máscara facial que proteja completamente la cara. Recomendamos usar una máscara de seguridad de amplia visión que pueda utilizarse encima de gafas graduadas, o bien gafas normales de seguridad equipadas con pantallas laterales.

ES



Para reducir el riesgo de lesiones, el usuario debe leer el manual de instrucciones.



Utilizar calzado de seguridad lleve calzado de seguridad antideslizante siempre que utilice este equipo.



Utilizar guantes de protección utilice guantes para protegerse las manos cuando manipule cuchillas o el protector de las cuchillas.



Tener cuidado con el contragolpe de las cuchillas advierta al usuario del peligro de contragolpe de las cuchillas.



**Diámetro:** tenga en cuenta el diámetro del hilo de corte indicado.



Los objetos lanzados pueden rebotar y provocar lesiones personales o daños materiales. Asegúrese de que las personas y los animales domésticos se mantengan alejados cuando se esté usando la desbrozadora.



No utilice la herramienta bajo la lluvia ni la deje a la intemperie cuando esté lloviendo.



Este producto está en conformidad con las directivas de la CE aplicables.

V Tensión

.../min Por minuto

kg Kilogramo

## ESPECIFICACIONES

|   | Cabezal del cortabordes       | Cuchilla de 3 dientes                          |  |
|---|-------------------------------|--|--|
| Tensión   | 56 V $\overline{\text{---}}$  | 56 V $\overline{\text{---}}$                   |  |
| Temperatura de funcionamiento recomendada:  | 0°C-40°C                      |  |  |
| Temperatura de almacenamiento recomendada:  | -20°C-70°C                    |  |  |
| Temperatura ambiente óptima de recarga  | 5°C-40°C                      |  |  |
| Velocidad sin carga   | 5000/6000 min <sup>-1</sup>   | 5000/6000 min <sup>-1</sup>                    |  |
| Tipo de hilo de corte   | 2,4mm                         | /  |  |
| Cuchilla de corte   | /                             | ABB1203  |  |
| Anchura de corte  | 38 cm                         | 30cm   |  |
| Peso (sin batería)  | 4,21 kg                       | 4,45 kg  |  |
| Medición del nivel de potencia acústica L <sub>WA</sub>   | 94,6 dB(A)<br>K=1,8 dB(A)     | 96,5 dB(A)<br>K=1,88 dB(A)                     |  |
| Nivel de presión acústica medido a la altura del oído del usuario L <sub>PA</sub>               | 81,7 dB(A)<br>K=2,5 dB(A)     | 76,5 dB(A)<br>K=3 dB(A)                        |  |
| Nivel de potencia acústica garantizado L <sub>WA</sub> (de acuerdo con la directiva 2000/14/CE) | 96 dB(A)                      | 98 dB(A)                                       |  |
| Nivel de vibraciones a <sub>h</sub>   | Empuñadura auxiliar delantera | 3,2 m/s <sup>2</sup><br>K=1,5 m/s <sup>2</sup> | 2,8 m/s <sup>2</sup><br>K=1,6 m/s <sup>2</sup> |
|   | Empuñadura trasera            | 2,3 m/s <sup>2</sup><br>K=1,5 m/s <sup>2</sup> | 3,1 m/s <sup>2</sup><br>K=1,6 m/s <sup>2</sup> |

- El valor de vibración total ha sido medido de acuerdo con el método de prueba estándar y se puede utilizar para comparar herramientas.
- El valor total de vibración declarado se puede usar además en una evaluación preliminar del grado de exposición.

**AVISO:** Las vibraciones generadas durante el uso real de la herramienta eléctrica pueden diferir del valor declarado en función de la manera en que se utilice. Como protección, el usuario debería utilizar guantes y protectores auditivos en condiciones reales de uso.

## DESCRIPCIÓN

### FAMILIARÍCESE CON EL CORTABORDES CON CABEZAL DE HILO (Fig. A1)

1. Abrazadera de tope
2. Gatillo
3. Empuñadura trasera
4. Entrada de aire
5. Botón de desbloqueo
6. Conmutador de alta/baja velocidad
7. Soporte para la correa bandolera
8. Empuñadura auxiliar delantera ajustable
9. Correa bandolera
10. Llave multifunción
11. Llave hexagonal
12. Cabezal del cortabordes (cabezal de impacto)
13. Hilo de corte
14. Lengüeta de liberación
15. Cuchilla de recorte del hilo
16. Protección
17. Mecanismo de expulsión
18. Contactos eléctricos
19. Seguro
20. Protección de almohadilla de goma
21. Botón de liberación de la batería
22. Barrera de seguridad (solo para cabezal de desbrozadora)
23. Espiga de bloqueo de la barrera de seguridad (solo para cabezal de desbrozadora)
24. Brida exterior (solo para cabezal de desbrozadora)
25. Tuerca (solo para cabezal de desbrozadora)
26. Tornillos (solo para cabezal de desbrozadora)

## LISTA DEL CONTENIDO

| NOMBRE DE LA PIEZA                        | CANTIDAD |
|---|----------|
| Cortabordes con cabezal de hilo           | 1        |
| Protección                                | 1        |
| Conjunto de empuñadura auxiliar delantera | 1        |
| Llave hexagonal                           | 1        |
| Llave multifunción                        | 1        |
| Correa bandolera                          | 1        |
| Manual del usuario                        | 1        |
| Espiga de bloqueo                         | 1        |
| Brida exterior                            | 1        |
| Tuerca                                    | 1        |
| Tornillo                                  | 2        |

## MONTAJE

### MONTAJE DE LA PROTECCIÓN

1. Afloje los dos tornillos de la protección (fig. B) y quítelos.
2. Alinee los orificios de montaje de la protección con los orificios de instalación y, a continuación, bloquee la protección sobre la base del tubo utilizando los dos tornillos, junto con dos arandelas elásticas (fig. C).

**AVISO:** Asegúrese de que la protección esté fijada tal como se muestra en las fig. B y C. ¡Si se fija de forma inversa provocará una situación de peligro grave!

### MONTAJE Y AJUSTE DE LA EMPUÑADURA AUXILIAR DELANTERA

1. Afloje la espiga de bloqueo en la empuñadura auxiliar delantera y quite la espiga de bloqueo y la tuerca de mariposa de la empuñadura auxiliar delantera (fig. D).

**AVISO:** Si la herramienta está equipada con cabezal de desbrozadora, instale la barrera de seguridad sobre la empuñadura con bucle utilizando los dos tornillos.

**AVISO:** Hay dos tipos de espiga de bloqueo, la más corta se usa con el cabezal del cortabordes. La más larga se utiliza con el cabezal de desbrozadora. Tenga cuidado de escoger la espiga de bloqueo correcta cuando use la herramienta.

|     |                               |     |  |
|-----|-------------------------------|-----|--|
| D-1 | Empuñadura auxiliar delantera | D-4 | Barrera de seguridad (solo para cabezal de desbrozadora) |
| D-2 | Bloque de fijación            | D-5 | Espiga de bloqueo  |
| D-3 | Tuerca de mariposa            |     |  |

2. Empuje la empuñadura delantera sobre el tubo en la parte frontal de la abrazadera de tope. No la ponga nunca entre la abrazadera de tope y el área de la empuñadura trasera (fig. E).
3. Inserte el bloque de fijación en la ranura de la empuñadura (fig. F).
4. Monte la espiga de bloqueo y sujételos ligeramente con la tuerca de mariposa. Asegúrese de que la empuñadura auxiliar delantera quede hacia arriba y apunte hacia la parte superior de la empuñadura trasera (fig. G).
5. Ajuste la empuñadura auxiliar delantera entre la abrazadera de tope y la etiqueta, para asegurarse de que de que su brazo delantero esté recto cuando utilice la herramienta (fig. H).

6. Cierre la palanca de la espiga de bloqueo. (Fig. I).

**⚠ ADVERTENCIA:** La herramienta no se puede usar si la empuñadura auxiliar delantera no está sujeta de forma segura.

### MONTAJE DE LA CORREA BANDOLERA

Presione el gancho de la correa para abrirlo y engánchelo al soporte para la correa bandolera (fig. J).

## FUNCIONAMIENTO

**⚠ ADVERTENCIA:** Lleve siempre gafas de seguridad o gafas con pantallas de protección lateral, además de protección auditiva. De lo contrario, de la herramienta pueden salir objetos despedidos y alcanzar los ojos, provocando lesiones graves.

Este producto puede utilizarse para los fines indicados a continuación:

**Recorte:** se usa para quitar hierba y malas hierbas junto a paredes, vallas, árboles y bordes.

**Corte:** se usa para cortar la hierba difícil de alcanzar con un cortacésped normal.

**AVISO:** La herramienta debe utilizarse únicamente para el fin previsto. Cualquier otro uso, por ejemplo el corte de setos, se considerará uso indebido.

### INSTALAR/QUITAR LA BATERÍA

Utilizar solo con los acumuladores y cargadores enumerados en la fig. A2.

**Cargue totalmente la batería antes de usarla por primera vez.**

#### Instalación

Alinee las nervaduras de la batería con las ranuras de montaje, e introduzca la batería presionándola hacia abajo hasta oír un “clic” (fig. K).

#### Retirada

Pulse el botón de liberación de la batería y saque la batería como se muestra en la fig. L.

|     |                                   |
|-----|-----------------------------------|
| L-1 | Botón de liberación de la batería |
|-----|-----------------------------------|

### SUEJCIÓN DEL CORTABORDES DE HILO

Para un funcionamiento mejor y más seguro, póngase la correa bandolera cruzada desde el hombro, como en la Fig. P. Ajuste la correa bandolera en una posición cómoda para utilizar la herramienta. Sujete firmemente

el cortabordes de hilo utilizando las dos manos: Una mano deberá sujetar la empuñadura trasera y la otra la empuñadura auxiliar delantera.

**AVISO:** El cabezal del cortabordes está paralelo al suelo a una distancia de corte adecuada, sin que el usuario tenga que inclinarse (fig. N).

ES

Hay dos formas de soltar la correa. Quitesela directamente del hombro (Fig. O) o presione le gancho de la correa y quítela del clip del soporte de montaje de la correa fijado al tubo (Fig. P).

**⚠ ADVERTENCIA:** La correa bandolera también es un mecanismo de liberación rápida si se produce una situación peligrosa. En caso de emergencia, quitesela del hombro inmediatamente, sin importar cómo esté colocada la correa.

## PUESTA EN MARCHA/PARADA DEL CORTABORDES DE HILO (fig. M)

### Puesta en marcha

Presione hacia abajo la palanca de desbloqueo y, a continuación, apriete el gatillo interruptor. Las distintas presiones en el gatillo provocarán diferentes velocidades de giro del hilo de corte. Cuanta más presión, mayor será la velocidad.

### Parada

Suelte el gatillo.

**AVISO:** El motor solo funcionará cuando el botón de desbloqueo y el gatillo se presionen a la vez.

### Función de ajuste de la velocidad (fig. M)

El cortabordes de hilo tiene dos velocidades. La posición «1» es para baja velocidad mientras que la posición «2» es para alta velocidad.

|     |                                   |
|-----|-----------------------------------|
| M-1 | Conmutador de alta/baja velocidad |
| M-2 | Botón de desbloqueo               |
| M-3 | Gatillo                           |

## USO DEL CORTABORDES DE HILO

Antes de cada uso, despeje la zona de corte. Quite todos los objetos como piedras, vidrios rotos, clavos, alambres, cables o cuerdas, ya que podrían salir despedidos por la acción de la herramienta o enredarse en el elemento de corte. Mantenga a los niños, las mascotas y otras personas fuera de la zona de trabajo. Mantenga a niños, mascotas y otras personas a una distancia mínima de 15 m; existe riesgo de que salgan objetos despedidos. Se recomienda que cualquier persona presente en la zona de trabajo utilice protección ocular. Apague inmediatamente el motor o des-

active el dispositivo de corte si se acerca alguna persona.

### Antes de cada utilización, examine la herramienta por si hubiera piezas dañadas o desgastadas.

Examine el cabezal de impacto, la protección y la empuñadura auxiliar delantera. Sustituya cualquier pieza que esté agrietada, deformada, doblada o presente cualquier tipo de daño.

Con el tiempo, el filo de la cuchilla de recorte de hilo situada en la protección puede llegar a embotarse. Se recomienda afilarla con una lima a intervalos periódicos o sustituirla por otra nueva.

### Limpie el cortabordes después de cada uso.

### AJUSTE DE LA LONGITUD DEL HILO DE CORTE

El cabezal del cortabordes permite al usuario ir extrayendo más hilo de corte del carrete sin tener que detener el motor. A medida que el hilo se deshilacha o se desgasta, se puede extraer hilo adicional golpeando levemente el cabezal del cortabordes sobre el suelo mientras se utiliza el cortabordes (fig. Q).

**AVISO:** La extracción del hilo de corte se hará más difícil a medida que se hace más corto.

**⚠ ADVERTENCIA:** No retire ni modifique el conjunto de la cuchilla de recorte del hilo. Una longitud excesiva de hilo de corte hará que el motor se sobrecaliente y podría provocar lesiones graves.

### SUSTITUCIÓN DEL HILO DE CORTE

**AVISO:** Utilice siempre el hilo de corte de nailon recomendado, cuyo diámetro no sea mayor que 2,4 mm. Si se utiliza otro hilo de corte distinto al especificado, el cortabordes de hilo podría calentarse excesivamente y sufrir daños.

**⚠ ADVERTENCIA:** No utilice hilo con refuerzo de metal, alambre, cuerda, etc. Podrían romperse y sus trozos convertirse en proyectiles peligrosos.

1. Quite la batería.
2. En caso necesario, quite el hilo de corte que quede.
3. Corte 4 m de hilo e inserte el hilo en el orificio de montaje en el interior de la anilla (fig. R). Empuje y tire del hilo desde el otro lado, hasta que aparezca la misma cantidad de hilo por ambos lados del carrete.
4. Presione, al mismo tiempo que gira el conjunto de la tapa inferior en la dirección de la flecha, para enrollar el hilo en el carrete hasta que se vean aproximadamente 14 cm de hilo por cada lado (fig. S).
5. Empuje el conjunto de la tapa inferior hacia abajo mientras tira de los hilos para hacer que el hilo

avance manualmente, y para comprobar el montaje correcto del cabezal del cortabordes.

Si el hilo de corte se rompe de la salida del hilo o si no se libera hilo de corte cuando se golpea el cabezal del cortabordes, realice los pasos siguientes:

1. Presione las lengüetas de liberación situadas en la tapa superior y retire el conjunto de la tapa inferior tirando de él hacia fuera (fig. T y U).
2. Quite el hilo de corte del carrete.
3. Sujutando con una mano el conjunto de la tapa inferior, use la otra mano para agarrar el conjunto de la tapa inferior y alinear las lengüetas de la tapa superior con los orificios del conjunto de la tapa inferior (fig. V); presione con la palma de la mano el conjunto de la tapa inferior, hasta que las lengüetas se enclaven en la tapa superior.
4. Siga las instrucciones del apartado "SUSTITUCIÓN DEL HILO DE CORTE" para volver a cargar el hilo de corte.

#### SUSTITUCIÓN DE LA CUCHILLA DE 3 DIENTES

1. Quite el conjunto de la tapa inferior como se indica en las fig. T y U.
2. Inserte el estabilizador y utilice después una llave de vaso de impacto para soltar la tuerca, como se indica en las fig. X1 y X2.
3. Quite todas las piezas, excepto la brida interior y la tuerca (fig. X3), y monte la cuchilla sobre el eje del motor como se indica en la fig. X4.
4. Apriete la cuchilla como se indica en la fig. X5.

### MANTENIMIENTO

**⚠ ADVERTENCIA:** Cuando repare la herramienta, utilice solo piezas idénticas a las originales. Examine la herramienta regularmente y lleve a cabo las operaciones de mantenimiento. Para garantizar la seguridad y fiabilidad de la herramienta, las reparaciones debe realizarlas únicamente un técnico cualificado.

**⚠ ADVERTENCIA:** Para evitar lesiones graves, quite la batería de la herramienta antes de efectuar cualquier reparación, limpieza, sustitución de accesorios o retirar acumulaciones de material cortado.

**⚠ PRECAUCIÓN:** Cualquier obstrucción de los orificios de ventilación impedirá la correcta circulación de aire por el interior de la carcasa del motor, pudiendo hacer que este se sobrecaliente o sufra daños.

#### LIMPIEZA DE LA UNIDAD

- Limpie la herramienta utilizando un paño húmedo y detergente suave. No deje nunca que entre líquido en la herramienta ni sumerja ninguna parte de la herramienta en ningún líquido.
- No utilice detergentes fuertes en la carcasa de plástico o la empuñadura. Algunos aceites aromáticos, como aquellos a base de limón o pino, y disolventes como el queroseno, podrían dañar estas piezas. La humedad también puede provocar descargas eléctricas. Utilice un paño suave y seco para eliminar cualquier resto de humedad.
- Utilice un cepillo pequeño o el accesorio tipo cepillo de una aspiradora para limpiar los orificios de ventilación de la carcasa trasera .
- Mantenga en todo momento los orificios de ventilación de la carcasa del motor libres de residuos.

#### LUBRICACIÓN DE LOS ENGRANAJES DE TRANSMISIÓN

Los engranajes de transmisión de la caja de engranajes deberán lubricarse periódicamente con grasa para engranajes. Compruebe el nivel de grasa de la caja de engranajes aproximadamente cada 50 horas de uso retirando el tornillo de sellado del lateral de la caja.

Si no se ve grasa en los flancos de los engranajes, siga los pasos que se indican a continuación para rellenar con grasa para engranajes hasta 3/4 de la capacidad. No rellene por completo los engranajes de transmisión con grasa.

1. Sujete el cortabordes por un lado, de modo que el tornillo de sellado esté hacia arriba (fig. W).
2. Emplee la llave multifunción suministrada para aflojar y retirar el tornillo de sellado.
3. Utilice una jeringa engrase (no incluida) para inyectar la grasa en el orificio del tornillo; no sobrepase 3/4 de la capacidad.
4. Apriete el tornillo de sellado tras la inyección.

#### ALMACENAMIENTO DE LA HERRAMIENTA

- Quite la batería del cortabordes con cabezal de hilo cuando no lo utilice.
- Limpie a fondo la herramienta antes de guardarla.
- Almacene la herramienta en un lugar seco y bien ventilado, ya sea cerrado o a una altura suficiente que impida que los niños puedan alcanzarla. No la guarde encima ni cerca de fertilizantes, gasolina u otros productos químicos.

## Protección del medio ambiente



ES

¡No elimine aparatos eléctricos, baterías usadas ni cargadores de baterías junto con los desperdicios domésticos! Lleve este producto a un punto de reciclaje autorizado y deposítelo por separado según corresponda. Las herramientas eléctricas se deben llevar a un punto de reciclaje con fin de proteger el medio ambiente.

## SOLUCIÓN DE PROBLEMAS

| PROBLEMA   | CAUSA   | SOLUCIÓN   |
|--|---|--|
| El cortabordes con cabezal de hilo no se pone en marcha.   | <ul style="list-style-type: none"> <li>■ La batería no está conectada correctamente al cortabordes.</li> <li>■ No hay contacto eléctrico entre la batería y el cortabordes.</li> <li>■ La batería está agotada.</li> <li>■ No ha presionado simultáneamente el botón de desbloqueo y el gatillo interruptor.</li> </ul>   | <ul style="list-style-type: none"> <li>■ Conecte correctamente la batería al cortabordes.</li> <li>■ Quite la batería, compruebe los contactos eléctricos y vuelva a instalarla.</li> <li>■ Cargue la batería.</li> <li>■ Mantenga presionado hacia abajo el botón de desbloqueo y apriete el gatillo interruptor para poner en marcha el cortabordes con cabezal de hilo.</li> </ul>  |
| El cortabordes con cabezal de hilo se para durante el uso. | <ul style="list-style-type: none"> <li>■ La protección no está instalada en el cortabordes, haciendo que el hilo de corte quede extraído a una longitud excesiva y el motor se sobrecargue.</li> <li>■ Se está utilizando un hilo de corte demasiado grueso.</li> <li>■ Hay una acumulación de hierba en el eje del motor o el cabezal del cortabordes.</li> <li>■ El motor se ha sobrecargado..</li> <li>■ La batería o el cortabordes están demasiado calientes.</li> <li>■ La batería se ha desconectado de la herramienta.</li> <li>■ La batería está agotada.</li> </ul> | <ul style="list-style-type: none"> <li>■ Quite la batería e instale la protección en el cortabordes.</li> <li>■ Utilice hilo de corte de nailon recomendado, con un diámetro no superior a 2,4 mm.</li> <li>■ Apague el cortabordes, quite la batería y retire la hierba del eje del motor y cabezal del cortabordes.</li> <li>■ Aparte el cabezal del cortabordes de la hierba. El motor se recuperará en cuanto se retire la carga. Al cortar la hierba, desplace el cabezal del cortabordes por esta siguiendo un movimiento de vaivén y procurando cortar una longitud máxima de 20 cm en cada pasada.</li> <li>■ Espere a que la batería o el cortabordes se hayan enfriado lo suficiente hasta que su temperatura sea inferior a 67°C.</li> <li>■ Vuelva a instalar la batería.</li> <li>■ Cargue la batería.</li> </ul> |



| PROBLEMA  | CAUSA  | SOLUCIÓN  |
|---|--|---|
| El hilo de corte no se extrae automáticamente del cabezal del cortabordes.                              | <ul style="list-style-type: none"> <li>■ Hay una acumulación de hierba en el eje del motor o el cabezal del cortabordes.</li> <li>■ No queda suficiente hilo de corte en el carrete.</li> <li>■ El cabezal del cortabordes está sucio.</li> <li>■ El hilo está enredado en el carrete.</li> <li>■ El hilo es demasiado corto.</li> </ul> | <ul style="list-style-type: none"> <li>■ Apague el cortabordes, quite la batería y limpie el eje del motor y cabezal del cortabordes.</li> <li>■ Quite la batería y sustituya el hilo de corte. Consulte el apartado "SUSTITUCIÓN DEL HILO DE CORTE" en este manual.</li> <li>■ Quite la batería y limpie el cabezal del cortabordes.</li> <li>■ Quite la batería, retire el hilo del cabezal del cortabordes y vuelva a enrollarlo. Consulte el apartado "SUSTITUCIÓN DEL HILO DE CORTE" en este manual.</li> <li>■ Quite la batería y tire manualmente de los extremos del hilo de corte mientras presiona y suelta alternativamente el cabezal del cortabordes.</li> </ul> |
| La hierba se enreda alrededor del cabezal y de la carcasa del motor.                                    | <ul style="list-style-type: none"> <li>■ Está cortando a nivel del suelo hierba demasiado alta.</li> </ul>   | <ul style="list-style-type: none"> <li>■ Corte la hierba alta de arriba hacia abajo, cortando un máximo de 20 cm en cada pasada para evitar que se enrede.</li> </ul>   |
| Grietas en el cabezal del cortabordes, o el conjunto de la tapa inferior se suelta de la tapa superior. | <ul style="list-style-type: none"> <li>■ El cabezal del cortabordes está desgastado.</li> </ul>  | <ul style="list-style-type: none"> <li>■ Lleve el aparato inmediatamente a un técnico cualificado para que cambie el cabezal del cortabordes.</li> </ul>  |

## GARANTÍA

### POLÍTICA DE GARANTÍA DE EGO

Visite la página web [egopowerplus.com](http://egopowerplus.com) para conocer los términos y condiciones completos de la política de garantía de EGO.

## LEIA TODAS AS INSTRUÇÕES!



### LEIA O MANUAL DE INSTRUÇÕES

PT

**AVISO:** Risco residual! As pessoas com dispositivos eletrônicos, como pacemakers, deverão consultar o seu médico antes de utilizarem este produto. A utilização de equipamento elétrico perto de um pacemaker pode causar interferências ou falhas no pacemaker.



Alerta de segurança



Utilize proteção ocular Utilize sempre óculos de segurança com proteção lateral e, se necessário, uma proteção completa do rosto, quando utilizar este produto.



Utilize proteção auditiva Utilize sempre proteção auditiva ao utilizar este produto.



Use proteção para a cabeça Use um chapéu de proteção aprovado para proteger a cabeça.



Não instale lâminas de corte redondas.



Largura: A largura máx. de corte da roçadora



Certifique-se de que outras pessoas e animais permanecem a, pelo menos, 15 metros da roçadora durante a utilização.



Nível de potência do som garantido. Emissão de ruído para o ambiente de acordo com a diretiva da Comunidade Europeia.



Os resíduos elétricos não deverão ser eliminados juntamente com o lixo doméstico comum. Entregue-os num centro de reciclagem autorizado.

$n_0$

Velocidade sem carga-Velocidade de rotação, sem carga



Corrente direta

## SÍMBOLOS DE SEGURANÇA

**AVISO:** O funcionamento de qualquer ferramenta elétrica pode dar origem ao ressalto de quaisquer objetos estranhos que podem atingir os olhos, podendo dar origem a sérias lesões oculares. Antes de começar a utilizar a ferramenta elétrica, utilize sempre óculos de segurança com proteções laterais e uma proteção completa para o rosto, quando necessário. Recomendamos a utilização de máscaras de segurança com visão panorâmica por cima dos óculos ou óculos de segurança padrão com proteção lateral.



De modo a reduzir os riscos de lesões, o utilizador tem de ler o manual de utilização.



Use calçado de segurança Use calçado de segurança antiderrapante quando usar este equipamento.



Use luvas de proteção Proteja as suas mãos com luvas quando manusear a lâmina ou a proteção da lâmina.



Cuidado com o impulso da lâmina Avise o operador do perigo de impulso da lâmina.



Diâmetro: O diâmetro do fio de corte de nylon



Objetos podem ressaltar e causar lesões pessoais ou danos materiais. Certifique-se de que outras pessoas e animais permanecem afastados da roçadeira durante a utilização.



Não use este produto à chuva nem o deixe no exterior quando chover.



Este produto encontra-se em conformidade com as diretivas CE aplicáveis.

V Voltagem

.../min Por minuto

kg Quilograma

## CARACTERÍSTICAS TÉCNICAS

|   |                             |  |
|---|-----------------------------|--|
|   | Cabeça da roçadora          | Lâmina de 3 dentes                             |
| Voltagem  | 56 V                        | 56 V   |
| Temperatura de funcionamento recomendada:   | 0 °C a 40 °C                |  |
| Temperatura de armazenamento recomendada:   | -20 °C a 70 °C              |  |
| Temperatura de carregamento ótima   | 5 °C a 40 °C                |  |
| Velocidade sem carga  | 5000/6000 min <sup>-1</sup> | 5000/6000 min <sup>-1</sup>                    |
| Tipo de fio de corte  | 2,4mm                       | /  |
| Lâmina de corte   | /                           | ABB1203  |
| Largura de corte  | 38 cm                       | 30cm   |
| Peso (sem a bateria)  | 4,21Kg                      | 4,45 kg  |
| Nível de potência do som medido L <sub>WA</sub>                                       | 94,6 dB(A)<br>K=1,8 dB(A)   | 96,5 dB(A)<br>K=1,88 dB(A)                     |
| Nível da pressão do som no ouvido do operador L <sub>PA</sub>                         | 81,7 dB(A)<br>K=2,5 dB(A)   | 76,5 dB(A)<br>K=3 dB(A)                        |
| Nível de potência do som garantido L <sub>WA</sub> (de acordo com a norma 2000/14/CE) | 96 dB(A)                    | 98 dB(A)                                       |
| Vibração a <sub>h</sub>   | Pega dianteira              | 3,2 m/s <sup>2</sup><br>K=1,5 m/s <sup>2</sup> |
|   | Pega traseira               | 2,3 m/s <sup>2</sup><br>K=1,5 m/s <sup>2</sup> |

- O valor total declarado da vibração foi medido de acordo com um método de teste padrão e pode ser usado para comparar duas ferramentas;
- O valor total declarado da vibração também pode ser usado numa avaliação preliminar da exposição.

**AVISO:** A emissão de vibrações durante a utilização da ferramenta elétrica pode diferir do valor declarado em que a ferramenta é usada. De modo a proteger o utilizador, este deverá usar luvas e proteção auditiva nas condições atuais de utilização.

## DESCRIÇÃO

### CONHEÇA A SUA ROÇADORA (Imagem A1)

1. Anilha de entrada

2. Gatilho
3. Pega traseira
4. Entrada de ar
5. Botão de desbloqueio
6. Interruptor de velocidade alta/baixa
7. Gancho de fixação da alça para o ombro
8. Pega dianteira ajustável
9. Alça
10. Chave multifunções
11. Chave sextavada
12. Cabeça da roçadora (cabeça de choque)
13. Fio de corte
14. Aba de libertação
15. Lâmina de corte do fio
16. Proteção
17. Mecanismo de ejeção
18. Contactos elétricos
19. Aba
20. Proteção de borracha
21. Botão de libertação da bateria
22. Barra de barreira de segurança (apenas para a cabeça da moto-roçadora)
23. Haste de fixação da barra de barreira de segurança (apenas para a cabeça da moto-roçadora)
24. Rebordo exterior (apenas para a cabeça da moto-roçadora)
25. Porca (apenas para a cabeça da moto-roçadora)
26. Parafusos (apenas para a cabeça da moto-roçadora)

## LISTA DE PEÇAS

| NOME DA PEÇA               | QUANTIDADE |
|----------------------------|------------|
| Roçadora de fio            | 1          |
| Proteção                   | 1          |
| Conjunto da pega dianteira | 1          |
| Chave sextavada            | 1          |
| Chave multifunções         | 1          |
| Alça                       | 1          |
| Manual de utilização       | 1          |
| Haste de fixação           | 1          |
| Rebordo exterior           | 1          |
| Porca                      | 1          |
| Parafuso                   | 2          |

## MONTAGEM

### MONTAR A PROTEÇÃO

1. Desaperte e liberte os dois parafusos da proteção (Imagem B).
2. Alinhe os orifícios de montagem da proteção com os orifícios de montagem, e depois fixe a proteção na base do eixo com dois parafusos, juntamente com duas anilhas de mola (Imagem C).

**AVISO:** Certifique-se de que a proteção está fixada de acordo com a Imagem B e C. Qualquer fixação inversa irá provocar um grande perigo!

### MONTAR E AJUSTAR A PEGA DIANTEIRA

1. Desaperte a haste de fixação na pega dianteira e retire a haste de fixação e a porca de asas da pega dianteira (Imagem D).

**AVISO:** Instale o conjunto da barra de barreira de segurança na pega em arco com os dois parafusos quando a ferramenta vier equipada com a cabeça da moto-roçadora.

**AVISO:** Existem dois tipos de haste de fixação. A curta é para a cabeça da roçadora. A comprida é para a cabeça da moto-roçadora. Tenha o cuidado de escolher a haste de fixação correta quando usar a ferramenta.

|     |                  |     |  |
|-----|------------------|-----|--|
| D-1 | Pega dianteira   | D-4 | Barra de barreira de segurança (apenas para a cabeça da moto-roçadora) |
| D-2 | Bloco de fixação | D-5 | Haste de fixação   |
| D-3 | Porca de asas    |     |  |

2. Pressione a pega dianteira para o eixo na frente da anilha de entrada. Nunca a coloque entre a anilha de entrada e a área da pega traseira (Imagem E).
3. Insira o bloco de fixação na ranhura da pega (Imagem F).
4. Monte a haste de fixação e aperte com a porca de asas. Certifique-se de que a pega dianteira fica para cima, para ficar virada para o topo da pega traseira (Imagem G).
5. Ajuste a pega dianteira entre a anilha de entrada e a etiqueta, para se certificar de que o seu braço dianteiro fica esticado durante a operação (Imagem H).
6. Fixe a alavanca da haste de fixação. (Imagem I).

**AVISO:** A ferramenta não pode ser utilizada sem a pega dianteira bem fixada.

### MONTAGEM DA ALÇA

Pressione o gancho da alça para o abrir e fixe no gancho de fixação da alça (Imagem J).

## FUNCIONAMENTO

**AVISO:** Use sempre óculos de segurança com proteção lateral, juntamente com proteção auditiva. Se não o fizer, pode apanhar com objetos nos olhos, dando origem a possíveis lesões sérias.

Pode utilizar este produto para os objetivos abaixo listados:

**Aparar:** Usado para retirar relva e ervas daninhas encostadas a paredes, vedações, árvores e orlas.

**Cortar:** Usado para cortar relva difícil de alcançar usando uma máquina de cortar relva normal.

**AVISO:** A ferramenta só deve ser utilizada para o fim a que se destina. Qualquer outra utilização, por exemplo, para aparar sebes, pode ser considerada uma má utilização.

### FIXAR/RETIRAR A BATERIA

Utilize apenas com as baterias e carregadores listados na imagem A2.

**Carregue por completo antes da primeira utilização.**

#### Para fixar

Alinhe as abas da bateria com as ranhuras de fixação e empurre a bateria para baixo até ouvir um "clique" (Imagem K).

#### Para retirar

Pressione o botão de libertação da bateria e puxe a bateria para fora, conforme apresentado na Imagem L.

|     |                                |
|-----|--------------------------------|
| L-1 | Botão de libertação da bateria |
|-----|--------------------------------|

### SEGURAR A ROÇADORA

Para uma operação melhor e mais segura, coloque a alça no ombro, conforme apresentado na Imagem N. Ajuste a alça numa posição de trabalho confortável. Segure a roçadora com ambas as mãos: Uma mão na pega traseira e a outra na pega dianteira.

**AVISO:** A cabeça da roçadora deve estar paralela ao chão com a distância de corte apropriada sem que o operador se curve (Imagem N).

Há dois modos de libertar a alça. Retire-a diretamente

do seu ombro (Imagem O) ou pressione o gancho na alça e retire-a do gancho de fixação da alça fixado no eixo (Imagem P).

**⚠️ AVISO:** A alça é também um mecanismo de liberação rápida em situações perigosas. Quando ocorre uma emergência, retire-a imediatamente do seu ombro, não importa o modo como a alça se encontra.

### LIGAR/DESLIGAR A ROÇADORA (Imagem M)

#### Para ligar

Pressione a alavanca de desbloqueio e depois, prima o gatilho. Uma diferença de pressão no gatilho resulta numa velocidade de rotação variável do fio de corte. Mais pressão, maior a velocidade.

#### Para parar

Deixe de premir o gatilho.

**AVISO:** O motor só funciona quando a alavanca de desbloqueio e o gatilho são pressionados simultaneamente.

### Função de ajuste da velocidade (Imagem M)

A roçadora tem duas velocidades. A posição "1" é a de baixa velocidade e a posição "2" é a de alta velocidade.

|     |                                      |
|-----|--------------------------------------|
| M-1 | Interruptor de velocidade alta/baixa |
| M-2 | Botão de desbloqueio                 |
| M-3 | Gatilho                              |

### USAR A ROÇADORA

Limpe a área a cortar antes de cada utilização. Retire todos os objetos, como pedras, vidro partido, pregos, arames ou fios que possam ser atirados ou ficar presos no acessório de corte. Afaste as crianças, terceiros e animais. No mínimo, mantenha as crianças, terceiros e animais a um raio de 15 metros. Poderá continuar a haver um risco para as pessoas devido aos objetos que possam ser atirados. As outras pessoas deverão ser encorajadas a usar proteção ocular. Se alguém se aproximar, desligue imediatamente o motor e o acessório de corte.

### Antes de cada utilização, verifique se existem peças gastas/danificadas.

Verifique a cabeça de choque, proteção, pega dianteira e substitua as peças rachadas, torcidas, dobradas ou danificadas de algum modo.

Esta lâmina para cortar o fio na extremidade da proteção pode deixar de ficar afiada com o passar do tempo. Recomendamos que afie periodicamente com uma lima ou que a substitua por uma lâmina nova.

### Após cada utilização, limpe a roçadora.

### AJUSTAR O COMPRIMENTO DO FIO DE CORTE

A cabeça da roçadora permite ao operador libertar mais fio de corte sem parar o motor. À medida que o fio fica gasto, pode libertar mais fio, batendo ligeiramente a cabeça da bobina no chão enquanto utiliza a roçadora (Imagem Q).

**AVISO:** A liberação do fio irá ser mais difícil, pois o fio começa a ficar mais curto.

**⚠️ AVISO:** Não retire nem altere o conjunto da lâmina de corte do fio. Um fio com um comprimento excessivo faz o motor sobreaquecer e pode dar origem a lesões pessoais sérias.

### SUBSTITUIÇÃO DO FIO

**AVISO:** Use o fio de corte de nylon recomendado com um diâmetro nunca superior a 2,4 mm. Usar outro fio para além do especificado pode fazer com que a roçadora sobreaqueça ou fique danificada.

**⚠️ AVISO:** Nunca utilize fio reforçado com metal, arame, corda, etc. Estes podem partir e tornar-se projéteis perigosos.

1. Retire a bateria.
2. Retire o fio de corte restante, se necessário.
3. Corte 4m de fio de corte. Insira o fio no orifício de fixação no interior do ilhó (Imagem R). Pressione e puxe o fio a partir do outro lado, até que apareçam quantidades iguais de fio em ambos os lados da bobina.
4. Pressione, enquanto roda o conjunto da cobertura inferior na direção da seta, para enrolar o fio na bobina até que apareçam cerca de 14 cm de fio de cada lado (Imagem S).
5. Pressione o conjunto da cobertura dianteira para baixo enquanto puxa os fios para os fazer avançar manualmente, e certifique-se da montagem adequada da cabeça da roçadora.

Quando o fio de corte se partir na saída do fio, ou não for libertado quando bater com a cabeça da roçadora, siga os passos apresentados abaixo:

1. Prima as abas de liberação na cobertura dianteira e retire o conjunto da cobertura inferior puxando a direita (Imagem T e U).
2. Retire o fio de corte do fixador da bobina.
3. Com uma mão a segurar o conjunto da cobertura superior, use a outra mão para segurar o conjunto da cobertura inferior e alinhar as abas na cobertura com

os orifícios no conjunto da cobertura inferior (Imagem V). Use a palma da mão para pressionar o conjunto da cobertura inferior até que as abas fiquem fixadas na cobertura superior.

4. Siga as instruções em “SUBSTITUIÇÃO DO FIO” para recarregar o fio de corte.

## PT

### SUBSTITUIÇÃO DA LÂMINA DE 3 DENTES

1. Retire o conjunto da cobertura inferior, conforme apresentado nas Imagens T e U.
2. Insira o estabilizador e depois use uma chave de impacto para desapertar a porca, conforme apresentado nas Imagens X1 e X2.
3. Retire todas as peças, exceto o rebordo interior e a porca (Imagem X3), monte a lâmina no eixo do motor, conforme apresentado na Imagem X4.
4. Aperte a lâmina, conforme apresentado na Imagem X5.

## MANUTENÇÃO

**⚠ AVISO:** Quando fizer reparações, utilize apenas peças de substituição idênticas. Inspeccione e efetue a manutenção da máquina com regularidade. Para assegurar a segurança e bom funcionamento, todas as reparações deverão ser efetuadas por um técnico de reparação qualificado.

**⚠ AVISO:** Para evitar lesões pessoais sérias, retire a bateria do aparelho antes da reparação, limpeza, mudança de acessórios ou remoção de material da unidade.

**⚠ CUIDADO:** As obstruções nas aberturas de ventilação impedem que o ar flua para a estrutura do motor, dando origem a um sobreaquecimento ou danos no motor.

### LIMPEZA DA UNIDADE

- Limpe a unidade usando um pano humedecido com detergente suave. Nunca permita que entrem líquidos no aparelho e nunca coloque qualquer parte do aparelho dentro de qualquer líquido.
- Não utilize detergentes fortes na estrutura de plástico ou na pega. Estes podem ser danificados por determinados óleos aromáticos, como pinho e limão e por solventes como querosene. A humidade também pode causar um perigo de choque. Retire qualquer vestígio de humidade com um pano macio e seco.
- Use uma pequena escova ou a descarga de ar de uma pequena escova aspiradora para limpar as entradas de ar na estrutura traseira.
- Mantenha sempre as aberturas de ventilação da

estrutura do motor sem lixo.

### LUBRIFICAÇÃO DOS CARRETOS DE TRANSMISSÃO

Os carretos de transmissão na caixa dos carretos têm de ser lubrificados periodicamente com lubrificante para carretos. Verifique o nível de lubrificação da caixa dos carretos a cada 50 horas de funcionamento, retirando o parafuso vedante na parte lateral da caixa.

Se não vir qualquer lubrificante nas partes laterais do carreto, siga os passos apresentados abaixo para atestar com lubrificante para carretos até 3/4 da capacidade. Não encha completamente os carretos de transmissão.

1. Segure a roçadora de lado, de modo a que o parafuso vedante fique virado para cima (Imagem W).
2. Use a chave multifunções fornecida para desapertar e retirar o parafuso vedante.
3. Use uma seringa lubrificante (não incluída) para injetar algum lubrificante no orifício do parafuso. Não exceda 3/4 da capacidade.
4. Aperte o parafuso vedante após a injeção.

### GUARDAR A UNIDADE

- Retire a bateria da roçadora quando não a utilizar.
- Limpe bem o aparelho antes de o guardar.
- Guarde a unidade num local seco, bem ventilado, trancado ou elevado, fora do alcance das crianças. Não armazene a unidade em cima ou perto de fertilizantes, gasolina ou outros químicos.

### Proteja o ambiente



Não elimine equipamento elétrico, bateria gasta nem carregador juntamente com o lixo doméstico comum! Leve este produto a um centro de reciclagem autorizado para que possa haver uma separação das peças. As ferramentas elétricas têm de ser devolvidas em instalações de reciclagem ambientalmente compatíveis.

## RESOLUÇÃO DE PROBLEMAS

| PROBLEMA                                    | CAUSA  | SOLUÇÃO   |
|---|--|---|
| A roçadora não pega.                        | <ul style="list-style-type: none"> <li>■ A bateria não foi colocada na roçadora.</li> <li>■ Não existe contacto elétrico entre a roçadora e a bateria.</li> <li>■ A bateria está gasta.</li> <li>■ O botão de desbloqueio e o gatilho não foram premidos em simultâneo.</li> </ul>   | <ul style="list-style-type: none"> <li>■ Fixe a bateria na roçadora.</li> <li>■ Retire a bateria, verifique os contactos e volte a instalar a bateria..</li> <li>■ Carregue a bateria.</li> <li>■ Prima o botão de desbloqueio e mantenha premido, depois prima o gatilho para ligar a roçadora.</li> </ul>   |
| A roçadora para durante o corte.            | <ul style="list-style-type: none"> <li>■ A proteção não está montada na roçadora, fazendo com que haja um fio excessivamente comprido e o sobreaquecimento do motor.</li> <li>■ Está a utilizar um fio de corte muito pesado.</li> <li>■ O eixo do motor ou a cabeça da roçadora estão cheios de relva.</li> <li>■ O motor está sobrecarregado.</li> <li>■ A bateria ou a roçadora estão muito quentes.</li> <li>■ A bateria foi retirada da ferramenta.</li> <li>■ A bateria está gasta.</li> </ul> | <ul style="list-style-type: none"> <li>■ Retire a bateria e monte a proteção na roçadora.</li> <li>■ Use o fio de corte de nylon recomendado com um diâmetro nunca superior a 2,4 mm.</li> <li>■ Pare a roçadora, retire a bateria e retire a relva do eixo do motor e da cabeça da roçadora.</li> <li>■ Retire a cabeça da roçadora da relva. O motor volta a funcionar mal a carga seja retirada. Quando cortar, mova a cabeça da roçadora para um lado e para o outro na relva a ser cortada e nunca retire mais de 20 cm num único corte.</li> <li>■ Deixe a bateria ou roçadora arrefecer até que a temperatura atinja menos de 67 °C.</li> <li>■ Volte a colocar a bateria.</li> <li>■ Carregue a bateria.</li> </ul> |
| A cabeça da roçadora não faz o fio avançar. | <ul style="list-style-type: none"> <li>■ O eixo do motor ou a cabeça da roçadora estão cheios de relva.</li> <li>■ Não tem fio suficiente na bobina.</li> <li>■ A cabeça da roçadora está suja.</li> <li>■ O fio ficou enroscado na bobina.</li> <li>■ O fio é demasiado curto.</li> </ul>   | <ul style="list-style-type: none"> <li>■ Pare a roçadora, retire a bateria e retire a relva do eixo do motor e da cabeça da roçadora.</li> <li>■ Retire a bateria e substitua o fio de corte. Siga a secção “SUBSTITUIÇÃO DO FIO” neste manual.</li> <li>■ Retire a bateria e limpe a cabeça da roçadora.</li> <li>■ Retire a bateria, retire o fio da bobina e enrole. Siga a secção “RECARREGAR O FIO DE CORTE” neste manual.</li> <li>■ Retire a bateria e puxe os fios manualmente enquanto pressiona alternadamente e liberta a cabeça da roçadora.</li> </ul>   |

| <b>PROBLEMA</b>  | <b>CAUSA</b>  | <b>SOLUÇÃO</b>  |
|--|---|---|
| A relva enrola-se à volta da cabeça da roçadora e da estrutura do motor.                                   | <ul style="list-style-type: none"><li>▪ Cortar relva alta ao nível do solo.</li></ul> | <ul style="list-style-type: none"><li>▪ Corte relva alta do topo até baixo, nunca retirando mais de 20 cm em cada passo para evitar que a erva se enrole.</li></ul> |
| Existem rachas na cabeça da roçadora ou o conjunto da cobertura inferior liberta-se da cobertura superior. | <ul style="list-style-type: none"><li>▪ A cabeça da roçadora está gasta.</li></ul>    | <ul style="list-style-type: none"><li>▪ A cabeça da roçadora deverá ser substituída imediatamente por um técnico de reparação qualificado.</li></ul>                |

## **GARANTIA**

### **POLÍTICA DE GARANTIA EGO**

Visite o website [egopowerplus.com](http://egopowerplus.com) para os termos e condições completos da política de garantia da EGO.



## LEGGERE TUTTE LE ISTRUZIONI!



### LEGGERE IL MANUALE DI ISTRUZIONI

**AVVERTENZA!** Rischi residui! Le persone portatrici di dispositivi elettronici, ad esempio pacemaker, devono consultare il proprio medico prima di usare questo prodotto. L'uso di apparecchi elettrici in prossimità di pacemaker cardiaci comporta il rischio di interferenze o malfunzionamento del pacemaker.



### Avvertenza di sicurezza



Indossare protezioni per gli occhi - Durante l'uso del prodotto, indossare sempre occhiali protettivi o occhiali di sicurezza con protezioni laterali e una maschera facciale.



Indossare protezioni per le orecchie - Durante l'uso del prodotto, indossare sempre protezioni per le orecchie.



Indossare protezioni per la testa - Indossare un casco di sicurezza omologato per proteggere la testa.



Non installare lame rotonde.



Ampiezza - Ampiezza di taglio max. del decespugliatore



Assicurarsi che eventuali altre persone e animali rimangano ad almeno 15 m di distanza dall'apparecchio quando è in funzione.



Livello di potenza sonora garantito. Emissione di rumore nell'ambiente conforme alla direttiva dell'Unione europea.



I prodotti elettrici non devono essere smaltiti insieme ai rifiuti domestici. Portarli presso un centro di riciclaggio autorizzato.

$n_0$

Velocità a vuoto-Velocità di rotazione, senza carico



Corrente continua

## SIMBOLI DI SICUREZZA

**AVVERTENZA!** L'uso di apparecchi elettrici può causare il lancio di oggetti estranei verso l'operatore, con il rischio di lesioni gravi agli occhi. Durante l'uso dell'apparecchio, indossare sempre occhiali protettivi o occhiali di sicurezza con protezioni laterali e, se necessario, una maschera facciale. Si consiglia di indossare una maschera di sicurezza con ampio campo visivo sopra gli occhiali o occhiali di sicurezza standard con protezioni laterali.

IT



Per ridurre il rischio di infortunio, l'operatore deve leggere il manuale di istruzioni.



Indossare calzature di sicurezza - Indossare calzature di sicurezza antiscivolo durante l'uso di questo apparecchio.



Indossare guanti di sicurezza - Proteggere le mani con i guanti durante la manipolazione della lama o della cuffia di protezione.



Fare attenzione al rischio di contraccolpo - Avverte l'operatore del pericolo di contraccolpo della lama.



Diametro - Diametro del filo di taglio in nylon



Gli oggetti lanciati possono rimbalzare e causare danni o lesioni. Assicurarsi che eventuali altre persone e animali rimangano a distanza dall'apparecchio quando è in funzione.



Non usare l'apparecchio in caso di pioggia e non lasciarlo all'aperto quando piove.



Questo prodotto è conforme alle direttive europee applicabili.

V Tensione

.../min Al minuto

kg Chilogrammo

## SPECIFICHE TECNICHE

|  |                              |  |  |
|--|------------------------------|--|--|
|  | Testa di taglio con filo     | Lama a 3 denti                                 |  |
| Tensione   | 56 V $\overline{\text{---}}$ | 56 V $\overline{\text{---}}$                   |  |
| Temperatura di funzionamento raccomandata:   | 0°C-40°C                     |  |  |
| Temperatura di conservazione raccomandata:   | -20°C-70°C                   |  |  |
| Temperatura di ricarica ottimale   | 5°C-40°C                     |  |  |
| Velocità a vuoto   | 5000/6000 min <sup>-1</sup>  | 5000/6000 min <sup>-1</sup>                    |  |
| Tipo di filo di taglio   | 2,4mm                        | /  |  |
| Lama di taglio   | /                            | ABB1203  |  |
| Ampiezza di taglio   | 38 cm                        | 30cm   |  |
| Peso (senza gruppo batteria)   | 4,21Kg                       | 4,45 kg  |  |
| Livello di potenza sonora misurato L <sub>WA</sub>                                 | 94,6 dB(A)<br>K=1,8 dB(A)    | 96,5 dB(A)<br>K=1,88 dB(A)                     |  |
| Livello di pressione sonora a livello dell'orecchio dell'operatore L <sub>PA</sub> | 81,7 dB(A)<br>K=2,5 dB(A)    | 76,5 dB(A)<br>K=3 dB(A)                        |  |
| Livello di potenza sonora garantito L <sub>WA</sub> (conformemente a 2000/14/EC)   | 96 dB(A)                     | 98 dB(A)                                       |  |
| Vibrazioni a <sub>h</sub>  | Impugnatura anteriore        | 3,2 m/s <sup>2</sup><br>K=1,5 m/s <sup>2</sup> | 2,8 m/s <sup>2</sup><br>K=1,6 m/s <sup>2</sup> |
|  | Impugnatura posteriore       | 2,3 m/s <sup>2</sup><br>K=1,5 m/s <sup>2</sup> | 3,1 m/s <sup>2</sup><br>K=1,6 m/s <sup>2</sup> |

- Il valore totale dichiarato delle vibrazioni è stato misurato con un metodo di valutazione standard e può essere utilizzato per confrontare l'apparecchio con altri prodotti analoghi.
- Il valore totale di vibrazioni indicato può essere utilizzato anche per una valutazione preliminare dei livelli di esposizione.

**NOTA:** l'emissione di vibrazioni durante l'uso effettivo dell'apparecchio può variare rispetto al valore indicato in base a come viene utilizzato l'utensile. Per proteggersi, l'operatore deve indossare guanti e dispositivi di protezione per le orecchie in base alle reali condizioni d'uso.

## DESCRIZIONE

### DESCRIZIONE DEL DECESPUGLIATORE (Fig. A1)

- Anello limitatore
- Interruttore a leva
- Impugnatura posteriore
- Apertura di ingresso dell'aria
- Pulsante di sbloccaggio
- Interruttore di velocità alta/bassa
- Attacco per tracolla
- Impugnatura anteriore regolabile
- Tracolla
- Chiave multifunzione
- Chiave esagonale
- Testa di taglio con filo (rilascio mediante pressione)
- Filo di taglio
- Linguetta di rilascio
- Lama taglia-filo
- Cuffia di protezione
- Meccanismo di espulsione
- Contatti elettrici
- Dispositivo di chiusura
- Cuscinetto protettivo in gomma
- Pulsante di rilascio della batteria
- Barra di protezione (solo per testa di taglio con lama)
- Perno di bloccaggio della barra di protezione (solo per testa di taglio con lama)
- Flangia esterna (solo per testa di taglio con lama)
- Dado (solo per testa di taglio con lama)
- Viti (solo per testa di taglio con lama)

## CONTENUTO DELLA CONFEZIONE

| NOME COMPONENTE              | QUANTITÀ |
|------------------------------|----------|
| Decespugliatore              | 1        |
| Cuffia di protezione         | 1        |
| Gruppo impugnatura anteriore | 1        |
| Chiave esagonale             | 1        |
| Chiave multifunzione         | 1        |
| Tracolla                     | 1        |
| Manuale di istruzioni        | 1        |
| Perno di bloccaggio          | 1        |
| Flangia esterna              | 1        |
| Dado                         | 1        |
| Vite                         | 2        |

## ASSEMBLAGGIO

### INSTALLAZIONE DELLA CUFFIA DI PROTEZIONE

1. Allentare e rimuovere le due viti dalla cuffia di protezione (Fig. B).
2. Allineare i fori di montaggio della cuffia con i fori di assemblaggio, quindi bloccare la cuffia sulla base dell'albero con le due viti e le due rondelle a molla (Fig. C).

**NOTA:** accertarsi che la cuffia sia fissata come illustrato in Fig. B e C; il fissaggio invertito comporta gravi rischi!

### INSTALLAZIONE E REGOLAZIONE DELL'IMPUGNATURA ANTERIORE

1. Allentare il perno di bloccaggio nell'impugnatura anteriore e rimuoverlo insieme al dado a farfalla (Fig. D).

**NOTA:** installare il gruppo barra di protezione sull'impugnatura ad anello con le due viti se sull'utensile è installata la testa di taglio con lama.

**NOTA:** sono inclusi due tipi di perno di bloccaggio; quello più corto è destinato alla testa di taglio con filo, quello più lungo è destinato alla testa di taglio con lama. Selezionare il perno di bloccaggio corretto prima di usare l'utensile.

|     |                       |     |   |
|-----|-----------------------|-----|---|
| D-1 | Impugnatura anteriore | D-4 | Barra di protezione (solo per testa di taglio con lama) |
| D-2 | Morsetto              | D-5 | Perno di bloccaggio                                     |
| D-3 | Dado a farfalla       |     |   |

2. Spingere l'impugnatura anteriore sull'asta, davanti all'anello limitatore. Non posizionarla tra l'anello limitatore e l'area dell'impugnatura posteriore (Fig. E).
3. Inserire il morsetto nella fessura dell'impugnatura (Fig. F).
4. Inserire il perno di bloccaggio e serrarlo leggermente con il dado a farfalla. Accertarsi che l'impugnatura anteriore sia ruotata verso l'alto e rivolta verso la parte superiore dell'impugnatura posteriore (Fig. G).
5. Regolare la posizione dell'impugnatura anteriore tra l'anello limitatore e l'etichetta affinché il proprio braccio anteriore sia dritto durante l'uso (Fig. H).
6. Fissare la leva del perno di bloccaggio (Fig. I).

**AVVERTENZA!** L'apparecchio non può essere usato senza l'impugnatura anteriore fissata saldamente.

### INSTALLAZIONE DELLA TRACOLLA

Premere il moschettone della tracolla per aprirlo e fissarlo all'apposito attacco (Fig. J).

## UTILIZZO

**AVVERTENZA!** Indossare sempre occhiali di sicurezza con o senza schermi laterali, insieme a protezioni per le orecchie, per evitare il contatto di eventuali oggetti lanciati dall'apparecchio con gli occhi e altre lesioni gravi.

Questo prodotto può essere usato per gli scopi elencati di seguito.

**Rifinitura:** per rimuovere erba e erbacce contro muri, steccati, alberi e bordi.

**Taglio:** per tagliare erba difficile da raggiungere con un normale tosaerba.

**NOTA:** usare l'apparecchio esclusivamente per gli scopi previsti. Altri utilizzi, ad esempio come bordatore, sono da considerarsi impropri.

### INSTALLAZIONE/RIMOZIONE DEL GRUPPO BATTERIA

Usare esclusivamente con i gruppi batteria e i caricabatteria elencati in fig. A2.

**Ricaricare completamente la batteria prima del primo utilizzo.**

#### Installazione

Allineare i rilievi sul gruppo batteria con le scanalature di assemblaggio e premere il gruppo batteria fino al "clic" (Fig. K).

#### Rimozione

Premere il pulsante di rilascio della batteria ed estrarre il gruppo batteria come illustrato in Fig. L.

|     |                                     |
|-----|-------------------------------------|
| L-1 | Pulsante di rilascio della batteria |
|-----|-------------------------------------|

### COME IMPUGNARE IL DECESPUGLIATORE

Per un funzionamento migliore e sicuro, indossare la tracolla sulla spalla come illustrato in Fig. N. Regolare la tracolla in una posizione di lavoro confortevole. Impugnare il decespugliatore con entrambe le mani: una mano sull'impugnatura posteriore e una mano sull'impugnatura anteriore ausiliaria.

**NOTA:** la testa del decespugliatore è parallela al terreno a una corretta distanza di taglio, senza che l'operatore debba piegarsi in avanti (Fig. N).

Sono disponibili due modalità di rilascio della tracolla. È possibile sfilarla direttamente dalla spalla (Fig. O) o premere il moschettone della tracolla e separarla dal gancio fissato sull'asta (Fig. P).

**⚠ AVVERTENZA!** La tracolla funziona anche da meccanismo di rilascio rapido in situazioni di pericolo. In caso di emergenza, sfilarla immediatamente dalla spalla, indipendentemente dalla sua modalità di fissaggio.

## AVVIO/ARRESTO DEL DECESPUGLIATORE (Fig. M)

### Avvio

IT Tenere premuto il pulsante di sbloccaggio, quindi premere l'interruttore a leva. La velocità di rotazione del filo di taglio è proporzionale alla pressione esercitata sull'interruttore a grilletto. Maggiore la pressione, maggiore la velocità.

### Arresto

Rilasciare l'interruttore a leva.

**NOTA:** il motore entrerà in funzione esclusivamente quando il pulsante di sbloccaggio e l'interruttore a leva sono premuti contemporaneamente.

## Funzione di regolazione della velocità (Fig. M)

L'apparecchio dispone di due velocità: la posizione "1" corrisponde alla bassa velocità mentre la posizione "2" corrisponde all'alta velocità.

|     |                                     |
|-----|-------------------------------------|
| M-1 | Interruttore di velocità alta/bassa |
| M-2 | Pulsante di sbloccaggio             |
| M-3 | Interruttore a leva                 |

## UTILIZZO DEL DECESPUGLIATORE

Sgombrare l'area da tagliare prima di ogni utilizzo. Rimuovere oggetti come pietre, vetri rotti, chiodi, cavi o corde perché potrebbero venire lanciati o impigliarsi nell'accessorio di taglio. Tenere lontani dall'area di lavoro bambini, altre persone e animali. Tenere eventuali bambini, altre persone e animali ad almeno 15 m di distanza; permane tuttavia il rischio di lesioni alle altre persone dovute al lancio di oggetti. Si raccomanda di far indossare dei dispositivi di protezione per gli occhi a eventuali persone presenti. Se un'altra persona si avvicina, arrestare immediatamente il motore e l'accessorio di taglio.

### Prima di ogni utilizzo, verificare l'assenza di componenti danneggiati/usurati.

Ispezionare la testa di taglio, la cuffia di protezione e l'impugnatura anteriore e sostituire i componenti incrinati, deformati, piegati o danneggiati in qualsiasi modo.

La lama taglia-filo sul bordo della cuffia di protezione può smussarsi col tempo. Si consiglia di affilarla periodicamente con una lima o di sostituirla con una lama nuova.

### Pulire il decespugliatore dopo ogni utilizzo.

## REGOLAZIONE DELLA LUNGHEZZA DEL FILO DI TAGLIO

La testa di taglio permette all'operatore di allungare il filo di taglio senza arrestare il motore. Quando il filo si sfilaccia o si usura, allungarlo premendo leggermente la testa di taglio sul terreno mentre il decespugliatore è in funzione (Fig. Q).

**NOTA:** allungare il filo diventa più difficile mano a mano che il filo di taglio si accorcia.

**⚠ AVVERTENZA!** Non rimuovere o alterare la lama taglia-filo. Una lunghezza eccessiva del filo causerà il surriscaldamento del motore, con il rischio di lesioni gravi.

## SOSTITUZIONE DEL FILO

**NOTA:** utilizzare esclusivamente il filo di taglio in nylon raccomandato con diametro non superiore a 2,4 mm. L'uso di fili diversi da quello specificato comporta il rischio di surriscaldamento o danneggiamento del decespugliatore.

**⚠ AVVERTENZA!** Non usare filo metallico o rinforzato in metallo, corda, ecc. perché possono rompersi e diventare proiettili pericolosi.

1. Rimuovere il gruppo batteria.
2. Rimuovere il filo di taglio rimanente, se necessario.
3. Tagliare 4 m di filo e inserire il filo nel foro di montaggio all'interno dell'occhiello (Fig. R). Spingere e tirare il filo dall'altro lato finché da entrambi i lati della bobina non fuoriescono quantità uguali.
4. Premere e contemporaneamente ruotare il gruppo coperchio inferiore in direzione della freccia per avvolgere il filo sulla bobina, finché da ogni lato non rimangono circa 14 cm di filo (Fig. S).
5. Spingere il gruppo coperchio inferiore verso il basso e contemporaneamente tirare i fili per farli avanzare manualmente e controllare il corretto assemblaggio della testa di taglio.

Se il filo di taglio si rompe a livello dell'uscita del filo o se il filo di taglio non viene rilasciato alla pressione della testa di taglio, seguire i passaggi descritti di seguito.

1. Premere le linguette di rilascio sul coperchio superiore e rimuovere il gruppo coperchio inferiore estraendolo in linea retta (Fig. T e U).
2. Rimuovere il filo di taglio dalla bobina.
3. Tenendo con una mano il gruppo coperchio inferiore, afferrare con l'altra mano il gruppo coperchio inferiore e allineare le linguette sul coperchio

superiore con i fori nella base del gruppo coperchio inferiore (Fig. V); usare il palmo della mano per premere e il gruppo coperchio inferiore finché le linguette non si incastrano nel coperchio superiore.

4. Seguire le istruzioni alla sezione “SOSTITUZIONE DEL FILO” per ricaricare il filo di taglio.

### SOSTITUZIONE DELLA LAMA A 3 DENTI

1. Rimuovere il gruppo coperchio inferiore come illustrato in Fig. T e U.
2. Inserire lo stabilizzatore, quindi usare una chiave a impulsi per allentare il dado, come illustrato in Fig. X1 e X2.
3. Rimuovere tutti i componenti ad eccezione della flangia interna e del dado (Fig. X3) e installare la lama sull'albero motore come illustrato in Fig. X4.
4. Serrare la lama come illustrato in Fig. X5.

## MANUTENZIONE

**⚠ AVVERTENZA!** Per la riparazione dell'apparecchio, usare esclusivamente parti di ricambio identiche. Ispezionare l'apparecchio e sottoporlo a regolare manutenzione. Per garantire sicurezza e affidabilità, tutte le riparazioni e sostituzioni devono essere eseguite da un tecnico qualificato.

**⚠ AVVERTENZA!** Per evitare lesioni gravi, rimuovere il gruppo batteria dall'apparecchio prima di pulirlo o ripararlo e prima di sostituire gli accessori o rimuovere del materiale dall'apparecchio.

**⚠ ATTENZIONE!** L'ostruzione delle aperture di ventilazione impedirà il flusso d'aria all'interno del vano motore, causando il surriscaldamento o il danneggiamento del motore.

### PULIZIA DELL'APPARECCHIO

- Pulire l'apparecchio usando un panno inumidito con del detergente neutro. Evitare l'infiltrazione di liquidi all'interno dell'apparecchio. Non immergere mai alcuna parte dell'apparecchio in liquidi.
- Non usare detergenti aggressivi sulle superfici esterne in plastica o sull'impugnatura perché possono essere danneggiate da alcuni oli aromatici, come pino e limone, e da solventi come il cherosene. L'umidità comporta il rischio di scossa elettrica. Rimuovere eventuali segni di umidità con un panno asciutto e morbido.
- Usare una piccola spazzola o un piccolo aspirapolvere per pulire le aperture di ventilazione sulla parte posteriore dell'apparecchio.
- Mantenere le aperture di ventilazione sul vano motore

prive di detriti.

### LUBRIFICAZIONE DEGLI INGRANAGGI DI TRASMISSIONE

Gli ingranaggi di trasmissione nella scatola degli ingranaggi devono essere lubrificati periodicamente con del grasso per ingranaggi. Controllare il livello del grasso della scatola degli ingranaggi ogni 50 ore di utilizzo rimuovendo la vite sigillante sul lato della scatola.

Se ai lati dell'ingranaggio non è visibile del grasso, seguire i passaggi riportati di seguito per riempirlo di grasso fino ai 3/4 della sua capacità. Non riempire completamente gli ingranaggi di trasmissione.

1. Posizionare il decespugliatore su un lato affinché la vite sigillante sia rivolta verso l'alto (Fig. W).
2. Usare la chiave multifunzione fornita per allentare e rimuovere la vite sigillante.
3. Usare una siringa per grasso (non inclusa) per iniettare del grasso nel foro della vite; non superare i 3/4 della capacità.
4. Serrare la vite sigillante dopo il riempimento.

### CONSERVAZIONE DELL'APPARECCHIO

- Rimuovere il gruppo batteria dal decespugliatore quando non è in uso.
- Pulire accuratamente l'apparecchio prima di riparlo.
- Conservare l'apparecchio in un luogo asciutto, ben ventilato, elevato o chiuso a chiave, e fuori dalla portata dei bambini. Non conservare l'apparecchio sopra o in prossimità di fertilizzanti, benzina o altre sostanze chimiche.

### Protezione dell'ambiente



Non smaltire apparecchi elettrici, caricabatteria e batterie insieme ai rifiuti domestici. Portare il prodotto presso un centro di riciclaggio autorizzato affinché venga raccolto separatamente. Gli apparecchi elettrici devono essere portati presso un centro di riciclaggio ecocompatibile.

IT

## RISOLUZIONE DEI PROBLEMI

IT

| PROBLEMA   | CAUSA  | SOLUZIONE   |
|--|--|---|
| Il decespugliatore non si avvia.                 | <ul style="list-style-type: none"> <li>■ Il gruppo batteria non è installato sul decespugliatore.</li> <li>■ Nessun contatto elettrico tra il decespugliatore e la batteria.</li> <li>■ Il gruppo batteria è scarico.</li> <li>■ Il pulsante di sbloccaggio e l'interruttore a leva non sono stati premuti contemporaneamente.</li> </ul>  | <ul style="list-style-type: none"> <li>■ Installare il gruppo batteria sul decespugliatore.</li> <li>■ Rimuovere la batteria, ispezionare i contatti e reinstallare il gruppo batteria.</li> <li>■ Ricaricare il gruppo batteria.</li> <li>■ Per avviare il decespugliatore, tenere premuto il pulsante di sbloccaggio contemporaneamente all'interruttore a leva.</li> </ul>   |
| Il decespugliatore si arresta durante il taglio. | <ul style="list-style-type: none"> <li>■ La cuffia di protezione non è installata sul decespugliatore, causando l'eccessiva lunghezza del filo di taglio e il sovraccarico del motore.</li> <li>■ Il filo di taglio è troppo spesso.</li> <li>■ L'albero motore o la testa di taglio sono bloccati dall'erba.</li> <li>■ Il motore è sovraccarico.</li> <li>■ Il gruppo batteria o il decespugliatore sono troppo caldi.</li> <li>■ Il gruppo batteria si è scollegato sull'apparecchio.</li> <li>■ Il gruppo batteria è scarico.</li> </ul> | <ul style="list-style-type: none"> <li>■ Rimuovere il gruppo batteria e installare la cuffia di protezione sul decespugliatore.</li> <li>■ Utilizzare filo di taglio in nylon raccomandato con diametro non superiore a 2,4 mm.</li> <li>■ Arrestare il decespugliatore, rimuovere la batteria e rimuovere l'erba dall'albero motore e dalla testa di taglio.</li> <li>■ Rimuovere la testa di taglio dall'erba. Il motore si riavvierà alla rimozione del carico. Durante il taglio, spostare la testa del decespugliatore dentro e fuori dall'erba da tagliare e rimuovere non più di 20 cm di lunghezza a ogni passata.</li> <li>■ Attendere che la temperatura del gruppo batteria e del decespugliatore scenda al di sotto di 67°C.</li> <li>■ Reinstallare il gruppo batteria.</li> <li>■ Ricaricare il gruppo batteria.</li> </ul> |

| PROBLEMA  | CAUSA   | SOLUZIONE  |
|---|---|--|
| Non è possibile allungare il filo della testa del decespugliatore.                                      | <ul style="list-style-type: none"> <li>■ L'albero motore o la testa di taglio sono bloccati dall'erba.</li> <li>■ La bobina non contiene abbastanza filo.</li> <li>■ La testa di taglio è sporca.</li> <li>■ Il filo è impigliato sulla bobina.</li> <li>■ Il filo è troppo corto.</li> </ul> | <ul style="list-style-type: none"> <li>■ Arrestare il decespugliatore, rimuovere la batteria e pulire l'albero motore e la testa di taglio.</li> <li>■ Rimuovere la batteria e sostituire il filo di taglio. Seguire le istruzioni alla sezione "SOSTITUZIONE DEL FILO" in questo manuale.</li> <li>■ Rimuovere la batteria e pulire la testa di taglio.</li> <li>■ Rimuovere la batteria, rimuovere il filo dalla testa di taglio e riavvolgerlo. Seguire le istruzioni alla sezione "SOSTITUZIONE DEL FILO" in questo manuale.</li> <li>■ Rimuovere la batteria, quindi tirare il filo manualmente, e nel contempo premere e rilasciare la testa di taglio.</li> </ul> |
| L'erba si avvolge intorno alla testa di taglio e al vano motore.  | <ul style="list-style-type: none"> <li>■ Tagliare l'erba a livello del terreno.</li> </ul>  | <ul style="list-style-type: none"> <li>■ Tagliare l'erba dall'alto verso il basso, rimuovendo non più di 20 cm a ogni passata per evitare il problema.</li> </ul>  |
| Incrinature sulla testa di taglio, o il gruppo coperchio inferiore è allentato dal coperchio superiore. | <ul style="list-style-type: none"> <li>■ La testa di taglio è usurata.</li> </ul>   | <ul style="list-style-type: none"> <li>■ Sostituire immediatamente la testa di taglio, affidando l'operazione a un tecnico qualificato.</li> </ul>   |

## GARANZIA

### CONDIZIONI DELLA GARANZIA EGO

Visitare il sito web [egopowerplus.com](http://egopowerplus.com) per consultare le condizioni complete della garanzia EGO.

## LEES ALLE INSTRUCTIES!



### LEES DE GEBRUIKSAANWIJZING

**⚠ WAARSCHUWING:** Restrisico! Personen met elektronische apparaten, zoals pacemakers, moeten eerst hun arts(en) raadplegen voordat ze dit product gebruiken. De werking van een elektrisch apparaat in de nabijheid van een pacemaker kan een storing of defect van de pacemaker veroorzaken.

NL



Veiligheidswaarschuwing



Draag oogbescherming - Draag altijd een veiligheidsbril met zijschermen en een gelaatsscherm als u dit product gebruikt.



Draag oorbescherming - Draag altijd gehoorbescherming wanneer u dit product gebruikt.



Draag hoofdbescherming - Draag een goedgekeurde veiligheidshelm om uw hoofd te beschermen.



Installeer geen ronde snijmesses.



Breedte - De max. snijbreedte van de gras-trimmer



Zorg dat andere personen en huisdieren zich op minstens 15m van de trimmer bevinden wanneer deze in gebruik is.



Gewaarborgd geluidsvermogensniveau. Geluidsemisatie voor de omgeving in overeenstemming met de richtlijnen van de Europese Unie.



Gooi elektrisch afval niet via het huishoudelijk afval weg. Breng het naar een geautoriseerd recyclingbedrijf.

$n_0$

Snelheid zonder belasting-Draaisnelheid, zonder belasting



Gelijkstroom

## VEILIGHEIDSSYMBOLEN

**⚠ WAARSCHUWING:** De werking van het apparaat kan leiden tot het rondslingeren van (vreemde) objecten die in uw ogen kunnen terechtkomen. Dit kan leiden tot ernstig oogletsel. Wanneer u elektrische apparaten gebruikt, zorg er dan voor dat u altijd een veiligheidsbril (met zijschermen) of een gelaatsscherm draagt. We bevelen aan om een gelaatsscherm over uw bril of standaard veiligheidsbril met zijschermen te gebruiken.



De gebruiker moet de gebruiksaanwijzing lezen om het risico op letsel te beperken.



Draag veiligheidsschoenen - Draag slipvrije veiligheidsschoenen als u dit apparaat gebruikt.



Draag veiligheidshandschoenen - Bescherm uw handen met handschoenen bij de omgang met de messen of de mesbeschermer.



Houd rekening met de druk van het mes - Waarschuw de bediener voor de gevaren van de stuwkracht van het mes.



Diameter - De diameter van de nylon snijdraad



Rondvliegende voorwerpen kunnen terugkaatsen wat tot persoonlijk letsel en materiële schade kan leiden. Zorg dat andere personen en huisdieren uit de buurt blijven van de bosmaaier wanneer deze in gebruik is.



Gebruik het apparaat niet in de regen en laat het tevens niet buiten achter als het regent.



Dit product is in overeenstemming met de EG-richtlijnen.

V Spanning

.../min Per minuut

kg Kilogram



## SPECIFICATIES

|  |                              |  |  |
|--|------------------------------|--|--|
|  | Trimmerkop                   | Mes met 3 snijbladen                           |  |
| Spanning   | 56 V $\overline{\text{---}}$ | 56 V $\overline{\text{---}}$                   |  |
| Aanbevolen bedrijfstemperatuur:  | 0°C-40°C                     |  |  |
| Aanbevolen opslagtemperatuur:  | -20°C-70°C                   |  |  |
| Optimale laadtemperatuur   | 5°C-40°C                     |  |  |
| Snelheid zonder belasting  | 5000/6000 min <sup>-1</sup>  | 5000/6000 min <sup>-1</sup>                    |  |
| Type snijdraad   | 2,4mm                        | /  |  |
| Maaiblad   | /                            | ABB1203  |  |
| Maaibreedte  | 38 cm                        | 30cm   |  |
| Gewicht ( zonder accupack)   | 4,21Kg                       | 4,45 kg  |  |
| Gemeten geluidsvermogensniveau L <sub>WA</sub>   | 94,6 dB(A)<br>K=1,8 dB(A)    | 96,5 dB(A)<br>K=1,88 dB(A)                     |  |
| Geluidsdruk niveau bij het oor van de bediener L <sub>PA</sub>                         | 81,7 dB(A)<br>K=2,5 dB(A)    | 76,5 dB(A)<br>K=3 dB(A)                        |  |
| Gewaarborgd geluidsvermogensniveau L <sub>WA</sub> (in overeenstemming met 2000/14/EC) | 96 dB(A)                     | 98 dB(A)                                       |  |
| Trilling a <sub>n</sub>  | Voorste handgreep            | 3,2 m/s <sup>2</sup><br>K=1,5 m/s <sup>2</sup> | 2,8 m/s <sup>2</sup><br>K=1,6 m/s <sup>2</sup> |
|  | Achterste handgreep          | 2,3 m/s <sup>2</sup><br>K=1,5 m/s <sup>2</sup> | 3,1 m/s <sup>2</sup><br>K=1,6 m/s <sup>2</sup> |

- De opgegeven totale vibratiewaarde is gemeten volgens de standaard testmethode en kan worden gebruikt om het apparaat met een ander apparaat te vergelijken;
- De opgegeven totale vibratiewaarde kan tevens worden gebruikt in een voorafgaande beoordeling op blootstelling.

**OPMERKING:** De vibratie-afgifte tijdens het werkelijk gebruik van het elektrisch gereedschap kan verschillen van de opgegeven totale waarde; Om de bediener te beschermen dient de gebruiker tijdens het gebruik handschoenen en gehoorbescherming te dragen.

## BESCHRIJVING

### KEN UW TRIMMER (afb. A1)

- Grensring
- Schakelaar
- Achterste handgreep
- Luchtinlaat
- Vergrendelingsknop
- Hoog-/laag snelheidsschakelaar
- Schouder-riem bevestigingssoog
- Aanpasbare voorste handgreep
- Schouderriem
- Multifunctionele sleutel
- Binnenzeskantsleutel
- Trimmerkop (aantikkop)
- Snijdraad
- Ontgrendelingsknop
- Mes voor het snijden van de draad
- Bescherming
- Uitwerpmechanisme
- Elektrische contacten
- Vergrendeling
- Rubberen protector
- Accuvrijgaveknop
- Veiligheidsgreep (alleen voor de bosmaaierkop)
- Vergrendelstang voor veiligheidsgreep (alleen voor de bosmaaierkop)
- Buitenflens (alleen voor de de bosmaaierkop)
- Moer (alleen voor de de bosmaaierkop)
- Schroeven (alleen voor de de bosmaaierkop)

## INHOUD VAN DE VERPAKKING

| NAAM ONDERDEEL           | AANTAL |
|--------------------------|--------|
| Trimmer                  | 1      |
| Bescherming              | 1      |
| Voorste handgreep        | 1      |
| Binnenzeskantsleutel     | 1      |
| Multifunctionele sleutel | 1      |
| Schouderriem             | 1      |
| Gebruiksaanwijzing       | 1      |
| Vergrendelingsstang      | 1      |
| Buitenste flens          | 1      |
| Moer                     | 1      |
| schroef                  | 2      |

NL

## MONTAGE

### HET SCHERM MONTEREN

1. Maak de twee schroeven los en verwijder ze van de bescherming (afb. B).
2. Breng de bevestigingsgaten van de bescherming in één lijn met de montagegaten en bevestig de bescherming vervolgens met twee schroeven en twee veerringen op de asbasis (afb. C).

**OPMERKING:** Zorg ervoor dat het scherm volgens afb. B & C is bevestigd; een andere bevestiging kan groot gevaar veroorzaken!

### DE VOORSTE HANDGREEP MONTEREN EN AANPASSEN

1. Draai de vergrendelingsstang in de voorste handgreep los en verwijder de vergrendelingsstang en vleugelmoer van de voorste handgreep (afb. D).

**OPMERKING:** Monteer de veiligheidsgreep met de twee schroeven aan de lus greep als het gereedschap is voorzien van een bosmaaierkop.

**OPMERKING:** Er zijn twee soorten vergrendelingsstangen, de kortere is voor de trimmerkop. De langere is voor de bosmaaierkop. Let op bij de keuze van de juiste vergrendelingsstang bij gebruik van het gereedschap.

|     |                   |     |  |
|-----|-------------------|-----|--|
| D-1 | Voorste handgreep | D-4 | Veiligheidsgreep (alleen voor de bosmaaierkop) |
| D-2 | Klemblok          | D-5 | Vergrendelingsstang                            |
| D-3 | Vleugelmoer       |     |  |

2. Druk de voorste handgreep op de as aan de voorkant van de grensring. Plaats het nooit tussen de grensring en het gedeelte van de achterste handgreep (afb. E).
3. Steek het klemblok in de handgreepsleuf (afb. F).
4. Bevestig de vergrendelingsstang en maak hem alvast vast met de vleugelmoer. Zorg ervoor dat de voorste handgreep naar boven is gericht zodat het in richting van de achterste handgreep wijst (afb. G).
5. Pas de voorste handgreep tussen de grensring en het label aan om ervoor te zorgen dat de voorste arm recht is tijdens het gebruik (afb. H).
6. Vergrendel de hendel op de vergrendelingsstang. (Afb. I).

**⚠ WAARSCHUWING:** Het gereedschap kan niet worden gebruikt als de voorste handgreep niet veilig bevestigd is.

### DE SCHOUDERRIEM BEVESTIGEN

Druk het bevestigingshaak in om hem te openen en bevestig hem aan de schouderriem bevestigingssoog (afb. J).

## GEBRUIK

**⚠ WAARSCHUWING:** Draag altijd een afsluitende veiligheidsbril of een veiligheidsbril met zijschermen en gehoorbescherming. Als u dat niet doet, kan dit ertoe leiden dat weggeslingerde voorwerpen in uw ogen terecht komen en ander mogelijk ernstig letsel.

U kunt dit product gebruiken voor onderstaand vermelde doeleinden:

**Trimmen:** wordt gebruikt voor het verwijderen van gras en onkruid langs muren, hekken, bomen en perken.

**Snijden:** wordt gebruikt voor het maaien van gras dat moeilijk te bereiken is met een normale grasmaaier.

**OPMERKING:** Het gereedschap mag alleen voor het voorheen genoemde doeleinde worden gebruikt. Ieder ander gebruik, bijvoorbeeld het trimmen van randen, is in dit geval misbruik.

### HET ACCUPACK INSTALLEREN/VERWIJDEREN

Gebruik alleen met in afb. A2 vermelde accupacks en opladers.

### Voor de eerste ingebruikname volledig opladen

#### Installeren

Breng de geleiders van de accu overeen met de montageleuven en druk het accupack naar beneden totdat u "klik" hoort (afb. K).

#### Verwijderen

Druk de accuvrijgaveknop naar beneden en trek het accupack eruit zoals weergegeven in afb. L.

|     |                  |
|-----|------------------|
| L-1 | Accuvrijgaveknop |
|-----|------------------|

### DE GRASTRIMMER VASTHOUDEN

Voor een veilig en beter gebruik draagt u de schouderriem over de schouder zoals weergegeven in afb. N. Stel de schouderriem in zodat u een prettige gebruikssituatie heeft. Houd de grastrimmer met beide handen vast: Één hand op de achterste handgreep en de andere op de voorste handgreep.

**OPMERKING:** De snijkop bevindt zich parallel tot de grond op een geschikte snijafstand zonder dat de bediener naar voren moet bukken (afb. N).

Er bestaan twee mogelijkheden om de riem los te maken. Haal hem direct van de schouder (afb. O) of druk de haak van de riem en haal hem van het schouderriem bevestigingssoog op de as (afb. P).

**⚠ WAARSCHUWING:** De schouderriem heeft ook een snelontspanningsmechanisme voor in gevaarlijke situaties. Als er sprake is van een noodgeval, haalt u hem direct van de schouder, ongeacht hoe de riem zit.

## DE GRASTRIMMER STARTEN/STOPPEN (afb. M)

### Starten

Duw de ontgrendelingshendel omlaag en schakel vervolgens de schakelaar in. Het veranderen van de druk op de schakelaar heeft een variabele rotatiesnelheid van de snijdraad tot gevolg. Meer druk betekent een hogere snelheid.

### Stoppen

Laat de schakelaar los.

**OPMERKING:** De motor draait alleen wanneer de vergrendelingsknop en schakelaar beiden gedrukt worden.

### Functie voor het instellen van de snelheid (afb. M)

De grastrimmer bezit twee snelheden. Positie "1" is de lage snelheid terwijl positie "2" de hoge snelheid is.

|     |                                |
|-----|--------------------------------|
| M-1 | Hoog-/laag snelheidsschakelaar |
| M-2 | Vergrendelingsknop             |
| M-3 | Schakelaar                     |

## DE GRASTRIMMER GEBRUIKEN

Voor gebruik, verwijder alle mogelijke obstakels uit de te maaien zone. Verwijder voorwerpen zoals stenen, gebroken glas, spijkers, draad of koorden, die opgegooid kunnen worden of in het snijelement terecht kunnen komen. Zorg dat er zich geen kinderen, omstanders of huisdieren in de omgeving bevinden. Houd kinderen, omstanders en huisdieren op een afstand van minstens 15 m; er is nog altijd risico op het wegslingeren van voorwerpen richting omstanders. Omstanders worden aangespoord om oogbescherming te dragen. Als iemand in de buurt komt, stop de motor en het snijelement dan onmiddellijk.

### Controleer voor elk gebruik op beschadigde/versleten onderdelen

Controleer de aantikkop, scherm en voorste handgreep en vervang de onderdelen die gebarsten, scheef getrokken, gebogen of beschadigd zijn.

Het mes voor het snijden van de draad op de rand van het scherm kan na verloop van tijd bot worden. Het is aanbevolen om het mes regelmatig met een vijl te slijpen of door een nieuw mes te vervangen.

### Maak de trimmer na elk gebruik schoon.

#### DE LENGTE VAN DE SNIJDRAAD AANPASSEN

De snijkop stelt de bediener in staat om meer snijdraad vrij te geven zonder de motor te moeten stoppen. Als de draad uitgerafeld of versleten raakt, geef extra draad vrij door de snijkop tijdens gebruik van de trimmer voorzichtig tegen de grond te tikken (afb. Q).

**OPMERKING:** Het vrijgeven van draad wordt moeilijker naarmate de draad korter wordt.

**⚠ WAARSCHUWING:** Verwijder of pas de draadsnijder niet aan. Een te lange snijdraad zal de motor oververhitten wat tot ernstig persoonlijk letsel kan leiden.

#### DE DRAAD VERVANGEN

**OPMERKING:** Gebruik de geadviseerde nylon snijdraad met een diameter van niet meer dan 2,4 mm. Het gebruik van een andere dan de aanbevolen draad kan leiden tot oververhitting of schade aan de grastrimmer.

**⚠ WAARSCHUWING:** Gebruik nooit een met metaal versterkte draad, kabel of koord etc. Deze kunnen afbreken en een gevaarlijk projectiel worden.

1. Het accupack verwijderen.
2. Verwijder indien nodig de overgebleven snijdraad.
3. Snij 4m af van de snijdraad en steek de draad in het bevestigingsgat in het oogje (afb. R). Druk en trek de draad van de andere kant totdat aan beide zijden van de spoel evenveel draad is.
4. Druk, terwijl u de gemonteerde onderste afdekking in de richting van de pijl draait, om de draad op de spoel te draaien totdat ongeveer 14 cm van de draad aan iedere kant uitsteekt (afb. S).
5. Druk de gemonteerde onderste afdekking naar beneden terwijl u met de hand aan de draden trekt om de draden naar voren te halen en om te kijken of de snijkop goed zit.

Als de draad aan de uitgang breekt of als de draad niet verder loopt of vast zit in de trimmerkop, dient u de volgende stappen uit te voeren:

1. Druk op de ontgrendelingsknoppen op de bovenste afdekking en verwijder de gemonteerde onderste afdekking door deze recht eruit te trekken (afb. T & U).
2. Verwijder de snijdraad van de spoel.
3. Terwijl u met één hand de gemonteerde onderste afdekking vasthoudt, gebruikt u de andere hand om de gemonteerde onderste afdekking vast te pakken en de lipjes op de bovenste afdekking in een lijn te brengen met de gemonteerde onderste afdekking

(afb. V); Gebruik uw handpalm om de gemonteerde onderste afdekking in te drukken totdat de lipjes in de bovenste afdekking grijpen.

4. Volg de instructies in "DE DRAAD VERVANGEN" om een nieuwe snijdraad te plaatsen.

### 3 - MES MET 3 SNIJBLADEN VERVANGEN

1. Verwijder de onderste afdekking zoals weergegeven in afb. T & U
2. Plaats de stabilisator en gebruik vervolgens een steeksleutel om de moer los te maken zoals weergegeven in afb. X1 & X2.
3. Verwijder alle onderdelen behalve de binnenste flens en moer (afb. X3), monteer het mes op de motorschacht zoals weergegeven in afb. X4.
4. Draai het mes vast zoals weergegeven in afb. X5.

NL

## ONDERHOUD

**⚠ WAARSCHUWING:** Bij reparatie, gebruik uitsluitend identieke reserve-onderdelen. Controleer en onderhoud het gereedschap regelmatig. Laat alle reparaties uitvoeren door een vakbekwame reparateur om een continue veiligheid en betrouwbaarheid te waarborgen.

**⚠ WAARSCHUWING:** Om ernstig persoonlijk letsel te voorkomen, haal het accupack uit het gereedschap voor onderhoud, reiniging, het wijzigen van accessoires of het verwijderen van materiaal.

**⚠ OPGELET:** Belemmeringen in de ventilatieopeningen beletten de aanvoer van lucht in de motorbehuizing. Dit kan oververhitting of schade aan de motor veroorzaken.

### HET APPARAAT SCHOONMAKEN

- Maak het apparaat schoon met een vochtige doek en mild schoonmaakmiddel. Zorg dat er geen vloeistof het gereedschap binnendringt. Dompel nooit een deel van het gereedschap in een vloeistof.
- Maak de kunststof behuizing of handgreep niet schoon met een agressief schoonmaakmiddel. Deze kunnen door bepaalde aromatische oliën, zoals pijnboom en citroen, en oplosmiddelen, zoals kerosine, worden beschadigd. Vocht kan risico op elektrische schokken met zich meebrengen. Veeg eventueel vocht weg met een zachte en droge doek.
- Maak de ventilatieopeningen van het achterste gedeelte van de behuizing schoon met een kleine borstel of een stofzuiger met een kleine borstel.
- Houd de luchtopeningen in de motorbehuizing op elk

moment vrij van vuil.

### SMEREN VAN DE VERSNELLING

De versnelling in de versnellingsbak dient regelmatig met smeervet voor versnellingen te worden gevet. Controleer het vetniveau van de versnellingsbak ongeveer alle 50 uur van gebruik door de vergrendelschroef aan de zijkant van de bak te verwijderen.

Als u geen vet meer ziet aan de flanken van de versnelling, dient u de onderstaande stappen te volgen voor het tot 3/4 bijvullen van het vet. Vul de versnellingen niet helemaal.

1. Houd de grastrimmer op zijn zijkant zodat de verzegelingschroef naar boven is gericht (afb. W).
2. Gebruik de meegeleverde multifunctionele sleutel en verwijder de vergrendelschroef.
3. Gebruik een vetspuit (niet inbegrepen) om een beetje vet in het schroefgat te spuiten; niet meer dan 3/4 van de capaciteit vullen.
4. Maak de vergrendelschroef na het injecteren weer vast.

### HET APPARAAT OPBERGEN

- Verwijder het accupack van de grastrimmer wanneer u hem niet gebruikt.
- Maak het gereedschap grondig schoon voordat u het opbergt.
- Berg het apparaat op in een droge, goed geventileerde en afsluitbare ruimte of op een hoge hoogte en buiten het bereik van kinderen. Berg het gereedschap niet op in de buurt van meststoffen, benzine of andere chemicaliën.

### Het milieu beschermen



Gooi geen elektrische apparatuur, gebruikte batterijen en laders weg via het huishoudelijk afval! Geef dit product af bij een geautoriseerd recyclingbedrijf en zorg dat het apart kan worden ingezameld. Elektrisch gereedschap moet worden afgegeven voor een milieuvriendelijke recycling.

## PROBLEEMOPLOSSING

| PROBLEEM   | OORZAAK  | OPLOSSING   |
|--|--|---|
| De grastrimmer start niet.                       | <ul style="list-style-type: none"> <li>■ Het accupack is niet met de grastrimmer verbonden.</li> <li>■ Er is geen elektrisch contact tussen de grastrimmer en accu.</li> <li>■ Het accupack is uitgeput.</li> <li>■ De vergrendelingsknop en schakelaar worden niet gelijktijdig ingedrukt.</li> </ul>   | <ul style="list-style-type: none"> <li>■ Verbind het accupack met de grastrimmer.</li> <li>■ Verwijder de accu, controleer de contacten en bevestig het accupack weer.</li> <li>■ Laad het accupack op.</li> <li>■ Om de grastrimmer te starten, duw de vergrendelingsknop omlaag en houd op deze positie. Duw vervolgens de schakelaar in.</li> </ul>  |
| De grastrimmer stopt tijdens het maaien.         | <ul style="list-style-type: none"> <li>■ De bescherming is niet op de grastrimmer gemonteerd waardoor de snijdraad te lang is en de motor oververhit raakt.</li> <li>■ Er wordt zware snijdraad gebruikt.</li> <li>■ De motoras of snijkop zit vol met gras.</li> <li>■ De motor is overbelast.</li> <li>■ Het accupack of de grastrimmer is te heet.</li> <li>■ Het accupack is niet met het gereedschap verbonden.</li> <li>■ Het accupack is uitgeput.</li> </ul> | <ul style="list-style-type: none"> <li>■ Verwijder het accupack en monteer de bescherming op de trimmer.</li> <li>■ Gebruik de geadviseerde nylon snijdraad met een diameter van niet meer dan 2,4 mm.</li> <li>■ Stop de grastrimmer, haal het accupack uit en verwijder het gras van de motoras en snijkop.</li> <li>■ Verwijder het gras uit de snijkop. De motor werkt opnieuw zodra het gras is verwijderd. Beweeg de snijkop tijdens het maaien in en uit het gras en verwijder niet meer dan 20 cm gras in één maaibeurt.</li> <li>■ Laat het accupack of de trimmer afkoelen totdat de temperatuur lager dan 67°C is.</li> <li>■ Installeer het accupack opnieuw.</li> <li>■ Laad het accupack op.</li> </ul> |
| De draad wordt niet door de snijkop vrijgegeven. | <ul style="list-style-type: none"> <li>■ De motoras of snijkop zit vol met gras.</li> <li>■ Er is onvoldoende draad op de spoel.</li> <li>■ De snijkop is vuil.</li> <li>■ De draad is verstrikt geraakt op de spoel.</li> <li>■ De draad is te kort.</li> </ul>   | <ul style="list-style-type: none"> <li>■ Stop de grastrimmer, verwijder de accu en reinig de motoras en snijkop.</li> <li>■ Verwijder de accu en vervang de snijdraad volgens de sectie "DE DRAAD VERVANGEN" in deze handleiding.</li> <li>■ Verwijder de accu van de snijkop.</li> <li>■ Verwijder de accu en verwijder de snijdraad van de snijkop en wikkel op, zoals beschreven in het gedeelte "DE SNIJDRAAD VERVANGEN" in deze handleiding.</li> <li>■ Verwijder het accupack en trek eventjes aan de draden terwijl de snijkop afwisselend wordt ingeduwd en losgelaten.</li> </ul>  |

| PROBLEEM  | OORZAAK   | OPLOSSING   |
|---|---|---|
| Gras wordt om de snijkop en motorbehuizing gewikkeld.   | <ul style="list-style-type: none"><li>▪ Lang gras wordt op grondniveau gemaaid.</li></ul> | <ul style="list-style-type: none"><li>▪ Maai lang gras van boven naar onder en verwijder niet meer dan 20 cm per maaibeurt om omwikkeling te voorkomen.</li></ul> |
| Scheuren op de snijkop of de gemonteerde onderste afdekking laat los van de bovenste afdekking. | <ul style="list-style-type: none"><li>▪ De snijkop is versleten.</li></ul>                | <ul style="list-style-type: none"><li>▪ Vervang de snijkop direct. Laat dit door een gekwalificeerde servicemonteur uitvoeren.</li></ul>                          |

**NL**

## GARANTIE

### EGO GARANTIEBELEID

Bezoek alstublieft de website [egopowerplus.com](http://egopowerplus.com) voor de volledige voorwaarden van het EGO garantiebeleid.

## LÆS ALLE ANVISNINGER!



### LÆS BRUGERVEJLEDNINGEN

**⚠ ADVARSEL:** Resterende risiko! Folk med elektroniske anordninger, såsom pacemakere, bør spørge deres læge(r) til råds, før de bruger dette produkt. Betjening af elektrisk udstyr i umiddelbar nærhed af et hjerte pacemaker kan forårsage forstyrrelser eller svigt af pacemakeren.



#### Sikkerhed Alert



Bær beskyttelsesbriller - bær altid beskyttelsesbriller eller sikkerhedsbriller med side skjolde og en fuld ansigtsskærm, når du betjener dette produkt.



Brug høreværn - brug altid høreværn, når dette produkt bruges.



Brug hovedbeskyttelse - bær en godkendt sikkerhedshjelm til at beskytte dit hoved.



Montér ikke runde skæreknive



Bredde - græstrimmerens maks. klippebredde



Sørg for, at andre mennesker og kæledyr står mindst 15 m væk fra græstrimmeren, når den er i brug.



Garanteret lydniveau. Støjemission til miljøet opfylder EF-direktivet.



Elektriske affaldsprodukter må ikke bortskaffes sammen med husholdningsaffald. Bring det til en godkendt genbrugsplads.

$n_0$

Hastighed uden belastning - Rotationshastighed, uden belastning



Direct Current

## SIKKERHEDSSYMBOLER

**⚠ ADVARSEL:** Når elværktøjer bruges, er der altid en risiko for at genstande slynges ind i øjnene, som kan føre til alvorlige øjenskader. Inden du begynder elværktøj drift, altid bære beskyttelsesbriller eller sikkerhedsbriller med side skjolde og en fuld ansigtsmaske når det er nødvendigt. Vi anbefaler en Wide Vision Safety Maske til brug over briller eller standard sikkerhedsbriller med sideskærme.



For at mindske risikoen for skader skal brugeren læse brugsanvisningen.



Benyt sikkerhedsfodtøj - benyt skridsikkert sikkerhedsfodtøj, når du bruger dette udstyr.



Brug beskyttelseshandsker - beskyt dine hænder med handsker, når du håndterer kniven eller skærmen til kniven.



Pas på tilbageslag fra savklingen - advar brugeren om faren for ryk i kniven.



Diameter - diameteren af nylontrimmersnoren



Genstande, der udslynges kan rikochettere og resultere i personskade eller skade på ejendom. Sørg for, at andre personer og kæledyr er mindst 15 m væk fra buskrydderen, når den er i brug.



Må ikke bruges i regn og må ikke efterlades udenfor i regnvej.



Dette produkt er i overensstemmelse med gældende EU-direktiver.

V Spænding

.../min Per minut

kg Kg

DK

## SPECIFIKATIONER

|   |                             |  |  |
|---|-----------------------------|--|--|
|   | Trimmerhoved                | 3-tænderblad                                   |  |
| Spænding  | 56 V ---                    | 56 V ---                                       |  |
| Anbefalet driftstemperatur:                                     | 0-40 °C                     |  |  |
| Anbefalet opbevaringstemperatur:                                | -20°C-70°C                  |  |  |
| Optimal opladning Temperatur                                    | 5°C-40°C                    |  |  |
| Hastighed ubelastet   | 5000/6000 min <sup>-1</sup> | 5000/6000 min <sup>-1</sup>                    |  |
| Type trimmersnor  | 2,4 mm                      | /  |  |
| Skæreklinge   | /                           | ABB1203  |  |
| Trimmebredde  | 38 cm                       | 30cm   |  |
| Vægt (uden batteri)   | 4,21 Kg                     | 4,45 kg  |  |
| Målt lydeffektniveau L <sub>WA</sub>                            | 94,6 dB(A)<br>K=1,8 dB(A)   | 96,5 dB(A)<br>K=1,88 dB(A)                     |  |
| Lydtryk ved brugers øre L <sub>PA</sub>                         | 81,7 dB(A)<br>K=2,5 dB(A)   | 76,5 dB(A)<br>K=3 dB(A)                        |  |
| Garanteret lydeffekt L <sub>WA</sub> (i henhold til 2000/14/EF) | 96 dB(A)                    | 98 dB(A)                                       |  |
| Vibration a <sub>h</sub>  | Forreste hjælpe-håndtag     | 3,2 m/s <sup>2</sup><br>K=1,5 m/s <sup>2</sup> | 2,8 m/s <sup>2</sup><br>K=1,6 m/s <sup>2</sup> |
|   | Bageste håndtag             | 2,3 m/s <sup>2</sup><br>K=1,5 m/s <sup>2</sup> | 3,1 m/s <sup>2</sup><br>K=1,6 m/s <sup>2</sup> |

- Den deklarerede vibrationer samlede værdi er målt i overensstemmelse med en standard testmetode og kan anvendes til at sammenligne et værktøj med et andet;
- Den samlede angivne værdi for vibrationer kan også anvendes ved en foreløbig vurdering af eksponeringen.

**BEMÆRK:** vibrationer emission ved faktisk brug af elværktøjet kan afvige fra den angivne værdi, hvor værktøjet anvendes; For at beskytte operatøren, bør brugeren bære handsker og høreværn i de faktiske brugsforhold.

## BESKRIVELSE

### KEND DIN GRÆSTRIMMER (fig. A1)

1. Spærring
2. Startknap

# 56

56 VOLT LITHIUM-ION AKKU GRÆSTRIMMER — ST1530E

3. Bageste håndtag
4. Luftindtag
5. Låseknap
6. Vælger for høj/lav hastighed
7. Krog til montering af skulderrem
8. Justérbart forreste hjælpehåndtag
9. Skulderstrop
10. Multifunktions-skruenøgle
11. Unbrakonøgle
12. Trimmerhoved (fjederhoved)
13. Trimmersnor
14. Udløsertap
15. Kniv til afskæring af snor
16. Kappe
17. Udløsermekanisme
18. Elektriske kontakter
19. Lås
20. Gummibeskyttere
21. Knap til frigørelse af batteri
22. Stang til sikkerhedsafskærmning (kun ved brug af buskrydderhovedet)
23. Låsepal til stang til sikkerhedsafskærmning (kun ved brug af buskrydderhovedet)
24. Ydre flange (kun ved brug af buskrydderhovedet)
25. Møtrik (kun ved brug af buskrydderhovedet)
26. Skrue (kun ved brug af buskrydderhovedet)

## PAKKELISTE

| RESERVEDELENS NAVN                | ANTAL |
|-----------------------------------|-------|
| Græstrimmer                       | 1     |
| Kappe                             | 1     |
| Montage af forreste hjælpehåndtag | 1     |
| Unbrakonøgle                      | 1     |
| Multifunktions-skruenøgle         | 1     |
| Skulderstrop                      | 1     |
| Brugsvejledning                   | 1     |
| Låsepal                           | 1     |
| Ydre flange                       | 1     |
| Møtrik                            | 1     |
| skrue                             | 2     |

## SAMLING

### MONTERING AF SKÆRMEN

1. Løsn og fjern de to skrue fra kappen (fig. B).



2. Flugt kappens monteringshuller med enhedens huller; sæt derefter kappen fast på skaftets nederkant med de to skruer sammen med to fjederskiver (fig. C).

**BEMÆRK:** Sørg for, at kappen sidder som på fig. B og C. Hvis monteringen gøres omvendt kan det forårsage stor fare!

## MONTERING OG JUSTERING AF FORRESTE HJÆLPEHÅNDTAG

1. Løsn låsepalen i det forreste hjælpehåndtag, og fjern låsepalen og vingemøtrikken fra det forreste hjælpehåndtag (fig. D).

**BEMÆRK:** Montér stangen til sikkerhedsafskærmning på bøjlehåndtaget med de to skruer, når værktøjet er udstyret med buskrydderhoved.

**BEMÆRK:** Der er to typer låsepal, den korteste er til trimmerhovedet. Den længste er til buskrydderhovedet. Vær omhyggelig med at vælge den rigtige låsepal ved brug af værktøjet.

|     |                        |     |   |
|-----|------------------------|-----|---|
| D-1 | Forreste støttehåndtag | D-4 | Stang til sikkerhedsafskærmning (kun ved brug af buskrydderhovedet) |
| D-2 | Klemmeklods            | D-5 | Låsepal   |
| D-3 | Vingemøtrik            |     |   |

2. Forhåndtaget skubbes på skaftet foran spærreringen. Anbring det aldrig i området mellem spærreringen og bagerste håndtag (fig. E).
3. Indsæt klemmeklods i noten i håndtaget (fig. F).
4. Montér låsepalen, og spænd let til med vingemøtrikken. Sørg for at forreste hjælpehåndtag vender opad og peger mod toppen af det bagerste håndtag (fig. G).
5. Justér forreste hjælpehåndtag mellem spærreringen og etiketten, så din forreste arm er strakt, når du arbejder (fig. H).
6. Lås grebet på låsepalen. (fig. I).

**⚠ WARNING:** Værktøjet kan ikke bruges, uden at det forreste hjælpehåndtag sidder godt fast.

## MONTERING AF SKULDERSTROP

Tryk på stropkens krog for at åbne den, og fastgør den på hagen til montering af skulderrem (fig. J).

## BETJENING

**⚠ ADVARSEL:** Bær altid beskyttelsesbriller eller sikkerhedsbriller med sidebeskyttelse samt høreværn. Hvis disse ikke bruges, kan du få genstande slynget i øjnene, og der kan også opstå andre alvorlige skader.

Du kan bruge dette produkt til de formål, der er nævnt nedenfor:

**Trimning:** anvendes til at fjerne græs og ukrudt op mod vægge, hegn, træer og skel.

**Klipning:** anvendes til at klippe græs, der er svært at nå med en almindelig plæneklipper.

**BEMÆRK:** Værktøjet må kun bruges til dets tilsigtede formål. Enhver anden anvendelse, f.eks. kantrimning, anses for at være et tilfælde af fejlbrug.

## PÅSÆTNING / AFTAGNING BATTERIPAKKEN

Produktet må kun bruges med batteripakkerne og opladere, der står på listen i fig. A2.

### Fuld opladning før første brug

#### Påsætning

Flugt batteriets ribber med monteringsnoterne, og tryk batteriet ned, indtil du hører et "klik" (fig. K).

#### Aftagning

Tryk på knappen til batteriudløseren, og træk batteriet ud som vist på fig. L.

|     |                                |
|-----|--------------------------------|
| L-1 | Knap til frigørelse af batteri |
|-----|--------------------------------|

## SÅDAN HOLDES GRÆSTRIMMEREN

For sikker og bedre betjening tages skulderremmen hen over skulderen som fig. P. Justér skulderstroppen til en behagelig arbejdsstilling. Hold trimmeren med begge hænder: Den ene hånd på det bageste håndtag og den anden på hjælpehåndtaget.

**BEMÆRK:** Trimmerens hoved skal være parallelt med jorden i korrekt trimmeafstand, uden at operatøren læner sig fremover (fig. N).

DK

Der er to måder at løsne remmen. Tag den direkte af skulderen (Fig. O), eller tryk på stroppens krog, og tag den af hagen til montering af skulderrem, der sidder fast på skaffet (Fig. P).

**⚠ ADVARSEL:** Skulderstroppen er også en mekanisme til hurtig frigørelse i farlige situationer. Når der opstår en fare, så tag den straks af skulderen, uanset hvordan stroppen er sat på.

## START/STOP AF GRÆSTRIMMEREN (fig. M)

### Sådan startes motorsaven

Tryk ned på låsehåndtaget, og tryk derefter på startknappen. Forskellige tryk på startknappen giver forskellige rotationshastigheder for trimmersnoren. Jo større tryk, jo højere hastighed.

### Sådan stoppes motorsaven

Slip udløseren.

**BEMÆRK:** Motoren kører kun, når låseknappen og startknappen begge er trykket ned.

### Hastighedsjustering (fig. M)

Græstrimmeren har to hastigheder. Stilling "1" er lav hastighed, stilling "2" er høj hastighed.

|     |                              |
|-----|------------------------------|
| M-1 | Vælger for høj/lav hastighed |
| M-2 | Låseknop                     |
| M-3 | Startknop                    |

## BRUG AF GRÆSTRIMMEREN

Ryd op i området, hvor der skal klippes, før hver brug. Fjern alle genstande, såsom sten, glasskår, søm, tråd, eller linje, der kan slynges eller blive viklet ind i trimmerdelen. Få børn, tilskuere og kæledyr væk fra området. Hold alle børn, omkringstående og kæledyr mindst 15 m væk. Tilskuere kan stadig være i fare for at blive ramt af genstande, der slynges ud. Omkringstående bør opfordres til at bære øjenbeskyttelse. Hvis nogen nærmer sig, så stop straks motoren og trimmerdelen.

### Før hver anvendelse undersøges for skader / slidte dele

Tjek fjederhoved, kappe og fronthjælpehåndtag, og udskift de dele, der er revnede, skævede, bøjedede eller beskadigede på nogen måde.

Snorkniven på kanten af kappen bliver med tiden sløv. Det anbefales regelmæssigt at slibe den med en fil eller udskifte den med en ny kniv.

### Efter hver brug rengøres trimmeren.

## JUSTERING AF TRIMMERSNORENS LÆNGDE

Trimmeren giver operatøren mulighed for at frigive mere trimmersnor uden at stoppe motoren. Efterhånden som snoren bliver flosset eller slidt, kan man frigive ekstra snor ved at trykke fjederhovedet let mod jorden, mens trimmeren kører (fig. Q).

**BEMÆRK:** Frigivelse af snor bliver vanskeligere, når trimmersnoren bliver kortere.

**⚠ ADVARSEL:** Du må ikke fjerne snorkniven eller ændre på den enhed, hvor den sidder. For lang snor vil få motoren til at overophede og kan give i alvorlig personskade.

## UDSKIFTNING AF SNOR

**BEMÆRK:** Brug standard anbefalet trimmersnor af nylon med en diameter på højst 2,4 mm. Brug af snor med anden diameter kan medføre, at græstrimmeren bliver overophedet eller beskadiget.

**⚠ ADVARSEL:** Brug aldrig metalforstærket snor, ståltråd eller reb osv. Disse kan brække af og blive farlige projektiler.

1. Fjern batteripakken.
2. Fjern resterende trimmersnor, hvis nødvendigt.
3. Skær 4 meter lang klippesnor. Sæt snoren ind i monteringshullet i øjenhullet (fig. R). Skub og træk snoren fra den anden side, indtil der sidder lige meget snor på begge sider af spolen.
4. Tryk, mens du roterer det nederste dæksel i pilens retning, for et vinde snoren op på spolen, indtil der stikker ca. 14 cm snor ud på hver side (fig. S).
5. Tryk den nedre dækselsamling nedad, mens der trækkes i snorene, for manuelt at trække snor ud og for at kontrollere for korrekt montering af trimmerhovedet.

Hvis trimmersnoren springer ved udgangsojet, eller hvis snoren ikke frigives, når trimmerens hoved trykkes mod jorden, følges trinene nedenfor:

1. Tryk på de to løsetappe på det øverste dæksel, og fjern det nederste dæksel ved at trække den lige ud (fig. T og U).
2. Fjern trimmersnoren fra spolen.
3. Hold det øvre beslag med den ene hånd, og hold den nedre beslagsamling med den anden hånd. Hold tappene på det øvre beslag mod hullerne på det nedre beslag (fig. V). Brug håndfladen til at trykke på det nedre dæksel, indtil tappene låses fast med det øvre beslag.

4. Følg vejledningen i "UDSKIFTNING AF SNOR", når der skal fyldes mere trimmersnor i.

#### UDSKIFTNING AF KLINGEN MED 3 TÆNDER

1. Fjern den nedre dækselsamling, som vist i fig. T og U
2. Sæt stabilisatoren i, og brug derefter spændenøgle til at løsne møtrikken, som vist i fig. X1 og X2.
3. Fjern alle dele, undtagen den indre flange og møtrik (fig. X3). Monter klingen på motorakslen, som vist i fig. X4.
4. Spænd klingen, som vist i fig. X5.

### VEDLIGEHOLDELSE

**⚠ ADVARSEL:** Ved service må der kun bruges originale reservedele. Efterse og vedligehold apparatet regelmæssigt. For at sikre sikkerhed og pålidelighed, bør alle reparationer udføres af en kvalificeret servicetekniker.

**⚠ ADVARSEL:** For at undgå alvorlig personskade fjernes batteripakken fra værktøjet før service, rengøring, udskiftning af påmonteringer, eller før der fjernes materiale fra apparatet.

**⚠ ADVARSEL:** Forhindringer i ventilationsåbningerne forhindrer luften i at komme ind i motorhuset og forårsager overophedning eller beskadigelse af motoren.

#### RENGØRING AF APPARATET

- Rengør apparatet med en fugtig klud med et mildt rengøringsmiddel. Lad aldrig væsker komme ind i værktøjet, nedsænk det aldrig i nogen form for væske.
- Brug ikke stærke rengøringsmidler på plastkabinettet eller -håndtaget. De kan tage skade af visse aromatiske olier, såsom fyr og citron, og opløsningsmidler såsom petroleum. Fugt kan også give elektrisk stød. Tør al fugt af med en blød tør klud.
- Brug en lille børste eller luftaftrækker på en lille støvsugerbørste til at rengøre lufthullerne for forhindringer på det bageste hus.
- Hold altid lufthuller i motorhuset fri for snavs og skidt.

#### TRANSMISSIONSGEARENES SMØRING

Transmissionsgearene i gearkassen skal smøres regelmæssigt med gearfedt. Kontrollér oliestanden i gearkassen for hver ca. 50 timers drift ved at fjerne tætningskrue på siden af gearkassen.

Hvis der ikke er fedt på siderne af gearet, skal du følge trinnene nedenfor og fylde 3/4 op med fedt. Fyld ikke transmissionsgearene helt op.

1. Læg græstrimmeren på siden, så låseskruen vender opad (Fig. W).
2. Brug multifunktions-skruenøglen til at løsne og fjerne låseskruen.
3. Brug en fedtsprøjte (medfølger ikke) til at pumpe fedt ind i skruehullet; fyld op til højst 3/4 af kapaciteten.
4. Når der er presset fedt ind, spændes låseskruen.

#### OPBEVARING AF APPARATET

- Fjern batteripakken fra græstrimmeren, når den ikke er i brug.
- Rengør værktøjet grundigt, før det lægges væk.
- Opbevar apparatet på et tørt og godt ventileret sted, der er låst og utilgængeligt for børn. Opbevar ikke apparatet på eller ved siden af gødning, benzin eller andre kemikalier.

#### Beskyttelse af miljøet



Elektrisk udstyr, batterioplader og batterier må ikke smides ud sammen med almindelig husholdningsaffald! Tag dette produkt til en autoriseret genbrugsplads, og sørg for at det sendes til genbrug. Elektriske værktøjer skal returneres til et miljøkompatibelt genvindingsanlæg.

DK

## FEJLFINDING

DK

| PROBLEM                                | ÅRSAG  | LØSNING   |
|--|--|---|
| Græstrimmer starter ikke.              | <ul style="list-style-type: none"> <li>■ Batteripakken er ikke sat på trimmeren.</li> <li>■ Ingen elektrisk kontakt mellem trimmer og batteri.</li> <li>■ Batteriet er afladet.</li> <li>■ Låseknappen og startknappen er ikke blevet trykket ned samtidigt.</li> </ul>  | <ul style="list-style-type: none"> <li>■ Sæt batteripakken på trimmeren.</li> <li>■ Fjern batteriet, kontrollér kontakter, og sæt batteriet på igen.</li> <li>■ Oplad batteripakken.</li> <li>■ Tryk ned på låseknappen ned og hold den, tryk derefter på startknappen for at starte græstrimmeren.</li> </ul>  |
| Græstrimmer stopper, mens der trimmes. | <ul style="list-style-type: none"> <li>■ Kappen er ikke monteret på trimmeren, hvilket resulterer i en alt for lang trimmersnor og overbelastning af motoren.</li> <li>■ Der anvendes kraftig trimmersnor.</li> <li>■ Motoraksel eller trimmerhoved er fyldt med græs.</li> <li>■ Motoren er overbelastet.</li> <li>■ Batteripakken eller græstrimmeren er for varm.</li> <li>■ Batteripakken er taget af værktøjet.</li> <li>■ Batteriet er afladet.</li> </ul> | <ul style="list-style-type: none"> <li>■ Fjern batteripakken, og sæt kappen på trimmeren.</li> <li>■ Brug standard trimmersnor af nylon med en diameter på højst 2,4 mm.</li> <li>■ Stop trimmeren, fjern batteriet, og fjern græs fra motoraksel og trimmerhoved.</li> <li>■ Løft trimmerhovedet op fra græsset. Motoren vil begynde at arbejde igen, så snart belastningen er fjernet. Når der trimmes, flyttes trimmerhovedet ind og ud af græsset, der skal trimmes. Der bør højst fjernes 20 cm ad gangen i et enkelt snit.</li> <li>■ Lad batteripakke eller trimmer køle, indtil temperaturen falder til under 67 °C.</li> <li>■ Sæt batteripakken på plads igen.</li> <li>■ Oplad batteripakken.</li> </ul> |
| Trimmerhoved rykker ikke snoren frem.  | <ul style="list-style-type: none"> <li>■ Motoraksel eller trimmerhoved er fyldt med græs.</li> <li>■ Der er ikke tilstrækkeligt med snor på spolen.</li> <li>■ Trimmerhovedet er snavset.</li> <li>■ Snoren er filtret på spolen.</li> <li>■ Snoren er for kort.</li> </ul>  | <ul style="list-style-type: none"> <li>■ Stop trimmeren, fjern batteriet, og fjern græs fra motoraksel og trimmerhoved.</li> <li>■ Fjern batteriet, og udskift snoren; se afsnittet "UDSKIFTNING AF SNOR" i denne vejledning.</li> <li>■ Tag batteriet af, og rengør trimmerhovedet.</li> <li>■ Tag batteriet af, tag snoren af trimmerhovedet, og spol den på igen; se afsnittet "GENSÆTNING AF SNOR" i denne vejledning.</li> <li>■ Tag batteriet af og træk i snorene, mens trimmerhovedet skiftevis trykkes ned og slippes.</li> </ul>  |



| PROBLEM   | ÅRSAG  | LØSNING   |
|---|--|---|
| Græs er snoet omkring trimmerhoved og motorhus.   | <ul style="list-style-type: none"><li>Trimning af højt græs i jordhøjde.</li></ul> | <ul style="list-style-type: none"><li>Klip højt græs oppefra og ned, og tag ikke mere end 20 cm hver gang for at forhindre, at græsset snor sig fast.</li></ul> |
| Revner på trimmerens hoved eller det nederste dæksel løsner sig fra det øverste dæksel. | <ul style="list-style-type: none"><li>Trimmerhovedet er slidt.</li></ul>           | <ul style="list-style-type: none"><li>Udskift straks trimmerhovedet; dette udføres af en kvalificeret servicetekniker.</li></ul>                                |

## GARANTI

DK

### EGO GARANTI POLITIK

Besøg venligst hjemmesiden [egopowerplus.com](http://egopowerplus.com) for fuldstændige vilkår og betingelser for EGO's garantipolitik.

## LÄS IGENOM ALLA INSTRUKTIONER!



### LÄS IGENOM BRUKSANVISNINGEN

**⚠ VARNING:** Dolda risker! Personer med elektroniska enheter såsom pacemaker skall rådfråga sin läkare innan denna produkt används. Användning av elektronisk utrustning i närheten av en pacemaker kan orsaka störningar eller fel på pacemakern.

SE



Säkerhetslarm



Använd skyddsglasögon! skyddsglasögon eller säkerhetsglasögon med sidoskydd och en full ansiktsmask när denna produkt används.



Använd hörselskydd när denna produkt används.



Använd skyddshjälm godkänd skyddshjälm för att skydda huvudet.



Montera inte runda skärblad.



Max. skärbredd för kantrimmern



Se till att andra personer och husdjur befinner sig minst 15 m från trådtrimmen när den används.



Garanterad ljudeffektivitet. Bulleremissioner för omgivningen enligt EU-direktivet.



Förbrukade elektriska produkter får inte kastas i hushållssoporna. Lämna in dem till en auktoriserad återvinningsstation.

$n_0$

Tomgångshastighet-Rotationshastighet utan belastning



Likström

## SÄKERHETSSYMBOLER

**⚠ VARNING:** Användning av något elverktyg kan resultera i att främmande föremål kastas in i dina ögon vilket kan resultera i allvarliga ögonskador. Innan elverktyget börjar användas skall alltid skyddsglasögon eller skyddsglasögon med sidoskydd och full ansiktsskydd användas när så behövs. Vi rekommenderar att en ansiktsskydd med brett synfält används ovanpå glasögonen eller standard skyddsglasögon med sidoskydd.



För att minska risken för skador måste användaren läsa bruksanvisningen.



Använd skyddsskor vid användning av denna utrustning.



Använd skyddshandskar dina händer med handskar när bladen eller bladskyddet hanteras.



Se upp med klingans slungkraft för faran med maskinens kastbenägenhet.



Diametern för skärlinan av nylon



Utslungade föremål kan rikoschettera och leda till skador på personer eller egendom. Se till att övriga personer och husdjur håller ett säkert avstånd från röjsågen när den används.



Använd den inte vid regn och lämna den inte utomhus om det regnar.



Denna produkt är i enlighet med gällande EC-direktiv.

V Spänning

.../min Per minut

kg Kilogram

## SPECIFIKATIONER

|   |                             |  |  |
|---|-----------------------------|--|--|
|   | Trimmerhuvud                | Skärblad med 3 tänder                          |  |
| Spänning  | 56 V                        | 56 V   |  |
| Rekommenderad användningstemperatur:                          | 0°C-40°C                    |  |  |
| Rekommenderad förvaringstemperatur:                           | -20°C-70°C                  |  |  |
| Optimal laddningstemperatur                                   | 5°C-40°C                    |  |  |
| Ingen belastningshastighet                                    | 5000/6000 min <sup>-1</sup> | 5000/6000 min <sup>-1</sup>                    |  |
| Skärträdens typ   | 2,4mm                       | /  |  |
| Skärblad  | /                           | ABB1203  |  |
| Skärbredd   | 38 cm                       | 30cm   |  |
| Vikt (utan batteripaket)                                      | 4,21Kg                      | 4,45 kg  |  |
| Uppmätt ljudeffektnivå L <sub>WA</sub>                        | 94,6 dB(A)<br>K=1,8 dB(A)   | 96,5 dB(A)<br>K=1,88 dB(A)                     |  |
| Ljudtrycksnivå vid operatörens öra L <sub>PA</sub>            | 81,7 dB(A)<br>K=2,5 dB(A)   | 76,5 dB(A)<br>K=3 dB(A)                        |  |
| Garanterad ljudeffektnivå L <sub>WA</sub> (enligt 2000/14/EC) | 96 dB(A)                    | 98 dB(A)                                       |  |
| Vibration a <sub>h</sub>                                      | Främre handtag              | 3,2 m/s <sup>2</sup><br>K=1,5 m/s <sup>2</sup> | 2,8 m/s <sup>2</sup><br>K=1,6 m/s <sup>2</sup> |
|   | Bakre handtag               | 2,3 m/s <sup>2</sup><br>K=1,5 m/s <sup>2</sup> | 3,1 m/s <sup>2</sup><br>K=1,6 m/s <sup>2</sup> |

- Det deklarerade totala vibrationsvärdet har uppmätts i enlighet med en standardtestmetod och kan användas för att jämföra ett verktyg med ett annat.
- Det deklarerade totala vibrationsvärdet kan också användas i en preliminär utvärdering av exponeringen.

**OBS!** Vibrationsutstrålningen under verklig användning av elverktyg kan skilja sig från det deklarerade värdet i vilken verktyget används. För att skydda användaren skall skyddshandskar och hörselskydd användas under faktiska användningsförhållandet.

## BESKRIVNING

### LÄRA KÄNNA DIN TRÄDTRIMMER (bild A1)

1. Tröskelring
2. Gasreglage
3. Bakre handtag

4. Luftintag
5. Låsknapp
6. Hastighetsreglage hög/låg
7. Axelrem monteringskrok
8. Justerbart främre handtag
9. Axelrem
10. Multifunktionell skiftnyckel
11. Insexnyckel
12. Trimmerhuvud (stöthuvud)
13. Skärtråd
14. Frikopplingsflik
15. Skärblad för trädskapning
16. Skydd
17. Utmatningsmekanism
18. Elektrisk kontakt
19. Spärrhake
20. Gummiskydd
21. Frigöringsknapp för batteriet
22. Skyddsstång (endast för buskskärarens huvud)
23. Låsstång för skyddsstång (endast för buskskärarens huvud)
24. Yttre fläns (endast för buskskärarens huvud)
25. Mutter (endast för buskskärarens huvud)
26. Skruvar (endast för buskskärarens huvud)

SE

## PACKLISTA

| ARTIKELNAMN                  | KVANTITET |
|------------------------------|-----------|
| Trädtrimmer                  | 1         |
| Skydd                        | 1         |
| Främre handtagsenhet         | 1         |
| Insexnyckel                  | 1         |
| Multifunktionell skiftnyckel | 1         |
| Axelrem                      | 1         |
| Bruksanvisning               | 1         |
| Låsstång                     | 1         |
| Yttre fläns                  | 1         |
| Mutter                       | 1         |
| Skruv                        | 2         |

## MONTERING

### MONTERA SKYDDET

1. Lossa och ta bort de två skruvarna från skyddet (bild B).

- Rikta in skyddets fästhål med monteringshålen och läs sedan fast skyddet på axelns bas med de två skruvarna tillsammans med två fjäderbrickor (bild C).

**NOTERA:** Säkerställ att skyddet är korrekt fastsatt enligt bild B och C. En omvänd fastsättning är mycket farligt!

## MONTERA OCH JUSTERA DET FRÄMRE HANDTAGET

- Lossa låsstängan i främre handtaget och ta bort låsstängan och vingmuttern från det främre handtaget (bild D).

**NOTERA:** Installera skyddsstängan på loop-handtaget med de två skruvarna när verktyget är utrustat med buskskärarens huvud.

SE

**NOTERA:** det finns två typer av låsstång, den kortare stängan är för trimmerhuvudet. Den långa stängan är för buskskärarens huvud. Var noga med att välja korrekt låsstång vid användning av verktyget.

|     |                |     |  |
|-----|----------------|-----|--|
| D-1 | Främre handtag | D-4 | Skyddsstång (endast för buskskärarens huvud) |
| D-2 | Klämblock      | D-5 | Låsstång                                     |
| D-3 | Vingmutter     |     |  |

- Tryck fast fronthandtaget på axeln i fronten av tröskelringen. Placera aldrig det mellan tröskelringen och området för det bakre handtaget (bild E).
- Sätt in fästblocket i handtagsöppningen (bild F).
- Montera låsstängan och dra åt dem i förhand med vingmuttern. Se till att det främre handtaget är riktat uppåt och pekar mot den övre delen på det bakre handtaget (bild G).
- Justera det främre handtaget mellan tröskelringen och etiketten för att säkerställa att din främre arm är rak vid användning (bild H).
- Lås spaken för låsstängan. (Bild I).

**⚠ VARNING:** Verktyget kan inte användas utan att det främre handtaget är korrekt fastsatt.

## MONTERA AXELREMME

Tryck in remhaken för att öppna den och fästa den på axelremmens monteringskroken (bild J).

## ANVÄNDNING

**⚠ VARNING:** Använd alltid skyddsglasögon eller skyddsglasögon med sidoskydd tillsammans med hörselskydd. Om inte detta görs så kan allvarliga skador uppstå om föremål kastas i dina ögon eller andra allvarliga skador kan uppstå.

# 64

56 VOLT LITHIUM-ION-BATTERI SLADDLÖS GRÄSTRIMMER — ST1530E

Du kan använda denna produkt för de tillämpningar som listas nedan:

**Trimning:** används för att a bort gräs och ogräs mot väggar, staket, träd och kanter.

**Beskärning:** används för att kapa gräs som är svårt att komma åt med en vanliga gräsklippare.

**NOTERA:** Verktyget får enbart användas för det föreskrivna ändamålet. All annan användning, t.ex. häcktrimning, anses vara en felaktig användning.

## FÄST/TA LOSS BATTERIPAKETET

Använd endast med de batteripack och laddare som listas i bild A2.

## Ladda fullt innan första användning

### Fästa

Rikta in listerna på batteriet med monteringsspåren och tryck sedan ner batteripaketet tills du hör ett "klick" (bild K).

### Ta bort

Tryck in batterilåsknappen och dra sedan ut batteripaketet enligt bild L.

|     |                 |
|-----|-----------------|
| L-1 | Batterilåsknapp |
|-----|-----------------|

## HÅLLA TRÅDTRIMMERN

För en säkrare och bättre användning, ta på dig axelremmen över axeln såsom visas i bild N. Justera axelremmen till en bekväm arbetsställning. Håll trådtrimmern med båda händerna: En hand på det bakre handtaget och den andra handen på det främre handtaget.

**NOTERA:** Trimmerhuvudet är parallellt med marken vid ett lämpligt skäravstånd utan att operatören behöver böja sig (bild N).

Du kan lossa remmen på två sätt. Ta bort den direkt från din axel (bild O) eller tryck på haken på remmen och ta bort den från axelremmens monteringskrok som är fäst på skaftet (bild P).

**⚠ VARNING:** Axelremmen är även en snabb frigöringsmekanism vid en farlig situation. När ett nödläge inträffar, ta omedelbart av den från axeln oavsett vilket läge som remmen är i.



## STARTA/STOPPA TRÅDTRIMMERN (bild M)

### Starta

Tryck in startspärren och tryck sedan in avtryckaren. När avtryckaren trycks ner olika hårt resulterar det i variabel rotationshastighet för skärtråden. Mer tryck, högre hastighet.

### Stoppa

Släpp upp avtryckaren.

**NOTERA:** Motorn körs endast när både startspaken och avtryckaren trycks in.

### Hastighetsjustering (bild M)

Trådtrimmern har två olika hastigheter. Läget "1" är för låg hastighet och läget "2" är för hög hastighet.

|     |                           |
|-----|---------------------------|
| M-1 | Hastighetsreglage hög/låg |
| M-2 | Låsknapp                  |
| M-3 | Gasreglage                |

## ANVÄNDA TRÅDTRIMMERN

Rensa området som ska beskäras före varje användning. Ta bort alla objekt som t.ex. stenar, krossat glas, spikar, trådar eller ledningar som kan slungas ut eller trasslas in i skärenheten. Se till att inga barn, åskådare eller husdjur är inom området. Håll alla barn, åskådare och husdjur minst 15 meter bort. Det kan fortfarande finnas en risk att föremål slungas mot åskådare. Uppmana åskådare att använda skyddsglasögon. Om någon närmar sig dig, stoppa omedelbart motorn och skärenheten.

### Kontrollera efter skadade/slitna delar före varje användning.

Kontrollera tråd huvudet, skyddet och det främre handtaget och byt ut delar som är spruckna, skeva, böjda eller skadade på något sätt.

Skärbladet för trådkapning kan bli slött efter en tid. Det rekommenderas att vassa det regelbundet med en fil eller byta ut det mot ett nytt skärblad.

### Rengör trimmern efter varje användning.

#### JUSTERA SKÄRTRÅDENS LÄNGD

Trimmerhuvudet låter operatören dra ut mer skärtråd utan att motorn behöver stoppas. När tråden blir fransig eller slitnen kan mer tråd frigöras genom att knacka trimmerhuvudet lätt mot marken när trimmern är igång (Q).

**NOTERA:** Tråden blir svårare att mata ut i takt med att skärtråden blir kortare.

**⚠ VARNING:** Ta inte bort eller modifiera skärbladet för tråden. En för lång tråd får motorn att överhettas och kan resultera i allvarliga personskador.

### BYTA UT TRÅDEN

**NOTERA:** Använd alltid rekommenderad nylontråd med en diameter som inte överstiger 2,4 mm. Om en annan skärtråd än den som anges används kan trådtrimmern överhettas eller skadas.

**⚠ VARNING:** Använd aldrig metallförstärkt tråd, kablar eller rep etc. Dessa kan gå av och bli farliga projektiler.

1. Ta ut batteripaketet.
2. Ta bort den återstående skärtråden om så krävs.
3. Klipp till 4 m lång skärtråd, för in tråden i monteringshålet på insidan av hålet (bild R). Tryck in och dra tråden från den andra sidan tills en likvärdig längd visas på spolens båda sidor.
4. Tryck ner och vrid nedre lockmontaget i pilens riktning för att linda in spolen tills cirka 14 cm av tråden visas på vardera sida (bild S).
5. Tryck ner nedre lockmontaget medan tråden dras ut manuellt för att förlänga den och för att kontrollera att trimmerhuvudet är korrekt monterat.

När skärtråden går av från trådutgången eller om skärtråden inte frigörs när trimmerhuvudet knackas lätt, följ stegen nedan:

1. Tryck in flikarna på övre locket och ta bort nedre lockmontaget genom att dra den rakt ut (bild T och U).
2. Ta bort skärtråden från spolen.
3. Håll det nedre lockmontaget med ena handen och använd den andra handen för att ta tag i det nedre lockhandtaget och rikta in flikarna mot hålen i det nedre lockmontaget (bild V); Använd handflatan för att trycka på det nedre lockmontaget tills flikarna låses med det övre locket.
4. Följ instruktionerna i "BYTA TRÅD" för att byta ut skärtråden.

### BYTA UT BLADET MED 3 TÄNDER

1. Ta bort det nedre lockhandtaget enligt bild T och U
2. Sätt in stabiliseraren och använd sedan en slagskruvnyckel för att lossa muttern enligt bild X1 och X2.
3. Ta bort alla delar förutom inre flänsen och muttern (bild X3), montera bladet på motoraxeln enligt bild X4.
4. Dra åt bladet enligt bild X5.

SE

## UNDERHÅLL

**⚠ VARNING:** Vid service ska enbart identiska utbyteskomponenter användas. Inspektera och underhåll maskinen regelbundet. För att garantera en säker och pålitlig användning måste alla reparationer utföras av en kvalificerad servicetekniker.

**⚠ VARNING:** För att förhindra allvarliga personskador, ta ut batteripaketet vid service, rengöring, ändring av extratilbehör eller borttagning av material från enheten.

**⚠ FÖRSIKTIGHET:** Om ventilerna blockeras förhindras luften från att flöda in i motorhöljet, vilket kan resultera i överhettning eller skada på motorn.

SE

## RENGÖRA ENHETEN

- Rengör enheten med en fuktad trasa och ett mildt rengöringsmedel. Låt aldrig någon vätska komma in i verktyget; sänk aldrig ner någon del av verktyget i en vätska.
- Använd inte starka rengöringsmedel på plasthöljet eller handtaget. De kan skadas av vissa aromatiska oljor som t.ex. tall och citron, samt av lösningsmedel som t.ex. fotogen. Fukt kan även utgöra en risk för elektriska stötar. Torka bort fukt med en mjuk och torr trasa.
- Använd en liten borste eller rengöringsborsten på en liten dammsugare för att rengöra luftventilerna på det bakre höljet.
- Håll alltid luftventilerna på motorhöljet fria från skräp.

## SMÖRJNING AV VÄXELLÅDAN

Växellådan i växelhuset måste smörjas regelbundet med växellådsolja. Kontrollera växellådans fettnivå efter varje 50 timmars användning genom att ta bort tätningsskruven på sidan av växelhuset.

Om inget fett kan ses på sidorna av växellådan, följ stegen nedan för att fylla på med växellådsolja upp till 3/4 kapacitet. Fyll inte upp den fullt.

1. Håll trådtrimmern på sidan så att tätningsskruven är riktad uppåt (bild W).
2. Använd den multifunktionella skiftnyckeln (medföljer) för att lossa och ta bort tätningsskruven.
3. Använd en fettspruta (medföljer ej) för att trycka in lite fett i skruvhålet. Överskrid inte 3/4 kapacitet.
4. Dra åt tätningsskruven efter appliceringen.

## FÖRVARA ENHETEN

- Ta ut batteripaketet från trådtrimmern när den inte används.

- Rengör verktyget nogga innan förvaring.
- Förvara enheten på en torr, väventilerad plats, inlåst eller högt upp, utom räckhåll för barn. Förvara inte enheten på eller i anslutning till gödningsmedel, bensin eller andra kemikalier.

## Skydda miljön



Kasta inte elektrisk utrustning, vänt batteri och laddare i hushållssoporna! Ta denna produkt till en auktoriserad återvinnare och gör den tillgänglig för separat insamling. Elektriska verktyg måste returneras till en miljöanpassad återvinningsanläggning.

## FELSÖKNING

| PROBLEM                                | ORSAK   | LÖSNING   |
|--|---|---|
| Trådtrimmern startar inte.             | <ul style="list-style-type: none"> <li>■ Batteripaketet är inte monterat på trimmern.</li> <li>■ Ingen elektrisk kontakt mellan trimmern och batteriet.</li> <li>■ Batteriet är helt tomt.</li> <li>■ Låsknappen och avtryckaren trycks inte in samtidigt.</li> </ul>   | <ul style="list-style-type: none"> <li>■ Montera batteripaketet på trimmern.</li> <li>■ Ta ut batteriet, kontrollera kontakterna och sätt sedan tillbaka batteripaketet.</li> <li>■ Ladda batteripaketet.</li> <li>■ Tryck in låsknappen och håll den nedtryckt, tryck sedan in avtryckaren för att starta trådtrimmern.</li> </ul>   |
| Trådtrimmern stoppas under användning. | <ul style="list-style-type: none"> <li>■ Skyddet är inte monterat på trimmern, vilket resulterar i en för lång skärtråd och överbelastning av motorn.</li> <li>■ Kraftig skärtråd används.</li> <li>■ Motoraxeln eller trimmerhuvudet är intrasslat i gräs.</li> <li>■ Motorn är överbelastad.</li> <li>■ Batteripaketet eller trådtrimmern är för varm.</li> <li>■ Batteripaketet är inte anslutet till verktyget.</li> <li>■ Batteriet är helt tomt.</li> </ul> | <ul style="list-style-type: none"> <li>■ Ta ut batteripaketet och montera skyddet på trimmern.</li> <li>■ Använd rekommenderad nylontråd med en diameter som inte överstiger 2,4 mm.</li> <li>■ Stoppa trimmern, ta ut batteriet och ta bort gräset från motoraxeln och trimmerhuvudet.</li> <li>■ Ta bort trimmerhuvudet från gräset. Motorn fungerar som vanligt när belastningen är borttagen. Vid skärning, för trimmerhuvudet in och ut från gräset som ska klippas och kapa inte mer än 20 cm längd med ett enskilt skär.</li> <li>■ Låt batteripaketet och trimmern svalna tills temperaturen sjunker under 67 °C.</li> <li>■ Montera batteripaketet igen.</li> <li>■ Ladda batteripaketet.</li> </ul> |
| Trimmerhuvudet matar inte ut mer tråd. | <ul style="list-style-type: none"> <li>■ Motoraxeln eller trimmerhuvudet är intrasslat i gräs.</li> <li>■ Det finns inte tillräckligt med tråd på spolen.</li> <li>■ Trimmerhuvudet är smutsigt.</li> <li>■ Tråden är intrasslad i spolhållaren.</li> <li>■ Tråden är alltför kort.</li> </ul>  | <ul style="list-style-type: none"> <li>■ Stoppa trimmern, ta ut batteriet och rengör motoraxeln och trimmerhuvudet.</li> <li>■ Ta ut batteriet och byt ut skärtråden; följ instruktionerna i avsnittet "BYTA UT TRÅDEN" i denna bruksanvisning.</li> <li>■ Ta ut batteripaketet och rengör trimmerhuvudet.</li> <li>■ Ta ut batteriet, ta bort tråden från trimmerhuvudet och linda in den igen; följ instruktionerna i avsnittet "LADDA SKÄRTRÅDEN" i denna bruksanvisning.</li> <li>■ Ta ut batteriet och dra i tråden manuellt medan trimmerhuvudet trycks in och släpps upp.</li> </ul>   |

SE



| PROBLEM  | ORSAK   | LÖSNING   |
|--|---|---|
| Gräs trasslar in sig runt trimmerhuvudet och motorhöljat.                    | <ul style="list-style-type: none"><li>▪ Skära högt gräs i marknivå.</li></ul> | <ul style="list-style-type: none"><li>▪ Skär högt gräs nerifrån och upp, kapa inte mer än 20 cm per svep för att undvika grästrassel.</li></ul> |
| Sprickor på trimmerhuvudet eller nedre lockmontage lossnar från övre locket. | <ul style="list-style-type: none"><li>▪ Trimmerhuvudet är slitet.</li></ul>   | <ul style="list-style-type: none"><li>▪ Byt omedelbart ut trimmerhuvudet hos en kvalificerad servicetekniker.</li></ul>                         |

## GARANTI

SE

### EGO GARANTIPOLICY

Besök webbsidan [egopowerplus.com](http://egopowerplus.com) för fullständiga villkor för EGO garantipolicy.

## LUE KAIKKI OHJEET!



### LUE KÄYTTÖOPAS

**VAROITUS:** Jäännösriski! Henkilöiden, joilla on sydämentahdistin tai muu vastaava elektroninen laite, tulisi keskustella lääkärin kanssa ennen tämän tuotteen käyttöä. Sähkölaitteiden käyttö sydämentahdistimen lähettyvillä saattaa häiritä tahdistimen toimintaa tai aiheuttaa vakavan toimintahäiriön.



Turvallisuushälytys



Använd skyddsglasögon! Käytä aina suojalaseja, joissa on sivusuojat, ja koko kasvo peittävää suojaa, kun käytät laitetta.



Använd hörselskydd – Käytä aina kuulosuojaimia, kun käytät laitetta.



Käytä suojakypärää – Käytä hyväksytyä suojakypärää suojataksesi pääsi.



Älä asenna siihen pyöreitä teriä.



Leveys – Siimaleikkurin maks. leikkuleveys



Varmista, että muut ihmiset ja lemmikkieläimet ovat vähintään 15 m päässä siimaleikkurista, kun se on käytössä.



Taattu äänen tehotaso. Melupäästöt ympäristöön Euroopan yhteisön direktiivin mukaiset.



Vanhoja sähkölaitteita ei saa hävittää kotitalousjätteen mukana. Vie laite valtuutettuun kierrätyslaitokseen.

$n_0$

Tyhjäkäyntinopeus-Pyörimisnopeus ilman kuormaa



Tasavirta

## TURVALLISUUSSYMBOLIT

**VAROITUS:** Minkä tahansa sähkötyökalun käyttö saattaa aiheuttaa vierasesineiden sinkoutumisen silmiin, mikä voi aiheuttaa vakavia silmävammoja. Käytä aina suojalaseja, joissa on sivusuojat, ja tarvittaessa koko kasvo peittävää suojaa, kun käytät sähkötyökaluja. Silmälasien päällä suosittelimme käytettäväksi suojamaskia, jossa on laaja näkökenttä, tai tavallisia suojalaseja, joissa on sivusuojat.



Käyttäjän on luettava käyttöopas loukkautumisvaaran vähentämiseksi.



Käytä turvajalkineita – Käytä luistamattomia turvajalkineita varusteen käytön aikana.



Käytä suojakäsineitä – Käytä suojakäsineitä, kun käsittelet terää tai terän suojusta.



Varo terän työntövoimaa – Varoita käyttäjää terän työntövoiman vaarallisuudesta.



Halkaisija – Nailonleikkuusiiman halkaisija



Sinkoutuvat esineet voivat kimmota ja aiheuttaa henkilö- tai omaisuusvahingon. Varmista, että muut ihmiset ja lemmikit ovat etäällä, kun pensasleikkuria käytetään.



Älä käytä sateella tai jätä ulos sateeseen.



Tämä tuote vastaa sovellettavia EU-direktiivejä.

V Jännite

.../min per minuutti

kg Kilogramma

FI

## TEKNISET TIEDOT

|   |                             |  |  |
|---|-----------------------------|--|--|
|   | Leikkuupää                  | 3-hampainen terä                               |  |
| Jännite   | 56 V                        | 56 V   |  |
| Suositteltu käyttölämpötila:  | 0 °C–40 °C                  |  |  |
| Suositteltu säilytyslämpötila:                                      | -20 °C–70 °C                |  |  |
| Ihanteellinen latauslämpötila                                       | 5 °C–40 °C                  |  |  |
| Tyhjäkäyntinopeus   | 5000/6000 min <sup>-1</sup> | 5000/6000 min <sup>-1</sup>                    |  |
| Leikkuusiiman tyyppi  | 2,4mm                       | /  |  |
| Leikkuuterä   | /                           | ABB1203  |  |
| Leikkuuleveys   | 38 cm                       | 30cm   |  |
| Paino (ilman akkua)   | 4,21Kg                      | 4,45 kg  |  |
| Mitattu äänitehotaso L <sub>WA</sub>                                | 94,6 dB(A)<br>K=1,8 dB(A)   | 96,5 dB(A)<br>K=1,88 dB(A)                     |  |
| Äänenpaineen taso käyttäjän korvien tasolla L <sub>PA</sub>         | 81,7 dB(A)<br>K=2,5 dB(A)   | 76,5 dB(A)<br>K=3 dB(A)                        |  |
| Taattu äänitehotaso L <sub>WA</sub> (direktiivin 2000/14/EY mukaan) | 96 dB(A)                    | 98 dB(A)                                       |  |
| Tärinä a <sub>h</sub>   | Etuapukahva                 | 3,2 m/s <sup>2</sup><br>K=1,5 m/s <sup>2</sup> | 2,8 m/s <sup>2</sup><br>K=1,6 m/s <sup>2</sup> |
|   | Takakahva                   | 2,3 m/s <sup>2</sup><br>K=1,5 m/s <sup>2</sup> | 3,1 m/s <sup>2</sup><br>K=1,6 m/s <sup>2</sup> |

- Ilmoitettu tärinän kokonaispäästöarvo on mitattu standarditestausten mukaisesti, ja sen avulla voidaan vertailla työkaluja keskenään;
- Ilmoitettua tärinän kokonaispäästöarvoa voidaan käyttää myös altistumisen alustavaan arviointiin.

**HUOMAA:** Työkalun käytön aikana mitattu todellinen tärinäpäästöarvo voi poiketa ilmoitetusta kokonaispäästöarvosta työkalun käyttötavasta johtuen; käyttäjän suojaamiseksi tulee käyttää käsiineitä ja kuulosuojaimia varsinaisissa käyttöolosuhteissa.

## KUVAUS

### TUNNE SIIMALEIKKURISI (kuva A1)

1. Rajoitusrengas
2. Liipaisin

3. Takakahva
4. Ilmanotto
5. Lukituksen vapautuspainike
6. Korkean/alhaisen nopeuden kytkin
7. Olkahinnan kiinnitysripustin
8. Säädettävä etuapukahva
9. Olkahihna
10. Monitoimiavain
11. Kuusiokoloavain
12. Leikkuupää (kupupää)
13. Leikkuusiima
14. Vapautusuloke
15. Siiman leikkuuterä
16. Suojus
17. Poistomekanismi
18. Sähköliitännät
19. Lukko
20. Kumityyny suojuus
21. Akun vapautuspainike
22. Turvaestetanko (vain pensasleikkuripäähän)
23. Lukitusvarsi turvaestetankoon (vain pensasleikkuripäähän)
24. Ulkolaippa (vain pensasleikkuripäähän)
25. Mutteri (vain pensasleikkuripäähän)
26. Ruuvit (vain pensasleikkuripäähän)

## PAKKAUSLUETTELO

| OSAN NIMI                        | MÄÄRÄ |
|----------------------------------|-------|
| Siimaleikkuri                    | 1     |
| Suojus                           | 1     |
| Edessä oleva apukahvakokonaisuus | 1     |
| Kuusiokoloavain                  | 1     |
| Monitoimiavain                   | 1     |
| Olkahihna                        | 1     |
| Käyttöopas                       | 1     |
| Lukitusvarsi                     | 1     |
| Ulkolaippa                       | 1     |
| Mutteri                          | 1     |
| Ruuvi                            | 2     |

## KOKOONPANO

### SUOJAN KINNITTÄMINEN

1. Löysää ja poista kaksi ruuvia suojusta (kuva B).

- Linjaa suojan kiinnitysaukot asennusaukkojen kanssa ja lukitse suoja sitten varren tyveen kahdella ruuvilla ja jousialuslevyillä (kuva C).

**HUOMAA:** Varmista, että suoja on paikallaan kuvien B ja C mukaisesti, käänteinen kiinnitys aiheuttaa suuren vaaran!

### ETUAPUKAHVAN KIINNITYS JA SÄÄTÄMINEN

- Löysää etuapukahvan lukitusvarsi ja poista lukitusvarsi ja siipimutteri etuapukahvasta (kuva D).

**HUOMAA:** Asenna turvaestetanko kaarikahvaan kahdella ruuvilla silloin, kun työkalu on varustettu pensasleikkuripäällä.

**HUOMAA:** Lukitusvarsia on kaksi erilaista. Lyhyempi niistä on siimaleikkuripäähän. Pidempi on pensasleikkuripäähän. Muista valita oikea lukitusvarsi, kun käytät työkalua.

|     |                 |     |  |
|-----|-----------------|-----|--|
| D-1 | Etuapukahva     | D-4 | Turvaestetanko (vain pensasleikkuripäähän) |
| D-2 | Puristuskappale | D-5 | Lukitusvarsi                               |
| D-3 | Siipimutteri    |     |  |

- Paina etukahva varteen rajoitusrenkaan eteen. Älä koskaan aseta sitä rajoitusrenkaan ja takakahvan väliselle alueelle (kuva E).
- Aseta puristuskappale kahvan koloon (kuva F).
- Asenna lukitusvarsi ja esikiristä se siipimutterilla. Varmista, että etuapukahva on ylöspäin ja osoittaa kohti takakahvan yläosaa (kuva G).
- Säädä etuapukahva rajoitusrenkaan ja merkintätarran väliin. Varmista, että käsivartesi on suorana käytön aikana (kuva H).
- Lukitse lukitusvarren vipu. (Kuva I).

**VAROITUS:** Työkalua ei voi käyttää ilman, että etuapukahva on kiinnitetty turvallisesti.

### OLKAHIHNNAN KIINNITYS

Avaa hihnan koukku painamalla ja kiinnitä se olkahihnan kiinnitysriipustimeen (kuva J).

## TOIMINTA

**VAROITUS:** Käytä aina tavanomaisia tai sivusuojilla varustettuja suojalaseja sekä kuulosuojaimia. Tämän ohjeen laiminlyöminen saattaa aiheuttaa esineiden sinkoutumisen silmiin ja mahdollisen vakavan henkilövahingon.

Tätä laitetta voi käyttää seuraavassa mainittuihin tarkoituksiin:

**Ruohotrimmerinä:** käytetään ruohon ja rikkaruohojen poistamiseen seinien, aitojen, puiden ja rajojen lähellä.

**Leikkurina:** käytetään sellaisen nurmikon leikkaamiseen, johon on vaikea päästä käsiksi perinteisellä ruohonleikkurilla.

**HUOMAA:** Työkalua tulee käyttää vain sille määritettyyn tarkoitukseen. Muunlainen käyttö, esimerkiksi pensaiden leikkaus, katsotaan väärinkäytöksi.

### AKUN LIITTÄMINEN/POISTAMINEN

Käytä vain kuvassa A2 lueteltujen akkujen ja latureiden kanssa.

### Lataa täyteen ennen ensimmäistä käyttökertaa

#### Liittäminen

Aseta akun ulokkeet kiinnitysaukoihin ja paina akkua alaspäin, kunnes kuulet naksahduksen (kuva K).

#### Poistaminen

Paina akun vapautuspainiketta ja vedä akku ulos kuvan L osoittamalla tavalla.

|     |                      |
|-----|----------------------|
| L-1 | Akun vapautuspainike |
|-----|----------------------|

### OTE SIIMALEIKKURISTA

Käytön turvallisuuden ja sujuvuuden takia laita olkahihna olan yli, kuten kuvassa N. Säädä olkahihna miellyttävään käyttöasentoon. Pidä siimaleikkurista kiinni molemmin käsin: toinen kätesi on takakahvalla ja toinen edessä olevalla apukahvalla.

**HUOMAA:** Leikkuupää on suorassa linjassa maan kanssa sopivalla leikkuuetäisyydellä ilman käyttäjän kumartumista (kuva N).

Hihnan voi vapauttaa kahdella tavalla. Ota se suoraan pois olaltasi (kuva O) tai paina hihnan koukkuja ja irrota se varteen kiinnitetystä olkahihnan kiinnitysriipustimesta (kuva P).

**VAROITUS:** Olkahihnassa on myös nopea vapautusmekanismi vaaratilanteita varten. Kun on hätätilanne, ota hihna olaltasi välittömästi riippumatta hihnan asennosta.

### SIIMALEIKKURIN KÄYNNISTÄMINEN/ SAMMUTTAMINEN (kuva M)

#### Käynnistäminen

Paina lukituksen vapautusvipu alas ja paina käyn-

nistysliipaisinta. Eriäinen paine liipaisimella aiheuttaa leikkuusiiman pyörimisnopeuden muuttumisen. Enemmän painetta, enemmän nopeutta.

## Pysäyttäminen

Vapauta liipaisin.

**HUOMAA:** Moottori käy vain silloin, kun sekä lukituksen vapautuspainiketta että liipaisinta painetaan.

## Nopeuden säätötoiminto (kuva M)

Siimaleikkurissa on kaksi eri nopeutta. Asento "1" on alhainen nopeus, asento "2" on korkea nopeus.

|     |                                  |
|-----|----------------------------------|
| M-1 | Korkean/alhaisen nopeuden kytkin |
| M-2 | Lukituksen vapautuspainike       |
| M-3 | Liipaisin                        |

FI

## SIIMALEIKKURIN KÄYTTÖ

Tyhjennä leikattava alue ennen jokaista käyttökertaa. Poista kaikki esineet, kuten kivet, rikkiäinen lasi, naulat, rautalanka tai narut, jotka saattavat lentää tai soikeutua leikkurin osiin. Tyhjennä alue lapsista, sivullisista ja lemmikkieläimistä. Pidä lapset, sivulliset ja lemmikkieläimet vähintään 15 metrin päässä. Sinkoutuvat esineet voivat silti vielä aiheuttaa vaaraa sivullisille. Sivullisia tulee kannustaa pitämään suojalaseja. Jos joku lähestyy sinua, sammuta moottori ja leikkuulaite välittömästi.

## Tarkasta ennen jokaista käyttöä vaurioituneiden/ kuluneiden osien varalta

Tarkista kupupää, suoja ja edessä oleva apukahva ja vaihda kaikki osat, joissa on säröjä tai jotka ovat vääntyneet, kieroutuneet tai vahingoittuneet millään tavalla.

Suojuksen reunassa oleva siimaleikkurin terä voi tylsyä ajan myötä. Suosittelemme, että teroitat sen määrääjain viilalla tai vaihdat sen uuteen terään.

## Puhdista leikkuri jokaisen käyttökerran jälkeen.

### LEIKKUUSIIMAN PITUUDEN SÄÄTÄMINEN

Trimmeripää mahdollistaa leikkuusiiman vapauttamisen ilman moottorin sammuttamista. Kun siima hankautuu tai kuluu, siimaa voidaan vapauttaa lisää kopauttamalla leikkurin päätä kevyesti maahan leikkurin käytön aikana (kuva Q).

**HUOMAA:** Siiman vapautus vaikeutuu, kun leikkuusiima lyhenee.

**VAROITUS:** Älä poista tai muuta siimaleikkurin teräkokooppäätä. Ylimääräinen siiman pituus aiheuttaa moottorin ylikuumentumisen ja voi aiheuttaa vakavan henkilövahingon.

## SIIMAN VAIHTAMINEN

**HUOMAA:** Käytä aina suositeltua nailonleikkuusiimaa, jonka halkaisija on korkeintaan 2,4 mm. Muunlaisen siiman käyttäminen saattaa aiheuttaa siimaleikkurin kuumentumisen tai vaurioitumisen.

**VAROITUS:** Älä ikinä käytä metallilla vahvistettua siimaa, rautalankaa tai narua yms. Ne saattavat katketa ja muodostaa vaarallisia ammuksia.

- Poista akku.
- Poista jäljellä oleva siima, mikäli tarpeen.
- Leikkaa leikkuusiimasta 4 m pitkä kappale. Työnnä siima pujotusreiän sisäpuolella olevaan asennusreikään (kuva R). Työnnä ja vedä siimaa toiselta puolelta, kunnes kummallakin puolella kela on yhtä paljon siimaa.
- Paina ja pyöritä samalla alempaa suojusta nuolen suuntaan saadaksesi siiman kelalle, kunnes kummallakin puolella on näkyvissä noin 14 cm siimaa (kuva S).
- Paina alempaa suojusta ja vedä samalla siimoja käsin siiman liikuttamiseksi eteenpäin. Tarkista leikkuupään oikea kokoonpano.

Kun leikkuusiima katkeaa siiman ulostulosta tai leikkuusiimaa ei vapaudu leikkuupäätä napautettaessa, noudata seuraavia ohjeita:

- Paina ylemmän suojuksen vapautusulokkeita ja poista alempi suojuus vetämällä sitä suoraan ulospäin (kuvat T ja U).
- Irrota leikkuusiima kelasta.
- Pidä toisella kädellä alemmasta suojuksesta, tartu toisella kädellä alempaan suojukseen ja kohdistaa ylemmän suojuksen ulokkeet alemman suojuksen reikiin (kuva V). Käytä kämmettä ja paina alempaa suojusta, kunnes ulokkeet lukittuvat ylempään suojukseen.
- Noudata leikkuusiiman uudelleen lataamisessa kohdan "SIIMAN VAIHTAMINEN" ohjeita.

## 3-HAMPAISEN TERÄN VAIHTAMINEN

- Poista alemman suojuksen kokoonpano, kuten kuvissa T ja U.
- Aseta vakain ja käytä sitten iskuruuvinväännintä mutterin irrottamiseen, kuten kuvissa X1 ja X2.
- Poista kaikki osat paitsi sisempi laippa ja mutteri (kuva X3), asenna terä moottorin karaan, kuten kuvassa X4.
- Kiristä terä, kuten kuvassa X5.



## KUNNOSSAPITO

**VAROITUS:** Käytä huollon yhteydessä vain identtisiä varaosia. Tarkasta kone ja huolla sitä säännöllisesti. Pätevän huoltoteknikon tulee suorittaa kaikki korjaukset, jotta voidaan taata tuotteen turvallinen ja luotettava käyttö.

**VAROITUS:** Vakavan henkilövamman välttämiseksi poista akku työkalusta ennen kuin huollat tai puhdistat sitä tai vaihdat siihen lisäosia tai poistat materiaalia yksiköstä.

**HUOMIO:** Tukokset ilma-aukoissa estävät ilman virtaamisen moottorikehikkoon ja voivat aiheuttavat ylikuumentumista tai moottorin vahingoittumisen.

### LAITTEEN PUHDISTAMINEN

- Puhdista laite kostealla liinalla ja miedolla puhdistusaineella. Älä ikinä päästä vettä työkalun sisälle; älä koskaan upota mitään työkalun osaa nesteeseen.
- Älä käytä voimakkaita puhdistusaineita muoviseen kuoreen tai kahvaan. Ne saattavat vahingoittaa tietyistä aromaattisista öljyistä, kuten männystä ja sitruunasta, ja liuottamista, kuten kerosiinista. Kosteus voi myös aiheuttaa sähköiskun vaaran. Pyyhi kosteus pois pehmeällä ja kuivalla liinalla.
- Käytä pientä harjaa tai pienen imuriharjan ilmavirtaa, kun puhdistat ilma-aukot kehikon takaosassa.
- Pidä moottorikehikon ilma-aukot aina puhtaana irtoaineksesta.

### VAIHDEPYÖRÄN VOITELU

Vaihdekotelossa oleva vaihdepyörä tulee voidella säännöllisesti vaihderasvalla. Tarkasta vaihdekotelon rasvan taso noin 50 käyttötunnin välein poistamalla kotelon sivussa oleva tiivistysruuvi.

Jos vaihteen sivuilla ei näy rasvaa, lisää vaihderasvaa enintään 3/4 kapasiteetista seuraavien ohjeiden mukaisesti. Älä täytä vaihdepyörää kokonaan rasvalla.

1. Pidä siimaleikkuria kyljellään siten, että tiivistysruuvi on ylöspäin (kuva W).
2. Löysää tiivistysruuvia mukana toimitetulla monitoimiavaimella ja poista ruuvi.
3. Käytä rasvaruiskua (ei mukana) ja ruiskuta jonkin verran rasvaa ruuvin reikään; älä ylitä 3/4 kapasiteetista.
4. Kiristä tiivistysruuvi ruiskutuksen jälkeen.

### LAITTEEN VARASTOINTI

- Poista akku siimaleikkurista aina, kun se ei ole käytössä.
- Puhdista työkalu perusteellisesti ennen varastoon laittamista.
- Säilytä laite kuivassa, hyvin ilmastoidussa, lukitussa paikassa tai korkealla, poissa lasten ulottuvilta. Älä säilytä yksikköä lannoitteiden, bensiinin tai muiden kemikaalien vieressä tai päällä.

### Ympäristönsuojelu



Älä hävitä sähkölaitteita, akkulaturia tai akkuja/ladattavia paristoja kotitalousjätteen seassa! Vie tämä tuote hyväksytyyn kierrätyspaikkaan tai anna se erilliseen keräilyyn. Sähkötyökalut tulee palauttaa asianmukaiseen ympäristöstävälliseen kierrätyslaitokseen.

## VIANMÄÄRITYS

| ONGELMA                                    | SYY  | RATKAISU  |
|--|--|---|
| Siimaleikkuri ei käynnisty.                | <ul style="list-style-type: none"> <li>■ Akkua ei ole liitetty leikkuriin.</li> <li>■ Leikkurin ja akun välillä ei ole sähköliitintää.</li> <li>■ Akku on tyhjä.</li> <li>■ Lukituksen vapautuspainiketta ja liipaisinta ei paineta samanaikaisesti.</li> </ul>  | <ul style="list-style-type: none"> <li>■ Lisää akku leikkuriin.</li> <li>■ Poista akku, tarkista kosketuskohdat ja asenna akku uudelleen paikalleen.</li> <li>■ Lataa akkuyksikkö.</li> <li>■ Paina lukituksen vapautuspainike alas ja pidä sitä pohjassa samalla, kun painat liipaisinta niin siimaleikkuri käynnistyy.</li> </ul>   |
| Siimaleikkuri pysähtyy kesken leikkauksen. | <ul style="list-style-type: none"> <li>■ Suojaa ei ole kiinnitetty leikkuriin, mikä aiheuttaa liian pitkän leikkuusiiman ja moottorin ylikuormittumisen.</li> <li>■ Leikkuusiima on liian paksu.</li> <li>■ Moottorin varsi tai leikkurin pää on täynnä ruohoa.</li> <li>■ Moottori on ylikuormittunut.</li> <li>■ Akku tai siimaleikkuri on liian kuuma.</li> <li>■ Akku on irronnut työkalusta.</li> <li>■ Akku on tyhjä.</li> </ul> | <ul style="list-style-type: none"> <li>■ Poista akku ja kiinnitä suoja leikkuriin.</li> <li>■ Käytä suositeltua nailonleikkuusiimaa, jonka halkaisija on korkeintaan 2,4 mm.</li> <li>■ Pysäytä leikkuri, poista akku ja poista ruoho moottorin varresta ja leikkurin päästä.</li> <li>■ Irrota trimmerin pää ruohosta. Moottori palautuu toimintaan, kun kuormitus poistetaan. Liikuta leikkurin päätä edestakaisin leikattavassa ruohikossa ja leikkaa kerrallaan korkeintaan 20 cm pituudesta.</li> <li>■ Jäähdytä akkua tai leikkuria, kunnes sen lämpötila on alle 67 °C.</li> <li>■ Aseta akku uudelleen paikalleen.</li> <li>■ Lataa akkuyksikkö.</li> </ul> |
| Leikkurin pää ei anna lisää siimaa.        | <ul style="list-style-type: none"> <li>■ Moottorin varsi tai leikkurin pää on täynnä ruohoa.</li> <li>■ Kelassa ei ole riittävästi siimaa.</li> <li>■ Leikkuripää on likainen.</li> <li>■ Siima on solmussa kelassa.</li> <li>■ Siima on liian lyhyt.</li> </ul>   | <ul style="list-style-type: none"> <li>■ Pysäytä leikkuri, poista akku ja puhdista moottorin akseli ja leikkuupää.</li> <li>■ Poista akku ja vaihda leikkuusiima; noudata tämän käyttöoppaan SIIMAN VAIHTAMINEN -osion ohjeita.</li> <li>■ Poista akku ja puhdista leikkuupää.</li> <li>■ Poista akku, poista siima kelapäästä ja kelaa se uudelleen; noudata tämän käyttöoppaan kohdan ”LEIKKUUSIIMAN UUELLEEN LATAAMINEN” ohjeita.</li> <li>■ Poista akku ja vedä siimoja käsin samalla, kun vuorotellen painat ja vapautat trimmeripään.</li> </ul>  |

FI



| ONGELMA  | SYY  | RATKAISU   |
|--|--|--|
| Ruoho kietoutuu leikkurin päähän ja moottorin kehikkoon.                         | <ul style="list-style-type: none"><li>■ Pitkän ruohon leikkaaminen maan tasalle.</li></ul> | <ul style="list-style-type: none"><li>■ Leikkaa pitkä ruohikko ylhäältä alas niin, että leikkaat kerralla korkeintaan 20 cm ruohon pituudesta, jotta estät ruohon kiertymisen.</li></ul> |
| Leikkuupää on vaurioitunut tai alempi suojuus on irronnut ylemmästä suojuksesta. | <ul style="list-style-type: none"><li>■ Leikkuupää on kulunut.</li></ul>                   | <ul style="list-style-type: none"><li>■ Vaihdata leikkuupää välittömästi ammattitaitoisella huoltoasentajalla.</li></ul>   |

## TAKUU

### EGON TAKUUEHDOT

Verkkosivustolta [egopowerplus.com](http://egopowerplus.com) löydät EGO:n takuuehtojen täydelliset ehdot kokonaisuudessaan.

FI

## LES ALLE INSTRUKSJONER!



### LES BRUKERHÅNDBOKEN

**⚠ ADVARSEL:** Restrisiko! Personer med elektroniske enheter, for eksempel pacemakere, må rådføre seg med lege før de bruker dette produktet. Drift av elektrisk utstyr i umiddelbar nærhet av en pacemaker kan føre til at pacemakeren forstyrres eller svikter.



Sikkerhetsadvarsel



Bruk vernebriller – bruk alltid vernebriller eller vernebriller med sidebeskyttelse, og full ansiktsskjerm når du bruker dette produktet.



Bruk hørselvern – bruk alltid hørselsvern når du bruker dette produktet.



Bruk hodebeskyttelse – bruk en godkjent vernehjelm for å beskytte hodet.



Ikke installer runde skjæreblad.



Bredde – kantklipperens maks. skjærebredde



Sørg for at andre mennesker og kjæledyr er minst 15 m unna kantklipperen når den er i bruk.



Garantert lydeffektnivå. Støy i omgivelsene er i henhold til EUs direktiv.



Elektrisk avfall skal ikke kastes sammen med husholdningsavfall. Innlever ved en godkjent gjenvinningsstasjon.

$n_0$

Hastighet uten last-Rotasjonshastighet, uten last



Likestrøm

## SIKKERHETSSYMBOLER

**⚠ ADVARSEL:** Bruk av hvilke som helst elektroverktøy kan føre til at fremmedlegemer blir kastet mot øynene, noe som kan gi alvorlige øyeskader. Før du begynner å bruke elektroverktøyet, skal du alltid ta på vernebriller eller vernebriller med sidebeskyttelse, og en full ansiktsskjerm der det trengs. Vi anbefaler en Wide Vision Safety Mask til bruk over briller, eller standard vernebriller med sidebeskyttelse.



For å redusere risikoen for skader må brukeren lese bruksanvisningen.



Bruk vernesko – bruk sklisikre vernesko når du bruker utstyret.



Bruk vernehansker – beskytt hendene med hansker når du håndterer knivbladene.



Vær oppmerksom på risikoen for tilbakeslag – varsle operatøren om faren for forskyvning av skjæreblad.



Diameter – diameteren på nylontråden



Gjenstander som slynges bort, kan rikosjettere og forårsake skade på personer eller eiendom. Sørg for at andre mennesker og kjæledyr er minst 15 m unna busktrimmeren når den er i bruk.



Produktet må ikke brukes i regnvær eller etterlates utendørs når det regner.



Dette produktet er i samsvar med gjeldende EF-direktiver.

V Spenning

.../min Per minutt

kg Kilogram

## SPESIFIKASJONER

|   |                              |  |
|---|------------------------------|--|
|   | Trimmerhode                  | 3-tannet blad                                  |
| Spenning  | 56 V ---                     | 56 V ---                                       |
| Anbefalt driftstemperatur                                   | 0°C-40°C                     |  |
| Anbefalt lagringstemperatur                                 | -20°C-70°C                   |  |
| Optimal ladetemperatur                                      | 5°C-40°C                     |  |
| Hastighet uten last   | 5000/6000 min <sup>-1</sup>  | 5000/6000 min <sup>-1</sup>                    |
| Trådtype  | 2,4mm                        | /  |
| Skjæreblad  | /                            | ABB1203  |
| Kuttebredde   | 38 cm                        | 30cm   |
| Vekt (uten batteripakke)                                    | 4,21Kg                       | 4,45 kg  |
| Målt lydeffektivnivå L <sub>WA</sub>                        | 94,6 dB(A)<br>K=1,8 dB(A)    | 96,5 dB(A)<br>K=1,88 dB(A)                     |
| Lydtrykknivå ved brukers øre L <sub>PA</sub>                | 81,7 dB(A)<br>K=2,5 dB(A)    | 76,5 dB(A)<br>K=3 dB(A)                        |
| Garantert lydeffektivnivå L <sub>WA</sub> (iht. 2000/14/EF) | 96 dB(A)                     | 98 dB(A)                                       |
| Vibrasjon a <sub>h</sub>                                    | Front – fremre hjelpehåndtak | 3,2 m/s <sup>2</sup><br>K=1,5 m/s <sup>2</sup> |
|   | Bakre håndtak                | 2,3 m/s <sup>2</sup><br>K=1,5 m/s <sup>2</sup> |

- Erklært total vibrasjonsverdi er målt i overensstemmelse med en standard testmetode og kan brukes til å sammenligne ett verktøy med et annet;
- Erklært total vibrasjonsverdi kan også brukes i en foreløpig vurdering av eksponering.

**MERK:** Vibrasjoner under faktisk bruk av elektroverktøyet kan variere fra den opplyste verdien der verktøyet brukes; For å beskytte brukeren skal det alltid benyttes hansker og hørselsvern under faktiske bruksforhold.

## BESKRIVELSE

### GJØR DEG KJENT MED KANTKLIPPEREN (Fig. A1)

1. Avgrensingsring
2. Utløser
3. Bakre håndtak
4. Luftinntak
5. Låseknapp

6. Hastighetsbryter høy/lav
7. Oppheng for skulderstropp
8. Regulerbart hjelpehåndtak på forsiden
9. Skulderrem
10. Flerbruksnøkkel
11. Unbraconøkkel
12. Trimmerhode (stifthode)
13. Tråd
14. Utløserflik
15. Trådkuttingsblad
16. Bladvern
17. Utkastingsmekanisme
18. Elektriske kontakter
19. Lås
20. Gummiert beskyttelse
21. Utløserknapp for batteri
22. Sikkerhetsbarrierestang (bare for busktrimmerhode)
23. Låsehendel for sikkerhetsbarrierestang (bare for busktrimmerhode)
24. Ytre flens (bare for busktrimmerhode)
25. Mutter (bare for busktrimmerhode)
26. Skrue (bare for busktrimmerhode)

NO

## PAKKELISTE

| NAVN PÅ DEL          | ANTALL |
|----------------------|--------|
| Kantklipper          | 1      |
| Bladvern             | 1      |
| Fremre hjelpehåndtak | 1      |
| Unbraconøkkel        | 1      |
| Flerbruksnøkkel      | 1      |
| Skulderrem           | 1      |
| Brukerhåndbok        | 1      |
| Låsehendel           | 1      |
| Ytre flens           | 1      |
| Mutter               | 1      |
| Skrue                | 2      |

## MONTERING

### MONTERING AV SKJERMEN

1. Løsne og ta ut de to skruene på bladvernet (Fig. B).

2. Juster de to monteringshullene på bladvernet så de er på linje med hullene i verktøyet, og lås bladvernet til skaftsokkelen ved hjelp av de to skruene og de to fjærskivene (Fig. C).

**MERK:** Sørg for at skjermen er festet slik Fig. B og C viser. Festes den motsatt, kan det forårsake stor skade!

## MONTERING OG JUSTERING AV FREMRE HJELPEHÅNDTAK

1. Løsne låsehendelen i fremre hjelpehåndtak og ta låsehendelen og vingemutteren ut av fremre hjelpehåndtak (Fig. D).

**MERK:** Monter sikkerhetsbarrierestangen i sløyfehåndtaket ved hjelp av de to skruene når verktøyet er utstyrt med busktrimmerhode.

**MERK:** det finnes to typer låsehendel. Den korteste er ment for bruk med trimmerhodet. Den lengste er ment for bruk med busktrimmerhodet. Pass på at du velger riktig låsehendel når du skal bruke verktøyet.

|     |                      |     |  |
|-----|----------------------|-----|--|
| D-1 | Fremre hjelpehåndtak | D-4 | Sikkerhetsbarrierestang (bare for busktrimmerhode) |
| D-2 | Klemblokk            | D-5 | Låsehendel   |
| D-3 | Vingemutter          |     |  |

2. Skyv fronthåndtaket inn i skaftet foran avgrensingsringen. Det må aldri plasseres mellom avgrensingsringen og området rundt det bakre håndtaket (Fig. E).
3. Sett tvingen inn i spalten på håndtaket (Fig. F).
4. Sett på låsehendelen, og stram til midlertidig med vingemutteren. Pass på at det fremre hjelpehåndtaket vender opp og peker mot toppen av det bakre håndtaket (Fig. G).
5. Juster fremre hjelpehåndtak mellom ringen og etiketten for å forsikre deg om at forsiden av armen din er rett når du betjener verktøyet (Fig. H).
6. Lås spaken på låsehendelen. (Fig. I).

**⚠ ADVARSEL:** Verktøyet kan ikke brukes uten at fremre hjelpehåndtak er godt festet.

## PÅSETTING AV SKULDERREM

Trykk remkroken inn for å åpne den, og fest den på opphengt beregnet på dette (Fig. J).

## BRUK

**⚠ ADVARSEL:** Bruk alltid verne- eller sikkerhetsbriller

# 78

med sideskjerm i tillegg til løgselsvern. Hvis du ikke gjør det, kan du få fremmedlegemer i øynene eller pådra deg andre alvorlige skader.

Du kan bruke dette produktet til formålene som er listet opp under:

**Kantklipping:** brukes for å fjerne gress og ugress inntil vegger, gjerder, trær og tomtegrenser.

**Skjæring:** brukes for å klippe gress som er vanskelig å komme til med en vanlig gressklipper.

**MERK:** Verktøyet skal bare brukes til sitt foreskrevne formål. All annen bruk anses for å være feil bruk.

## FESTE/FJERNE BATTERIPAKKEN

Bruk kun med batteripakker og ladere som oppført i fig. A2.

### Lad opp før første gangs bruk

### Slik setter du det på

Juster batteririllene så de er på linje med monterings-sporene, og trykk batteripakken ned til du hører et klikk (Fig. K).

### Slik tar du det av

Trykk på batteriutløserknappen og trekk batteripakken ut som vist i Fig. L.

|     |                          |
|-----|--------------------------|
| L-1 | Utløserknapp til batteri |
|-----|--------------------------|

## HOLDE KANTKLIPPEREN

For sikker og bedre drift bør skulderremmen legges rundt skulderen som vist i Fig. N. Juster den så den føles behagelig når du bruker apparatet. Hold kantklipperen med begge hender: En hånd på det bakre håndtaket og den andre hånden på det fremre hjelpehåndtaket.

**MERK:** Trimmerhodet skal være parallelt med bakken i riktig klippeavstand uten at operatøren må bøye seg (Fig. N).

Det er to måter du kan utløse remmen på. Ta den rett av skulderen (Fig. O), eller trykk på remkroken som du løsner fra opphengt på skaftet (Fig. P).

**⚠ ADVARSEL:** Skulderremmen er også en rask utløsermekanisme i farlige situasjoner. Når en nødssituasjon oppstår, ta apparatet av skulderen umiddelbart, uansett hvordan remmen er påsatt.

## STARTE/STOPPE KANTKLIPPEREN (Fig. M)

### For å starte opp

Trykk ned låsespaken, deretter utløseren. Forskjellig trykk på utløseren resulterer i forskjellig rotasjons hastighet på skjæretråden. Mer trykk betyr høyere hastighet.

### For å stanse

Slipp utløseren.

**MERK:** Motoren går bare når både låseknapp og utløser er trykket ned.

### Hastighetsregulering (Fig. M)

Kantklipperen har to hastigheter. Posisjon "1" er for lav hastighet og posisjon "2" for høy hastighet.

|     |                          |
|-----|--------------------------|
| M-1 | Hastighetsbryter høy/lav |
| M-2 | Låseknapp                |
| M-3 | Utløser                  |

### BRUK AV KANTKLIPPEREN

Rydd arbeidsområdet før du bruker verktøyet. Fjern alle gjenstander som steiner, glasskår, spikre, ståltråd eller snorer som kan slynges bort eller vikle seg inn i skjæretilbehøret. Hold barn, tilskuere og kjæledyr unna området. Som et minimum må alle barn, tilskuere og kjæledyr holdes på minst 15 meters avstand. Vær obs på at gjenstander som slynges ut, fremdeles kan representere en fare for tilskuere. Tilskuere bør oppfordres til å bruke øyebeskyttelse. Hvis noen nærmer seg deg, så stopp motoren og skjæretilbehøret umiddelbart.

### Før hver bruk må du se etter skadede/slitte deler

Sjekk støthodet, skjermen og det fremre hjelpehåndtaket, og bytt de delene som har sprekker, er vridd, bøyd eller skadet på noen måte.

Trådskjærebladet langs kanten av bladvernet kan sløves over tid. Det anbefales å skjerpe den jevnlig med en fil, eller bytte den ut med et nytt blad.

### Kantklipperen skal rengjøres etter hver bruk.

### JUSTERING AV TRÅDLENGDE

Trimmerhodet gjør at brukeren kan utløse mer skjæretråd uten å stoppe motoren. Etter hvert som tråden blir frynset eller slitt, kan ekstra tråd utløses med et lett trykk på trimmerhodet mot bakken mens kantklipperen er i gang (Fig. Q).

**MERK:** Det blir vanskeligere å utløse mer tråd når skjæretråden blir kortere.

**⚠ ADVARSEL:** Unngå å ta av eller gjøre endringer på knivbladet. For lang tråd vil medføre at motoren blir overopphetet og kan resultere i alvorlig personskade.

### BYTTE TRÅD

**MERK:** Bruk alltid den anbefalte nylontråden med en

diameter som ikke overskrider 2,4 mm. Hvis du bruker en annen tråd enn den som er anbefalt, kan kantklipperen bli overopphetet eller skadet.

**⚠ ADVARSEL:** Det må aldri benyttes metallforsterket tråd, wire, tau e.l. Disse kan brenne og bli farlige prosjektiler.

1. Ta ut batteripakken.
2. Fjern gjenværende skjæretråd hvis nødvendig.
3. Skjær en skjæretråd på 4 m. Før tråden inn i monteringsåpningen i maljen (Fig. R). Skyv og dra tråden fra den andre siden til det er like mye tråd på begge sider av spolen.
4. Trykk mens du dreier nedre deksel i pilens retning for å vikle tråden rundt spolen til det er ca. 14 cm tråd på hver side (Fig. S).
5. Skyv nedre deksel ned samtidig som du drar i tråden for å få ut mer, og for å sjekke at trimmerhodet er riktig påsatt.

Hvis skjæretråden går i stykker der tråden kommer ut, eller den ikke utløses når du banker på trimmerhodet, gjør du følgende:

1. Trykk på utløserflikene på øvre deksel, og ta av nedre deksel ved å dra det rett ut (Fig. T og U).
2. Fjern skjæretråden fra spoleholderen.
3. Mens den ene hånden holder øvre deksel, bruker du den andre til å ta tak i nedre deksel og justerer flikene på øvre deksel i forhold til hullene i det nedre (Fig. V). Bruk håndflaten til å trykke og dreie på nedre deksel til flikene går i inngrep med øvre deksel.
4. Følg instruksjonene i "BYTTE TRÅD" for å sette skjæretråden på igjen.

### BYTTE AV 3-TANNET BLAD

1. Fjern det nedre dekselet som vist i Fig. T og U
2. Sett inn stabilisatoren og bruk deretter en muttertrekker for å løsne mutteren som vist i Fig. X1 og X2.
3. Fjern alle delene unntatt indre flens og mutter (Fig. X3), monter bladet på motorakselen som vist i Fig. X4.
4. Stram til skruene som vist i Fig. X5.

### VEDLIKEHOLD

**⚠ ADVARSEL:** Når verktøyet trenger service, må bare identiske reservedeler benyttes. Maskinen må etteres og vedlikeholdes regelmessig. For å sikre trygg og pålitelig bruk må alle reparasjoner utføres av en kvalifisert fagperson.

**NO**

**⚠ ADVARSEL:** For å unngå alvorlig personskade, tas batteriet ut av verktøyet før service, rengjøring, bytte av tilbehør eller fjerning av materiale fra enheten.

**⚠ FORSIKTIG:** Dersom ventilasjonsåpningene blokkeres, vil dette hindre luft fra å komme inn i motorhuset og resultere i overoppheting av eller skade på motoren.



Elektrisk utstyr, batteriladere og batterier / oppladbare batterier må ikke kastes i husholdningsavfallet! Ta med dette produktet til autorisert gjenvinning, og gjør det tilgjengelig for separat innsamling. Elektriske verktøy må returneres til et egnet resirkuleringsanlegg.

## RENGJØRING AV ENHETEN

- Rengjør apparatet med en fuktig klut og et mildt rengjøringsmiddel. La aldri væske trenge inn i verktøyet, og nedsenk aldri noen del av verktøyet i væske.
- Ikke bruk sterke vaskemidler på plastdeksel eller håndtak. Disse delene kan bli skadet av enkelte aromatiske oljer, som furu og sitron, og av løsemidler som parafin. Fuktighet kan også medføre fare for elektrisk støt. Tørk av eventuell fuktighet med en myk og tørr klut.
- Bruk en liten børste eller støvsugerbørste til å rengjøre luftventiler på bakre deksel.
- Hold ventilasjonsåpningene i motorhuset fri for rusk til enhver tid.

NO

## SMØRING AV GIRDREVE

Girdrevet i girkassen må smøres med jevne mellomrom med girolje. Sjekk nivået på oljen i girkassen ca. hver 50. driftstime ved å ta av forseglingskruen på siden av kassen.

Hvis du ikke ser noe olje langs sidene av giret, følger du trinnene under for å fylle girolje til 3/4 av kapasiteten. Girdrevet må ikke fylles helt opp.

1. Plasser kantklipperen på siden slik at forseglingskruen vender opp (Fig. W).
2. Bruk den medfølgende flerbruksnøkkelen til å løsne og ta av forseglingskruen.
3. Bruk en oljesprøyte (følger ikke med) til å sprøyte inn olje i skruehullet; ikke fyll opp mer enn 3/4.
4. Stram til forseglingskruen når du er ferdig.

## OPPBEVARING AV VERKTØYET

- Ta batteripakken ut av kantklipperen når den ikke er i bruk.
- Rengjør verktøyet grundig før du setter det til oppbevaring.
- Oppbevar verktøyet på et tørt og godt ventilert sted, innelåst eller høyt plassert, og utilgjengelig for barn. Unngå å oppbevare verktøyet på eller ved siden av gjødningsmidler, bensin eller andre kjemikalier.

Beskytt miljøet

80



## FEILSØKING

| PROBLEM                                | ÅRSAK  | LØSNING   |
|--|--|---|
| Kantklipperen starter ikke.            | <ul style="list-style-type: none"> <li>■ Batteripakken er ikke montert i kantklipperen.</li> <li>■ Ingen elektrisk kontakt mellom kantklipperen og batteriet.</li> <li>■ Batteripakken er utladet.</li> <li>■ Låseknappen og utløseren er ikke trykket ned samtidig.</li> </ul>  | <ul style="list-style-type: none"> <li>■ Monter batteripakken i kantklipperen.</li> <li>■ Fjern batteriet, sjekk kontakter og installer batteripakken.</li> <li>■ Lad opp batteripakken.</li> <li>■ Trykk ned låseknappen og hold den inne, og trykk deretter på utløseren for å slå på kantklipperen.</li> </ul>   |
| Kantklipperen stopper under klipping.  | <ul style="list-style-type: none"> <li>■ Skjermen er ikke montert på kantklipperen, noe som resulterer i at tråden blir for lang, og at motoren blir overbelastet.</li> <li>■ Tråden som brukes, er for tung.</li> <li>■ Gress har festet seg rundt trimmerhodet.</li> <li>■ Motoren er overbelastet.</li> <li>■ Batteripakken eller kantklipperen er for varm.</li> <li>■ Batteripakken er fjernet fra verktøyet.</li> <li>■ Batteripakken er utladet.</li> </ul> | <ul style="list-style-type: none"> <li>■ Ta ut batteripakken og monter bladvernet på kantklipperen.</li> <li>■ Bruk alltid anbefalt skjæretråd av nylon med en diameter som ikke er større enn 2,4 mm.</li> <li>■ Stopp kantklipperen, ta ut batteriet og fjern gresset fra drivakselen og trimmerhodet.</li> <li>■ Ta trimmerhodet bort fra gresset. Motoren vil fungere igjen når belastningen er fjernet. Når du kutter, flyttes trimmerhodet inn og ut av gresset som skal klippes, og ikke fjern mer enn 20 cm lengde i et enkelt kutt.</li> <li>■ La batteripakken eller kantklipperen kjøle seg ned til temperaturen er kommet under 67 °C.</li> <li>■ Installer batteripakken på nytt.</li> <li>■ Lad opp batteripakken.</li> </ul> |
| Trimmerhodet trekker ikke frem tråden. | <ul style="list-style-type: none"> <li>■ Gress har festet seg rundt trimmerhodet.</li> <li>■ Det er ikke nok tråd på spolen.</li> <li>■ Trimmerhodet er skittent.</li> <li>■ Tråden har viklet seg rundt spoleholderen.</li> <li>■ Tråden er for kort.</li> </ul>  | <ul style="list-style-type: none"> <li>■ Stopp kantklipperen, ta ut batteriet og rengjør drivakselen og trimmerhodet.</li> <li>■ Ta ut batteriet, og skift ut tråden ved å følge anvisningene i avsnittet «BYTTE AV TRÅD» i denne håndboken.</li> <li>■ Ta ut batteriet og rengjør trimmerhodet.</li> <li>■ Fjern batteriet, ta tråden ut av trimmerhodet og spol tilbake; se avsnittet «TREKKE FREM SKJÆRETRÅDEN» i denne håndboken.</li> <li>■ Fjern batteriet og dra i trådene med hendene mens du vekselvis trykker ned og slipper opp trimmerhodet.</li> </ul>   |

**NO**

| PROBLEM  | ÅRSAK   | LØSNING  |
|--|---|--|
| Gress fester seg rundt trimmerhodet og motorhuset.                     | <ul style="list-style-type: none"><li>▪ Du forsøker å klippe høyt gress på bakkenivå.</li></ul> | <ul style="list-style-type: none"><li>▪ Klipp høyt gress fra toppen og ned, og ikke fjern mer enn 20 cm i hver passering, for å hindre opphopning.</li></ul> |
| Sprekker i trimmerhodet eller nedre deksel gjør at øvre deksel løsner. | <ul style="list-style-type: none"><li>▪ Trimmerhodet er utslitt.</li></ul>                      | <ul style="list-style-type: none"><li>▪ Trimmerhodet må byttes umiddelbart av en kvalifisert reparatør.</li></ul>  |

## GARANTI

### EGO's GARANTIREGLER

Besøk nettsiden [egopowerplus.com](http://egopowerplus.com) for å se fullstendige vilkår og betingelser for EGO-garantireglene.

**NO**

## ПРОЧИТАЙТЕ ВСЕ ИНСТРУКЦИИ!



### ПРОЧИТАЙТЕ РУКОВОДСТВО ПОЛЬЗОВАТЕЛЯ

**⚠ ПРЕДУПРЕЖДЕНИЕ.** Остаточный риск! Если вы используете такие электронные устройства, как кардиостимулятор, перед эксплуатацией данного устройства проконсультируйтесь с врачом. Использование электрооборудования в непосредственной близости от кардиостимулятора может привести к образованию помех и повреждению кардиостимулятора.



### Предупреждение об опасности



Надевайте защитные очки. При работе с данным устройством всегда используйте защиту для глаз или защитные очки с боковыми щитками и полнопрофильную защитную маску.



Используйте средства защиты органов слуха. При использовании устройства всегда надевайте средства защиты органов слуха.



Используйте защитный головной убор. Используйте надежную каску для защиты головы.



Не используйте круглые режущие элементы.



Ширина. Макс. ширина резания триммера с леской



Убедитесь, что другие люди и животные находятся на расстоянии не менее 15 м от работающего устройства.



Гарантированный уровень звуковой мощности. Уровень шума в окружающей среде в соответствии с директивой ЕС.



Неисправные электрические устройства нельзя выбрасывать вместе с бытовым мусором. Сдавайте их в авторизованные пункты сбора и утилизации.

$n_0$

Скорость работы без нагрузки-Скорость вращения без нагрузки



Постоянный ток

## СИМВОЛЫ БЕЗОПАСНОСТИ



**⚠ ПРЕДУПРЕЖДЕНИЕ.** В результате работы электроинструмента в глаза могут попасть посторонние предметы, что приведет к серьезному повреждению глаз. Перед началом использования электроинструмента всегда надевайте защитную маску или защитные очки с боковыми щитками и полнопрофильную защитную маску (при необходимости). Поверх очков или стандартных защитных очков рекомендуется надевать безопасную маску с широким обзором.



Прочитайте руководство по эксплуатации, чтобы уменьшить риск получения травм.



Используйте надежную обувь. При использовании устройства надевайте надежную нескользящую обувь.



Используйте защитные перчатки. При работе с режущим элементом и щитком надевайте защитные перчатки.



Остерегайтесь отдачи режущего элемента. Предупредите оператора об опасности отдачи режущего элемента.



Диаметр. Диаметр нейлоновой режущей лески.



Отброшенные предметы могут отскочить и привести к травмам или повреждению имущества. Убедитесь, что другие люди и животные находятся на расстоянии от работающего устройства.



Во время дождя не используйте устройство и не оставляйте его вне помещения.



Соответствует основным требованиям стандартов безопасности Европейских директив.

V

Напряжение

.../min

В минуту

kg

Килограмм

RU

## ХАРАКТЕРИСТИКИ

|  |                                   |  |  |
|--|-----------------------------------|--|--|
|  | Режущая головка                   | Режущий элемент с тремя зубцами                |  |
| Напряжение   | 56 В ---                          | 56 В ---                                       |  |
| Рекомендуемая рабочая температура  | 0 °C-40 °C                        |  |  |
| Рекомендуемая температура хранения   | -20 °C-70 °C                      |  |  |
| Оптимальная температура зарядки  | 5 °C-40 °C                        |  |  |
| Скорость вращения без нагрузки   | 5000/6000 мин <sup>-1</sup>       | 5000/6000 мин <sup>-1</sup>                    |  |
| Тип режущей лески  | 2,4 мм                            | /  |  |
| Режущий элемент  | /                                 | ABV1203  |  |
| Ширина резания   | 38 см                             | 30 мм  |  |
| Масса (без аккумулятора)   | 4,21 кг                           | 4,45 кг  |  |
| Измеренный уровень звуковой мощности, L <sub>WA</sub>  | 94,6 дБ (А)<br>K=1,8 дБ (А)       | 96,5 дБ (А)<br>K=1,88 дБ (А)                   |  |
| Уровень звукового давления на уши оператора, L <sub>PA</sub>   | 81,7 дБ (А)<br>K=2,5 дБ (А)       | 76,5 дБ (А)<br>K=3 дБ (А)                      |  |
| Гарантированный уровень звуковой мощности, L <sub>WA</sub> (в соответствии со стандартом 2000/14/ЕС) | 96 дБ (А)                         | 98 дБ (А)                                      |  |
| Вибрация a <sub>h</sub>  | Передняя вспомогательная рукоятка | 3,2 м/с <sup>2</sup><br>K=1,5 м/с <sup>2</sup> | 2,8 м/с <sup>2</sup><br>K=1,6 м/с <sup>2</sup> |
|  | Задняя рукоятка                   | 2,3 м/с <sup>2</sup><br>K=1,5 м/с <sup>2</sup> | 3,1 м/с <sup>2</sup><br>K=1,6 м/с <sup>2</sup> |

- Указанное общее значение вибрации было определено с помощью стандартного теста и может быть использовано для сравнения разных инструментов.
- Указанное общее значение вибрации также может использоваться для предварительной оценки уровня воздействия.

**ПРИМЕЧАНИЕ.** Реальное вибрационное воздействие электронинструмента может отличаться от указанного в зависимости от способа использования. В целях безопасности оператор должен надевать перчатки и средства защиты органов слуха во время использования устройства.

## ОПИСАНИЕ

### ЧАСТИ ТРИММЕРА (Рис. А1)

1. Ограничительное кольцо
2. Курок
3. Задняя рукоятка
4. Воздухозаборное отверстие
5. Кнопка блокировки
6. Переключатель высокой/низкой скорости
7. Крепление наплечного ремня
8. Регулируемая передняя вспомогательная рукоятка
9. Наплечный ремень
10. Многофункциональный гаечный ключ
11. Шестигранный ключ
12. Головка триммера (катушки)
13. Режущая леска
14. Фиксатор
15. Лезвие для обрезки лески
16. Щиток
17. Выталкивающий механизм
18. Электрические контакты
19. Защелка
20. Резиновая защитная накладка
21. Кнопка фиксации аккумулятора
22. Защитное ограждение (только для головки кустореза)
23. Стопор защитного ограждения (только для головки кустореза)
24. Внешний фланец (только для головки кустореза)
25. Гайка (только для головки кустореза)
26. Винты (только для головки кустореза)

### КОМПЛЕКТ ПОСТАВКИ

| НАЗВАНИЕ ДЕТАЛИ                        | КОЛИЧЕСТВО |
|--|------------|
| Триммер с леской                       | 1          |
| Щиток                                  | 1          |
| Узел передней вспомогательной рукоятки | 1          |
| Шестигранный ключ                      | 1          |
| Многофункциональный гаечный ключ       | 1          |
| Плечевой ремень                        | 1          |
| Руководство по эксплуатации            | 1          |
| Стопор                                 | 1          |
| Внешний фланец                         | 1          |
| Гайка                                  | 1          |
| Винт                                   | 2          |

## СБОРКА

### УСТАНОВКА ЩИТКА

1. Выкрутите из щитка два винта (Рис. В).
2. Совместите крепежные отверстия щитка с

RU

отверстиями для установки, а затем зафиксируйте щиток на основании вала при помощи двух винтов и двух пружинных шайб (Рис. С).

**ПРИМЕЧАНИЕ.** Убедитесь, что щиток установлен так, как показано на Рис. В и С. Любое другое положение может быть очень опасным!

### УСТАНОВКА И РЕГУЛИРОВКА ПЕРЕДНЕЙ ВСПОМОГАТЕЛЬНОЙ РУКОЯТКИ

1. Ослабьте стопор передней вспомогательной рукоятки, затем снимите стопор и барашковую гайку с передней вспомогательной рукоятки (Рис. D).

**ПРИМЕЧАНИЕ.** Если инструмент оборудован головкой кустореза, установите защитное ограждение на рукоятку-скобу с помощью двух винтов.

**ПРИМЕЧАНИЕ.** Существует два типа стопоров. Короткий предназначен для использования с головкой триммера. Длинный — для использования с головкой кустореза. Будьте внимательны при выборе стопора перед использованием инструмента.

|     |                                   |     |  |
|-----|-----------------------------------|-----|--|
| D-1 | Передняя вспомогательная рукоятка | D-4 | Защитное ограждение (только для головки кустореза) |
| D-2 | Зажимной блок                     | D-5 | Стопор   |
| D-3 | Барашковая гайка                  |     |  |

2. Установите переднюю рукоятку на вал перед ограничительным кольцом. Никогда не размещайте ее между ограничительным кольцом и задней рукояткой (Рис. E).
3. Вставьте зажимной блок в отверстие рукоятки (Рис. F).
4. Установите стопор и предварительно затяните при помощи барашковой гайки. Убедитесь, что передняя вспомогательная рукоятка расположена вертикально и направлена к верхней части задней рукоятки (Рис. G).
5. Отрегулируйте переднюю вспомогательную рукоятку между ограничительным кольцом и этикеткой таким образом, чтобы передняя рука была полностью выпрямлена во время работы (Рис. H).
6. Заблокируйте рычаг стопора (Рис. I).

**⚠ ПРЕДУПРЕЖДЕНИЕ.** Устройство нельзя использовать без надежно установленной передней вспомогательной рукоятки.

### УСТАНОВКА НАПЛЕЧНОГО РЕМНЯ

Нажмите на карабин ремня, чтобы открыть его, и присоедините к креплению плечевого ремня (Рис. J).

## ЭКСПЛУАТАЦИЯ

**⚠ ПРЕДУПРЕЖДЕНИЕ.** При работе с данным устройством всегда используйте защитные очки или защитные очки с боковыми щитками, а также средства защиты органов слуха. В противном случае выбрасываемые предметы могут попасть в глаза, что приведет к получению серьезной травмы.

Данное устройство можно использовать в следующих целях.

**Скашивание:** используется для удаления травы и сорняков рядом со стенами, заборами, деревьями и бордюрами.

**Срезание:** используется для скашивания травы, которую трудно достать при помощи обычной газонокосилки.

**ПРИМЕЧАНИЕ.** Инструмент должен использоваться только по назначению. Любое другое использование (например, обрезка кустов) считается ненадлежащим.

### УСТАНОВКА И ДЕМОНТАЖ АККУМУЛЯТОРА

Используйте только аккумуляторы и зарядные устройства, указанные на рис. A2.

**Перед первым использованием полностью зарядите аккумулятор.**

#### Установка

Совместите ребра аккумулятора с крепежными отверстиями и вставьте аккумулятор до щелчка (Рис. K).

#### Демонтаж

Нажмите кнопку фиксации аккумулятора и извлеките аккумулятор, как показано на Рис. L.

|     |                                |
|-----|--------------------------------|
| L-1 | Кнопка извлечения аккумулятора |
|-----|--------------------------------|

### ОБРАЩЕНИЕ С ТРИММЕРОМ С ЛЕСКОЙ

Для более безопасной и эффективной работы надевайте ремень через плечо, как показано на Рис. N. Отрегулируйте наплечный ремень для удобного рабочего положения. Крепко держите триммер двумя руками. Одна рука должна удерживать заднюю рукоятку, а другая — переднюю вспомогательную рукоятку.

**ПРИМЕЧАНИЕ.** Головка триммера должна располагаться параллельно земле на таком расстоянии, при котором оператору не нужно тянуться и перегибаться (Рис. N).

Существует два способа отсоединения ремня. Снимите его непосредственно с плеча (Рис. O) или отстегните карабин и снимите его с крепления наплечного ремня,

прикрепленного к валу (Рис. Р).

**⚠ ПРЕДУПРЕЖДЕНИЕ.** Наплечный ремень также является быстроразъемным механизмом, использующимся в опасных ситуациях. В случае возникновения чрезвычайной ситуации немедленно снимите его с плеча любым способом.

## ВКЛЮЧЕНИЕ И ВЫКЛЮЧЕНИЕ ТРИММЕРА С ЛЕСКОЙ (Рис. М)

### Включение

Нажмите на рычаг блокировки, затем зажмите курковый переключатель. Сила нажатия на курок влияет на скорость вращения лески. Чем сильнее нажат курок, тем выше скорость.

### Выключение

Отпустите курок.

**ПРИМЕЧАНИЕ.** Двигатель работает только в том случае, когда кнопка блокировки и курок зажаты одновременно.

### Функция регулировки скорости (Рис. М)

Триммер имеет два скоростных режима. Положение «1» соответствует низкой скорости, а положение «2» — высокой.

|     |                                       |
|-----|---------------------------------------|
| M-1 | Переключатель высокой/низкой скорости |
| M-2 | Кнопка блокировки                     |
| M-3 | Курок                                 |

## ИСПОЛЬЗОВАНИЕ ТРИММЕРА С ЛЕСКОЙ

Очищайте обрабатываемый участок перед каждым использованием инструмента. Удалите такие предметы, как камни, осколки стекла, гвозди, проволоку или веревки, которые могут запутаться в режущем приспособлении или которые оно может отбросить. На участке не должны находиться дети, прохожие и животные. Дети, прохожие и животные должны находиться на расстоянии не менее 15 м, так как во время работы могут отлетать предметы. Посторонние лица должны надевать защитные очки. В случае приближения посторонних лиц немедленно остановите двигатель и режущее приспособление.

### Перед каждым использованием проверяйте устройство на наличие поврежденных и изношенных частей.

Проверьте головку катушки, щиток и переднюю вспомогательную рукоятку и замените треснувшие, деформированные, изогнутые или поврежденные части.

Лезвие для обрезки лески на краю щитка может время от времени затупляться. Рекомендуется периодически затачивать его напильником или заменять новым.

### Очищайте триммер после каждого использования.

## РЕГУЛИРОВКА ДЛИНЫ РЕЖУЩЕЙ ЛЕСКИ

Режущая головка позволяет оператору вытянуть дополнительное количество лески, не выключая двигатель. Если леска изнасилась во время использования триммера, слегка прижмите головку триммера к земле, чтобы вытянуть дополнительную леску (Рис. Q).

**ПРИМЕЧАНИЕ.** Вытягивание лески становится сложнее по мере ее укорачивания.

**⚠ ПРЕДУПРЕЖДЕНИЕ.** Не демонтируйте и не изменяйте узел лезвия для обрезки лески. Слишком длинная леска может стать причиной перегрева двигателя и серьезных травм.

## ЗАМЕНА ЛЕСКИ

**ПРИМЕЧАНИЕ.** Используйте рекомендуемую нейлоновую режущую леску диаметром не более 2,4 мм. Использование другой лески может привести к перегреву или повреждению триммера.

**⚠ ПРЕДУПРЕЖДЕНИЕ.** Никогда не используйте усиленную металлом леску, проволоку, веревку и т. д. Части этих материалов могут отделяться и опасно разлетаться в стороны.

1. Извлеките аккумулятор.
2. При необходимости извлеките оставшуюся леску.
3. Отрежьте 4 м лески и вставьте ее в крепежное отверстие внутри ушка (Рис. R). Проденьте и вытяните леску с другой стороны таким образом, чтобы с обеих сторон катушки леска была одинаковой длины.
4. Прижмите нижнюю крышку и вращайте ее в направлении, указанном стрелкой, чтобы намотать леску на катушку, оставив приблизительно по 14 см с каждой стороны (Рис. S).
5. Прижмите нижнюю крышку и одновременно вытяните обе лески, чтобы вручную отрегулировать длину и проверить правильность сборки головки триммера.

Если режущая леска выскочила из отверстия или не вытягивается при нажатии на головку триммера, следуйте инструкциям ниже.

1. Нажмите на фиксаторы на верхней крышке и потяните нижнюю крышку, чтобы снять (Рис. T и U).
2. Извлеките режущую леску из катушки.

3. Одной рукой удерживайте нижнюю крышку, а другой рукой возьмитесь за нижнюю крышку и совместите выступы на верхней крышке с отверстиями на нижней крышке (Рис. V). Прижмите нижнюю крышку ладонью, чтобы выступы зафиксировались на месте.
4. Инструкции по установке режущей лески см. в разделе «ЗАМЕНА ЛЕСКИ».

### ЗАМЕНА РЕЖУЩЕГО ЭЛЕМЕНТА С ТРЕМЯ ЗУБЦАМИ

1. Снимите нижнюю крышку, как показано на Рис. T и U.
2. Вставьте фиксатор и открутите гайку с помощью торцевого ключа (Рис. X1 и X2).
3. Снимите все детали, кроме внутреннего фланца и гайки (Рис. X3), затем установите режущий элемент на вал двигателя (Рис. X4).
4. Зафиксируйте режущий элемент (Рис. X5).

## ОБСЛУЖИВАНИЕ

**⚠ ПРЕДУПРЕЖДЕНИЕ.** При ремонте используйте только идентичные запасные части. Регулярно проверяйте устройство и выполняйте его обслуживание. Для обеспечения безопасности и надежности устройства его ремонт должен выполнять квалифицированный специалист.

**⚠ ПРЕДУПРЕЖДЕНИЕ.** Чтобы предотвратить получение серьезных травм, извлеките аккумулятор перед выполнением сервисного обслуживания, очистки, замены принадлежностей или удаления материала из устройства.

**⚠ ВНИМАНИЕ!** Загрязнения в вентиляционных отверстиях могут помешать попаданию воздуха в корпус двигателя и привести к перегреву и повреждению двигателя.

### ОЧИСТКА УСТРОЙСТВА

- Очистите устройство с помощью влажной ткани и мягкого моющего средства. Никогда не допускайте попадания какой-либо жидкости внутрь инструмента и никогда не погружайте никакие части инструмента в жидкость.
- Не используйте активные моющие средства для очистки пластикового корпуса или рукоятки. Они могут быть повреждены определенными ароматическими маслами, такими как хвойное и лимонное масла, а также растворителями, например керосином. Кроме того, наличие влаги может привести к поражению электрическим током. Протрите влажное место мягкой сухой тканью.

- С помощью маленькой щетки или небольшого пылесоса очистите вентиляционные отверстия на задней стороне корпуса.
- Следите за тем, чтобы вентиляционные отверстия на корпусе двигателя всегда были чистыми.

### СМАЗКА ШЕСТЕРНЕЙ РЕДУКТОРА

Шестерни в редукторе необходимо периодически смазывать трансмиссионной смазкой. Проверяйте уровень смазки каждые 50 часов работы. Для этого извлеките уплотнительный винт на боковой стороне корпуса.

Если по бокам шестерней не видно следов смазки, выполните указанные ниже действия, чтобы залить трансмиссионную смазку на 3/4 объема. Не заливайте шестерни редуктора полностью.

1. Положите триммер с леской на бок таким образом, чтобы уплотнительный винт был направлен вверх (Рис. W).
2. Используйте прилагаемый многофункциональный гаечный ключ, чтобы открутить и извлечь уплотнительный винт.
3. Используйте смазочный шприц (не входит в комплект), чтобы впрыснуть немного смазки в отверстие для винта (не более 3/4 объема).
4. Закрутите уплотнительный винт после смазки.

RU

### ХРАНЕНИЕ УСТРОЙСТВА

- Если триммер не используется, извлеките из него аккумулятор.
- Тщательно очистите устройство перед хранением.
- Храните устройство в сухом, хорошо проветриваемом, закрытом или высоком месте, недоступном для детей. Не храните устройство рядом с удобрениями, бензином или другими химическими веществами.

### Защита окружающей среды



Не выбрасывайте электроприборы, зарядные устройства и аккумуляторные батареи вместе с бытовыми отходами! Отправьте данное изделие на переработку в специализированное предприятие или сдайте его для раздельного сбора. Электроинструменты должны быть возвращены на перерабатывающее предприятие, не наносящее ущерба окружающей среде.

## УСТРАНЕНИЕ НЕПОЛАДОК

| ПРОБЛЕМА                                      | ПРИЧИНА  | РЕШЕНИЕ  |
|---|--|--|
| Триммер с леской не запускается.              | <ul style="list-style-type: none"> <li>■ Аккумулятор не установлен в триммер.</li> <li>■ Нет электрического контакта между триммером и аккумулятором.</li> <li>■ Аккумулятор разряжен.</li> <li>■ Кнопка блокировки и курковый переключатель не зажаты одновременно.</li> </ul>  | <ul style="list-style-type: none"> <li>■ Установите аккумулятор в триммер.</li> <li>■ Извлеките аккумулятор, проверьте контакты и установите его снова.</li> <li>■ Зарядите аккумулятор.</li> <li>■ Нажмите кнопку блокировки и удерживайте ее, затем зажмите курковый переключатель, чтобы включить триммер.</li> </ul>   |
| Триммер с леской остановился во время работы. | <ul style="list-style-type: none"> <li>■ Щиток не установлен на триммер, в результате чего леска стала очень длинной, и двигатель перегрелся.</li> <li>■ Используется слишком толстая режущая леска.</li> <li>■ Вал двигателя и головка триммера забились травой.</li> <li>■ Двигатель перегружен.</li> <li>■ Аккумулятор или триммер перегрелись.</li> <li>■ Аккумулятор не подключен к устройству.</li> <li>■ Аккумулятор разряжен.</li> </ul> | <ul style="list-style-type: none"> <li>■ Извлеките аккумулятор и установите щиток на триммер.</li> <li>■ Используйте рекомендуемую нейлоновую режущую леску диаметром не более 2,4 мм.</li> <li>■ Выключите триммер, извлеките аккумулятор и удалите траву из вала двигателя и головки триммера.</li> <li>■ Поднимите режущую головку над травой. Двигатель начнет работать снова, как только нагрузка уменьшится. Во время скашивания перемещайте головку триммера в траву и из нее, срезая не более 20 см длины за раз.</li> <li>■ Дайте аккумулятору или триммеру остыть, пока температура не упадет ниже 67 °C.</li> <li>■ Установите аккумулятор.</li> <li>■ Зарядите аккумулятор.</li> </ul> |

RU



| ПРОБЛЕМА   | ПРИЧИНА  | РЕШЕНИЕ  |
|--|--|--|
| Из головки триммера не вытягивается леска.   | <ul style="list-style-type: none"> <li>■ Вал двигателя и головка триммера забились травой.</li> <li>■ Недостаточно лески в катушке.</li> <li>■ Головка триммера загрязнена.</li> <li>■ Леска запуталась в катушке.</li> <li>■ Леска слишком короткая.</li> </ul> | <ul style="list-style-type: none"> <li>■ Выключите триммер, извлеките аккумулятор и очистите вал двигателя и головку триммера.</li> <li>■ Извлеките аккумулятор и замените режущую леску в соответствии с инструкциями в разделе «ЗАМЕНА ЛЕСКИ» данного руководства.</li> <li>■ Извлеките аккумулятор и очистите головку триммера.</li> <li>■ Извлеките аккумулятор, извлеките леску из головки триммера и намотайте ее заново в соответствии с инструкциями в разделе «УСТАНОВКА ЛЕСКИ» данного руководства.</li> <li>■ Извлеките аккумулятор и вручную вытяните леску, нажимая и отпуская головку триммера.</li> </ul> |
| Трава наматалась на головку триммера и корпус двигателя.                           | <ul style="list-style-type: none"> <li>■ Стрижка высокой травы на уровне земли.</li> </ul>   | <ul style="list-style-type: none"> <li>■ Скашивайте высокую траву сверху вниз и срезайте не более 20 см за один раз, чтобы предотвратить подобные ситуации.</li> </ul>   |
| Трещины на головке триммера или нижней крышке привели к ослаблению верхней крышки. | <ul style="list-style-type: none"> <li>■ Головка триммера изношена.</li> </ul>   | <ul style="list-style-type: none"> <li>■ Немедленно выполните замену головки триммера при помощи квалифицированного специалиста.</li> </ul>  |

## ГАРАНТИЯ

### ГАРАНТИЙНАЯ ПОЛИТИКА EGO

Посетите веб-сайт [egopowerplus.com](http://egopowerplus.com), чтобы ознакомиться со всеми условиями и сроками гарантийной политики EGO.

## PRZECZYTAJ WSZYSTKIE INSTRUKCJE!



### PRZECZYTAJ INSTRUKCJĘ OBSŁUGI

**⚠ OSTRZEŻENIE:** Ryzyko resztkowe! Osoby z urządzeniami elektronicznymi, takimi jak rozruszniki serca, powinny przed użyciem produktu skonsultować się ze swoim(i) lekarzem/-ami. Używanie urządzeń elektrycznych blisko rozrusznika serca może spowodować zakłócenia lub uszkodzić rozrusznik.



Ostrzeżenie dotyczące bezpieczeństwa



Noś okulary ochronne – Podczas używania produktu należy zawsze nosić gogle ochronne lub okulary ochronne z osłonami bocznymi, a także pełną osłonę na twarz.



Noś ochronniki słuchu – Podczas pracy urządzeniem należy zawsze nosić ochronniki słuchu.



Noś kask ochronny – Aby chronić głowę, należy nosić atestowany kask ochronny.



Nie należy montować okrągłych tarcz tnących.



Szerokość – Maks. szerokość koszenia podkaszarką



Należy zawsze pilnować, aby inni ludzie i zwierzęta domowe pozostawali w odległości co najmniej 15 m od pracującej podkaszarki.



Gwarantowany poziom mocy akustycznej. Emisja hałasu do środowiska zgodnie z dyrektywą Wspólnoty Europejskiej.



Zużytych wyrobów elektrycznych nie należy wyrzucać razem ze zwykłymi odpadami domowymi. Należy je oddać do autoryzowanego punktu recyklingu.

$n_0$

Prędkość bez obciążenia-Prędkość obrotowa bez obciążenia



Prąd stały

## SYMBOLE BEZPIECZEŃSTWA

**⚠ OSTRZEŻENIE:** Praca elektronarzędziami może spowodować wyrzucenie ciał obcych w oczy użytkownika, co może doprowadzić do poważnych urazów oczu. Przed rozpoczęciem pracy elektronarzędziem należy zawsze założyć gogle ochronne lub okulary z osłonami bocznymi, a w stosownych przypadkach także pełną osłonę na twarz. Zalecamy nakładanie na zwykłe okulary maski zabezpieczającej o szerokim polu widzenia lub stosowanie standardowych okularów zabezpieczających z osłonami bocznymi.



Aby ograniczyć ryzyko urazów, użytkownik musi przeczytać instrukcję operatora.



Noś obuwie ochronne – Podczas używania urządzenia należy nosić obuwie ochronne z podeszwami antypoślizgowymi.



Noś rękawice ochronne – Na czas prac przy ostrzu i osłonie ostrza należy zabezpieczyć ręce rękawicami.



Uwaga na możliwość odbicia ostrza – Operatora należy ostrzec o ryzyku związanym z szarpnięciem ostrza.



Średnica – Średnica nylonowej żyłki tnącej



Przedmioty wyrzucone w powietrze mogą odbić się rykoszetem i doprowadzić do urazów lub strat materialnych. Należy zawsze pilnować, aby inni ludzie oraz zwierzęta domowe pozostawali w z dala od pracującej kosi do zarośli.



Nie należy używać w deszczu, nie zostawiać na dworze podczas deszczu.



Ten produkt jest zgodny z obowiązującymi dyrektywami WE.

V Napięcie

.../min Na minutę

kg Kilogram

## SPECYFIKACJA

|   |                              |  |
|---|------------------------------|--|
|   | Głowica podkaszarki          | Ostrze z 3 zębami                              |
| Napięcie  | 56 V $\overline{\text{---}}$ | 56 V $\overline{\text{---}}$                   |
| Zalecana temperatura użytkowania:   | 0°C-40°C                     |  |
| Zalecana temperatura przechowywania:  | -20°C-70°C                   |  |
| Optymalna temperatura ładowania   | 5°C-40°C                     |  |
| Prędkość bez obciążenia   | 5000/6000 min <sup>-1</sup>  | 5000/6000 min <sup>-1</sup>                    |
| Typ żyłki do koszenia   | 2,4mm                        | /  |
| Ostrze tnące  | /                            | ABB1203  |
| Szerokość koszenia  | 38 cm                        | 30cm   |
| Ciężar (bez akumulatora)  | 4,21Kg                       | 4,45 kg  |
| Zmierzony poziom mocy akustycznej L <sub>WA</sub>                                     | 94,6 dB(A)<br>K=1,8 dB(A)    | 96,5 dB(A)<br>K=1,88 dB(A)                     |
| Poziom ciśnienia akustycznego na wysokości ucha operatora L <sub>PA</sub>             | 81,7 dB(A)<br>K=2,5 dB(A)    | 76,5 dB(A)<br>K=3 dB(A)                        |
| Gwarantowany poziom mocy akustycznej L <sub>WA</sub> (zgodnie z dyrektywą 2000/14/WE) | 96 dB(A)                     | 98 dB(A)                                       |
| Drgania a <sub>h</sub>  | Przedni uchwyt pomocniczy    | 3,2 m/s <sup>2</sup><br>K=1,5 m/s <sup>2</sup> |
|   | Uchwyt tylny                 | 2,3 m/s <sup>2</sup><br>K=1,5 m/s <sup>2</sup> |
|   |                              | 2,8 m/s <sup>2</sup><br>K=1,6 m/s <sup>2</sup> |
|   |                              | 3,1 m/s <sup>2</sup><br>K=1,6 m/s <sup>2</sup> |

- Deklarowana całkowita wartość drgań została zmierzona zgodnie ze standardowymi metodami testowania i może służyć do porównywania różnych narzędzi.
- Deklarowana całkowita wartość drgań może również służyć do wstępnej oceny narażenia na drgania.

**UWAGA:** Emisja dźwięku podczas rzeczywistego stosowania elektronarzędzia może różnić się od deklarowanej wartości, w której narzędzie jest używane; aby się zabezpieczyć, użytkownik powinien nosić rękawice i ochronniki na uszy w rzeczywistych warunkach użytkowania.

## OPIS

### ZAPOZNANIE SIĘ Z PODKASZARKĄ (Rys. A1)

1. Pierścień progowy

2. Spust
3. Uchwyt tylny
4. Wlot powietrza
5. Przycisk odblokowujący
6. Przelącznik prędkości duża/mala
7. Zaczep na pasek naramienny
8. Regulowany przedni uchwyt pomocniczy
9. Pasek naramienny
10. Klucz wielofunkcyjny
11. Klucz imbusowy
12. Głowica podkaszarki (głowica-uderzak)
13. Żyłka tnąca
14. Zaczep odblokowujący
15. Ostrze do przycinania żyłki
16. Osłona
17. Mechanizm odłączania
18. Styki elektryczne
19. Zatrzak
20. Gumowa nakładka zabezpieczająca
21. Przycisk odblokowujący akumulator
22. Pałak zabezpieczający (tylko do głowicy kosy do zarośli)
23. Otwór blokujący na pałak zabezpieczający (tylko do głowicy kosy do zarośli)
24. Kołnierz zewnętrzny (tylko do głowicy kosy do zarośli)
25. Nakrętka (tylko do głowicy kosy do zarośli)
26. Śruby (tylko do głowicy kosy do zarośli)

## LISTA ELEMENTÓW W OPAKOWANIU

| NAZWY CZĘŚCI                       | ILOŚĆ |
|------------------------------------|-------|
| Podkaszarka                        | 1     |
| Osłona                             | 1     |
| Przedni uchwyt pomocniczy – zestaw | 1     |
| Klucz imbusowy                     | 1     |
| Klucz wielofunkcyjny               | 1     |
| Pasek naramienny                   | 1     |
| Instrukcja obsługi                 | 1     |
| Bolec blokujący                    | 1     |
| Kołnierz zewnętrzny                | 1     |
| Nakrętka                           | 1     |
| Śruba                              | 2     |

PL

## MONTAŻ

### MONTAŻ OSŁONY

1. Odkręcić i wyjąć dwie śruby z osłony (Rys. B).
2. Dopasować otwory mocujące do otworów montażowych i przykręcić osłonę na trzonku dwiema śrubami z dwiema podkładkami sprężynującymi (Rys. C).

**UWAGA:** Upewnić się, że osłona jest zamocowana zgodnie z rys. B i C, jakiegokolwiek rodzaju montaż odwrotną stroną stanowi poważne zagrożenie!

### MOCOWANIE I REGULACJA PRZEDNIEGO UCHWYTU POMOCNICZEGO

1. Poluzować bolec blokujący w przednim uchwycie pomocniczym, zdjąć go wraz z nakrętką motylkową z przedniego uchwytu pomocniczego (Rys. D).

**UWAGA:** Zainstalować pałąk zabezpieczający na uchwyt dwiema śrubami, gdy narzędzie jest wyposażone w głowicę do koszenia zarośli.

**UWAGA:** Są dwa rodzaje bolców blokujących, krótszy jest przeznaczony do głowicy tnącej. Dłuższy bolec jest przeznaczony do używania razem z głowicą do koszenia zarośli. Podczas używania narzędzia należy uważać przy wyborze prawidłowego bolca blokującego.

|     |                           |     |  |
|-----|---------------------------|-----|--|
| D-1 | Przedni uchwyt pomocniczy | D-4 | Pałąk zabezpieczający (tylko do głowicy do koszenia zarośli) |
| D-2 | Blok zaciskowy            | D-5 | Bolec blokujący  |
| D-3 | Nakrętka motylkowa        |     |  |

2. Wcisnąć przedni uchwyt na trzonek z przodu pierścienia progowego. Nigdy nie należy wkładać go między pierścieni progowy a okolice tyłu uchwytu (rys. E).
3. Włożyć blok zaciskowy w szczelinę uchwytu (Rys. F).
4. Zamontować bolec blokujący i wstępnie dokręcić go nakrętką motylkową. Dopolnować, aby przedni uchwyt pomocniczy był skierowany do góry i w stronę górnej części uchwytu tylnego (Rys. G).
5. Wyregulować przedni uchwyt pomocniczy między pierścieniem progowym a etykietą w taki sposób, aby przednie ramię użytkownika było podczas pracy wyprostowane (Rys. H).
6. Zablokować dźwignię bolca blokującego. (Rys. I).

**⚠ OSTRZEŻENIE:** Narzędzia nie można używać bez prawidłowo zamocowanego przedniego uchwytu pomocniczego.

### MONTAŻ PASKA NARAMIENNEGO

Należy wcisnąć zaczep na pasek, aby go otworzyć i zaczepić go na wieszaku mocującym paska naramiennego (Rys. J).

## UŻYTKOWANIE

**⚠ OSTRZEŻENIE:** Należy zawsze nosić gogle ochronne lub okulary ochronne z osłonami bocznymi, a także ochronniki słuchu. Nieprzestrzeganie tego zalecenia może doprowadzić do poważnych obrażeń oczu odłamkiem lub skrawkiem materiału wyrzuconym przez pracujące narzędzie, a także grozi innymi możliwymi urazami.

Urządzenia można używać wyłącznie do celów podanych poniżej:

**Podkaszanie:** usuwanie trawy i chwastów przy ścianach, płotach, drzewach i na brzegach.

**Koszenie:** koszenie trawy w miejscach trudno dostępnych dla zwykłej kosiarki.

**UWAGA:** Narzędzia należy używać tylko do celów zgodnych z przeznaczeniem. Wszelkie inne zastosowania, np. przycinanie krawędzi, uznaje się za niezgodne z przeznaczeniem.

### ZAKŁADANIE/WYJMOWANIE AKUMULATORA

W urządzeniu należy używać wyłącznie akumulatorów i ładowarek podanych na rys. A2.

### Całkowicie naładować przed pierwszym użyciem

#### Zakładanie

Należy dopasować żeberka akumulatora do szczelin mocujących i wsunąć akumulator do ładowarki aż da się słyszeć kliknięcie (Rys. K).

#### Wyjmowanie

Wcisnąć przycisk wyjmowania akumulatora i wysunąć akumulator tak jak na Rys. L.

|     |                                     |
|-----|-------------------------------------|
| L-1 | Przycisk odblokowywania akumulatora |
|-----|-------------------------------------|

### TRZYMANIE PODKASZARKI

Aby bezpieczniej i lepiej pracować narzędziem, należy przełożyć przez ramię pasek na ramię, tak jak na Rys. N. Pasek należy wyregulować w taki sposób, aby zagwarantować wygodną pozycję pracy. Narzędzie należy trzymać obydwiema rękoma: jedną ręką na uchwycie tylnym, a drugą na przednim uchwycie pomocniczym.

**UWAGA:** Głowica podkaszarki jest ustawiona równoległe do ziemi i na odpowiedniej wysokości cięcia, tak że operator nie musi się nachylać (Rys. N).

Pasek można rozpiąć na dwa sposoby. Można go bezpośrednio zdjąć z ramienia (Rys. O) lub można nacisnąć zaczep na pasku i zdjąć go z mocowania paska naramiennego na trzonku (Rys. P).

**⚠ OSTRZEŻENIE:** Pasek naramienny jest także mechanizmem szybkiego odłączenia w niebezpiecznych sytuacjach. W sytuacji awaryjnej należy go natychmiast zdjąć z ramienia, niezależnie od sposobu założenia paska.

## WŁĄCZANIE/WYŁĄCZANIE PODKASZARKI (Rys. M)

### Włączanie

Należy wcisnąć dźwignię odblokowującą, a następnie nacisnąć spust. Zmiana siły nacisku na spust powoduje zmianę prędkości obrotów żyłki tnącej. Im silniej naciskany jest spust, tym większa prędkość.

### Wyłączanie

Puścić przycisk spustowy.

**UWAGA:** Silnik będzie pracował tylko pod warunkiem wciśnięcia zarówno przycisku odblokowującego jak i spustu.

### Funkcja regulacji prędkości (Rys. M)

Podkaszarka ma dwa ustawienia prędkości. Pozycja „1” oznacza małą prędkość, pozycja „2” – dużą prędkość.

|     |                                 |
|-----|---------------------------------|
| M-1 | Przełącznik prędkości duża/mala |
| M-2 | Przycisk odblokowujący          |
| M-3 | Spust                           |

## UŻYWANIE PODKASZARKI

Przed każdym użyciem narzędzia należy uprzątnąć teren pracy. Usunąć wszystkie przedmioty takie jak kamienie, pośluzzone szkło, gwoździe, kawałki drutu lub sznurka itp., które mogą zostać wyrzucone w powietrze lub mogą zaplątać się w końcówkę tnącą. Z terenu, który ma zostać skoszony wyprosić dzieci i osoby postronne oraz wygonić zwierzęta. Jako minimum dzieci i osoby postronne oraz zwierzęta muszą znajdować się w odległości 15 m, jednak taka odległość nadal nie eliminuje całkowicie ryzyka trafienia wyrzucenymi w powietrze przedmiotami. Osoby postronne należy zachęcać do noszenia okularów ochronnych. Jeśli do użytkownika zbliży się jakaś osoba, należy natychmiast wyłączyć silnik i zatrzymać końcówkę tnącą.

### Przed każdym użyciem należy sprawdzić, czy jakies części nie są uszkodzone lub zużyte.

Należy skontrolować głowicę-uderzak, osłonę i przedni uchwyt pomocniczy oraz wymienić części pęknięte, wypaczone, skrzywione lub uszkodzone w jakikolwiek sposób.

Ostrze do żyłki tnącej na krawędzi osłony może się z czasem stępić. Zaleca się je okresowo ostrzyć pilnikiem lub wymieniać na nowe.

Po każdym użyciu należy wyczyścić podkaszarkę.

## REGULACJA DŁUGOŚCI ŻYŁKI TNĄCEJ

Głowica-uderzak pozwala operatorowi wysuwać więcej żyłki tnącej bez wyłączania silnika. W miarę jak żyłka strzępi się i zużywa, dodatkową żyłkę można wysunąć lekkim uderzeniem głowicą podkaszarki w ziemię w czasie, gdy podkaszarka pracuje (Rys. Q).

**UWAGA:** Im krótsza żyłka, tym trudniejsze staje się jej wysuwanie.

**⚠ OSTRZEŻENIE:** Nie należy demontować lub przerabiać ostrza do żyłki. Zbyt długa żyłka prowadzi do przegrzewania się silnika i może spowodować poważne urazy ciała.

## WYMIANA ŻYŁKI

**UWAGA:** Należy zawsze używać zalecanej nylonowej żyłki tnącej o średnicy nie większej niż 2,4 mm. Używanie żyłki innego typu może prowadzić do przegrzewania się podkaszarki i spowodować jej uszkodzenie.

**⚠ OSTRZEŻENIE:** Nigdy nie należy używać żyłek wzmocnionych metalem, drutów, sznurków itp. Mogą się one ułamać i zmienić w niebezpieczne pociski.

1. Wyjąć akumulator.
2. Jeśli jest to konieczne, wyjąć pozostałą żyłkę tnącą.
3. Odciąć 4 m żyłki tnącej. Włożyć żyłkę do otworu mocującego w środku przelotki (Rys. R). Wcisnąć żyłkę i wyciągnąć ją z drugiej strony, tak aby po obu stronach szpulki znajdowało się tyle samo żyłki.
4. Obracać osłonę dolną w kierunku zaznaczonym strzałką i nacisnąć ją, aby nawinać żyłkę na szpulę tak, aby po obu stronach widać było około 14 cm żyłki (Rys. S).
5. Nacisnąć osłonę mocującą szpuli w dół i jednocześnie pociągnąć żyłki, aby je ręcznie wysunąć, sprawdzić prawidłowe złożenie głowicy podkaszarki.

Gdy żyłka tnąca urwie się na wylocie żyłki lub gdy żyłka tnąca nie wysuwa się z głowicy podkaszarki pod wpływem uderzenia głowicą o ziemię, należy wówczas wykonać następujące kroki:

1. Wcisnąć zaczepy odblokowujące w osłonie dolnej i zdjąć osłonę (Rys. T i U).
2. Wyjąć żyłkę tnącą ze szpuli.
3. Jedną ręką przytrzymać osłonę dolną, a drugą chwycić osłonę dolną i dopasować zaczepy w osłonie górnej do otworów w osłonie dolnej (Rys. V). Środkiem dłoni docisnąć osłonę dolną, aż zaczepy zablokują się w osłonie górnej.

4. Wykonać instrukcje podane w części „WYMIANA ŻYŁKI”, aby ponownie założyć żyłkę tnącą.

## WYMIANA OSTRZA Z 3 ZĘBAMI

1. Zdjąć osłonę dolną, tak jak na Rys. T i U.
2. Włożyć stabilizator, a potem kluczem udarowym odkręcić nakrętkę, tak jak na Rys. X1 i X2.
3. Zdemontować wszystkie części z wyjątkiem kołnierza wewnętrznego i nakrętki (Rys. X3), zamontować ostrze na wałek silnika, tak jak na Rys. X4.
4. Dokręcić ostrze tak jak na Rys. X5.

## KONSERWACJA

**⚠ OSTRZEŻENIE:** Podczas serwisowania należy używać wyłącznie części zamiennych identycznych z oryginalnymi. Narzędzie należy regularnie kontrolować i konserwować. Aby zagwarantować bezpieczeństwo i niezawodność, wszystkie naprawy powinny być wykonywane przez wykwalifikowanych techników serwisu.

PL

**⚠ OSTRZEŻENIE:** Aby uniknąć poważnych obrażeń ciała, przed serwisowaniem, czyszczeniem, wymianą osprzętu dodatkowego i należy zawsze wyjmować z narzędzia akumulator.

**⚠ OSTROŻNIE:** Zanieczyszczenia w otworach wentylacyjnych uniemożliwiają dopływ powietrza do obudowy silnika i w efekcie prowadzą do przegrzania się i uszkodzenia silnika.

## CZYSZCZENIE URZĄDZENIA

- Wyrób należy czyścić wilgotną ściereczką i łagodnym detergentem. Do środka urządzenia nie mogą się dostać żadne płyny, nie wolno też zanurzać części urządzenia w jakiegokolwiek cieczy.
- Do czyszczenia części plastikowych lub uchwytu nie należy używać jakichkolwiek silnych detergentów. Mogą one zostać uszkodzone przez niektóre olejki aromatyczne, takie jak olejek sosnowy i cytrynowy oraz przez rozpuszczalniki takie jak nafta. Wilgoć może także spowodować porażenie prądem. Wszelką wilgoć należy wycierać miękką suchą ściereczką.
- Do czyszczenia otworów wentylacyjnych w tylnej części obudowy należy używać małej szczoteczki lub małego odkurzacza.
- Otwory wentylacyjne w obudowie silnika nie mogą być nigdy zabrudzone.

## SMAROWANIE PRZEKŁADNI TRANSMISYJNEJ

Przekładnia transmisyjna wymaga okresowego smarow-

ania smarem do przekładni. Co 50 godzin pracy, należy kontrolować stan smaru w obudowie przekładni: w tym celu należy zdjąć śrubę uszczelniającą z boku obudowy.

Jeśli po bokach przekładni nie widać w ogół smaru, należy wykonać kroki podane poniżej w celu napełnienia obudowy smarem do 3/4 pojemności. Przekładni transmisyjnej nie należy całkowicie napełniać.

1. Położyć podkaszarkę na boku tak, aby śruba uszczelniająca była skierowana do góry (Rys. W).
2. Kluczem wielofunkcyjnym odkręcić i zdjąć śrubę uszczelniającą.
3. Użyć strzykawki olejowej (do dokupienia osobno), aby wstrzyknąć odrobinę smaru w otwór na śrubę; nie przekraczać 3/4 pojemności.
4. Po wstrzyknięciu smaru dokręcić śrubę uszczelniającą.

## PRZECHOWYWANIE URZĄDZENIA

- Gdy podkaszarka nie będzie używana, należy wyjąć z niej akumulator.
- Przed schowaniem dokładnie wyczyścić narzędzie.
- Urządzenie należy przechowywać w suchym i przewiewnym miejscu niedostępnym dla dzieci: albo pod kluczem, albo wystarczająco wysoko. Urządzenia nie należy przechowywać na nawozach lub w ich pobliżu, to samo dotyczy podłoża zanieczyszczonych benzyną i substancjami chemicznymi.

## Ochrona środowiska



Urządzeń elektrycznych, zużytych akumulatorów i ładowarki nie należy wyrzucać do zwykłych zmieszanych śmieci domowych! Produkt należy oddać do zbiórki selektywnej w autoryzowanym punkcie recyklingu. Narzędzia elektryczne należy oddawać do zakładów recyklingu przyjaznych dla środowiska.

## ROZWIĄZYWANIE PROBLEMÓW

| PROBLEM                                   | PRZYCZYNA  | ROZWIĄZANIE  |
|---|--|--|
| Podkaszarka nie włącza się.               | <ul style="list-style-type: none"> <li>■ Do podkaszarki nie włożono akumulatora.</li> <li>■ Podkaszarka i akumulator nie kontaktują.</li> <li>■ Akumulator jest rozładowany.</li> <li>■ Przycisk odblokowujący i przełącznik spustowy nie zostały wciśnięte jednocześnie.</li> </ul>   | <ul style="list-style-type: none"> <li>■ Włożyć akumulator do podkaszarki.</li> <li>■ Wyjąć akumulator, sprawdzić styki i założyć akumulator z powrotem.</li> <li>■ Naładować akumulator.</li> <li>■ Aby włączyć podkaszarkę, należy wcisnąć i przytrzymać przycisk odblokowujący, a następnie nacisnąć przełącznik spustowy.</li> </ul>   |
| Podkaszarka wyłącza się podczas koszenia. | <ul style="list-style-type: none"> <li>■ Na podkaszarce nie ma zamontowanej osłony, przez co żyłka jest za długa i dochodzi do przecięcia silnika.</li> <li>■ Używana jest ciężka żyłka.</li> <li>■ Walek silnika lub głowica podkaszarki są zapchane trawą.</li> <li>■ Silnik jest przeciążony.</li> <li>■ Akumulator lub podkaszarka są zbyt gorące.</li> <li>■ Akumulator jest odłączony od narzędzia.</li> <li>■ Akumulator jest rozładowany.</li> </ul> | <ul style="list-style-type: none"> <li>■ Wyjąć akumulator i zamocować osłonę w podkaszarce.</li> <li>■ Używać zalecanej nylonowej żyłki tnącej o średnicy nie większej niż 2,4 mm.</li> <li>■ Zatrzymać podkaszarkę, wyjąć akumulator i usunąć trawę z walka silnika i głowicy podkaszarki.</li> <li>■ Wyjąć głowicę podkaszarki z trawy. Gdy tylko obciążenie zostanie usunięte, silnik wznowi pracę. Podczas koszenia przesuwaj głowicę podkaszarki w koszoną trawę i wysuwaj ją z niej, nie więcej niż o 20 cm długości w jednym cięciu.</li> <li>■ Pozwolić, aby akumulator lub podkaszarka ostygły do temperatury poniżej 67°C.</li> <li>■ Ponownie założyć akumulator.</li> <li>■ Naładować akumulator.</li> </ul> |

PL

| PROBLEM   | PRZYCZYNA  | ROZWIĄZANIE  |
|---|--|--|
| Głowica podkaszarki nie wysuwa żyłki.   | <ul style="list-style-type: none"> <li>■ Walek silnika lub głowica podkaszarki są zapchane trawą.</li> <li>■ W szpuli jest za mało żyłki.</li> <li>■ Głowica podkaszarki jest zabrudzona.</li> <li>■ Żyłka zaplątała się w szpuli.</li> <li>■ Żyłka jest za krótka.</li> </ul> | <ul style="list-style-type: none"> <li>■ Zatrzymać podkaszarkę, wyjąć akumulator i wyczyścić walek silnika i głowicę podkaszarki.</li> <li>■ Wyjąć akumulator i wymienić żyłkę tnącą; patrz część „WYMIANA ŻYŁKI” w niniejszej instrukcji.</li> <li>■ Wyjąć akumulator i wyczyścić głowicę podkaszarki.</li> <li>■ Wyjąć akumulator, wyjąć żyłkę z głowicy podkaszarki i przewinąć; patrz część „PONOWNE ZAKŁADANIE ŻYŁKI TNACEJ” w niniejszej instrukcji</li> <li>■ Wyjąć akumulator i ręcznie pociągnąć żyłki, jednocześnie na przemian wciskać i puszczać głowicę podkaszarki.</li> </ul> |
| Trawa owija się wokół głowicy podkaszarki i obudowy silnika.                    | <ul style="list-style-type: none"> <li>■ Koszenie wysokiej trawy tuż przy ziemi.</li> </ul>  | <ul style="list-style-type: none"> <li>■ Wysoką trawę kosić od góry ku dołowi, za jednym razem skracać źdźbła nie więcej niż o 20 cm, aby nie dopuścić do owijania się trawy wokół głowicy.</li> </ul>   |
| Pęknięcia na głowicy podkaszarki lub osłona dolna odzepia się od osłony górnej. | <ul style="list-style-type: none"> <li>■ Głowica podkaszarki jest zużyta.</li> </ul>   | <ul style="list-style-type: none"> <li>■ Natychmiast wymienić głowicę podkaszarki. Czynność tę powinien wykonać wykwalifikowany technik serwisu.</li> </ul>  |

PL

## GWARANCJA

### POLITYKA GWARANCYJNA EGO

W celu zapoznania się z wszystkimi warunkami polityki gwarancyjnej EGO prosimy odwiedzić stronę [egopowerplus.com](http://egopowerplus.com).



## PŘEČTĚTE SI VŠECHNY POKYNY!



### PŘEČTĚTE SI NÁVOD K OBSLUZE

**VAROVÁNÍ:** Zbytkové riziko! Lidé s elektronickými přístroji, jako jsou např. kardiostimulátory, by se měli před použitím toho výrobku poradit se svým lékařem. Použití elektrického zařízení v těsné blízkosti kardiostimulátoru může způsobit narušení činnosti nebo poruchu kardiostimulátoru.



Bezpečnostní upozornění



Používejte ochranu očí výrobku vždy noste ochranné brýle, ochranné brýle s bočními kryty nebo obličejový štít.



Používejte ochranu sluchu. výrobkem vždy používejte chrániče sluchu.



Používejte ochranu hlavy. K ochraně hlavy používejte schválenou pevnou ochrannou přilbu.



Neinstalujte kulaté řezací čepele.



Max. šířka sekání strunové sekačky



Když strunovou sekačku používáte, udržujte od ostatních osob a domácích zvířat bezpečnou vzdálenost aspoň 15 m.



Garantovaná hladina akustického výkonu. Emise hluku do prostředí dle direktivy Evropského společenství.



Odpadní elektrické výrobky se nesmí likvidovat s domovním odpadem. Odevzdejte do autorizovaného recyklačního střediska.

$n_0$

Rychlost při chodu naprázdno-Otáčky při chodu naprázdno



Stejnoseměrný proud

## BEZPEČNOSTNÍ SYMBOLY

**VAROVÁNÍ:** Při použití elektrického nářadí může dojít k vymrštění cizích těles do očí, což může způsobit jejich závažné poškození. Před použitím elektrického nářadí si vždy nasadte ochranné brýle, ochranné brýle s bočními kryty nebo v případě potřeby obličejový štít. Na brýle nebo standardní ochranné brýle s bočními kryty doporučujeme použít ochrannou masku.



Z důvodu snížení rizika úrazu si musí uživatel přečíst návod k obsluze.



Používejte ochrannou obuv. Při použití tohoto výrobku noste protiskluzovou bezpečnostní obuv.



Používejte ochranné rukavice. Chraňte své ruce rukavicemi při manipulaci s čepeli nebo chráničem čepele.



Dejte si pozor na zpětný ráz. Upozorněte obsluhu na nebezpečí zpětného rázu.



Průměr nylonové žací struny



Vymrštěné objekty se mohou odrazit a mít za následek zranění osob nebo poškození majetku. Když křovinořez používáte, udržujte od ostatních osob a domácích zvířat bezpečnou vzdálenost.



Nepoužívejte ani nenechávejte venku na dešti.



Tento výrobek je v souladu s platnými směrnici ES.

V Napětí

.../min Za minutu

kg Kilogram

CZ

## TECHNICKÉ ÚDAJE

|  |                                |  |
|--|--------------------------------|--|
|  | Hlava sekačky (strunová hlava) | 3-zubá čepel                                   |
| Napětí   | 56 V                           | 56 V   |
| Doporučená provozní teplota  | 0°C-40°C                       |  |
| Doporučená skladovací teplota  | -20°C-70°C                     |  |
| Optimální teplota nabíjení   | 5°C-40°C                       |  |
| Rychlost při chodu naprázdno   | 5000/6000 min <sup>-1</sup>    | 5000/6000 min <sup>-1</sup>                    |
| Typ žací struny  | 2,4mm                          | /  |
| Střížná lišta  | /                              | ABB1203  |
| Šířka sekání   | 38 cm                          | 30cm   |
| Hmotnost (bez akumulátoru)   | 4,21Kg                         | 4,45 kg  |
| Měřená hladina akustického výkonu L <sub>WA</sub>                              | 94,6 dB(A)<br>K=1,8 dB(A)      | 96,5 dB(A)<br>K=1,88 dB(A)                     |
| Hladina akustického tlaku na sluch obsluhy L <sub>PA</sub>                     | 81,7 dB(A)<br>K=2,5 dB(A)      | 76,5 dB(A)<br>K=3 dB(A)                        |
| Zaručená úroveň akustického výkonu L <sub>WA</sub> (podle směrnice 2000/14/ES) | 96 dB(A)                       | 98 dB(A)                                       |
| Vibrace a <sub>h</sub>   | Přední pomocná rukojeť         | 3,2 m/s <sup>2</sup><br>K=1,5 m/s <sup>2</sup> |
|  | Zadní rukojeť                  | 2,3 m/s <sup>2</sup><br>K=1,5 m/s <sup>2</sup> |
|  |                                | 2,8 m/s <sup>2</sup><br>K=1,6 m/s <sup>2</sup> |

- Celková deklarovaná hodnota vibrací byla naměřena podle standardní zkušební metody a lze ji použít ke srovnání s jiným nářadím;
- Celkovou deklarovanou hodnotu vibrací lze použít také k předběžnému stanovení expozičních limitů.

**POZNÁMKA:** Emise vibrací při konkrétním použití elektrického nářadí se mohou lišit od deklarované hodnoty, při které se nářadí používá; z důvodu ochrany provozovatele by měl uživatel ve skutečných pracovních podmínkách nosit rukavice a chrániče sluchu.

## POPIS

**SEZNAMTE SE S NAŠÍ STRUNOVOU SEKAČKOU (obr. A1)**

1. Prahový kroužek
2. Spouštěč
3. Zadní rukojeť
4. Přívod vzduchu
5. Blokovací tlačítko
6. Přepínač vysoké/nízké rychlosti
7. Poutko ramenního popruhu
8. Stavitelná přední pomocná rukojeť
9. Ramenní popruh
10. Multifunkční klíč
11. Imbusový klíč
12. Strunová hlava (Bump Head)
13. Žací struna
14. Uvolňovací západka
15. Ořezávací čepel pro strunu
16. Kryt
17. Vysunovací mechanismus
18. Elektrické kontakty
19. Západka
20. Ochranní gumová podložka
21. Tlačítko pro uvolnění akumulátoru
22. Bezpečnostní zábránová tyč (pouze pro hlavu křovinořezu)
23. Zajišťovací tyčka pro bezpečnostní zábránovou tyč (pouze pro hlavu křovinořezu)
24. Vnější příruba (pouze pro hlavu křovinořezu)
25. Matice (pouze pro hlavu křovinořezu)
26. Šrouby (pouze pro hlavu křovinořezu)

## OBSAH BALENÍ

| NÁZEV DÍLU                      | NÁZEV DÍLU |
|---------------------------------|------------|
| Strunová sekačka                | 1          |
| Kryt                            | 1          |
| Sestava přední pomocné rukojeti | 1          |
| Imbusový klíč                   | 1          |
| Multifunkční klíč               | 1          |
| Ramenní popruh                  | 1          |
| Návod k obsluze                 | 1          |
| Zajišťovací tyčka               | 1          |
| Vnější příruba                  | 1          |
| Matice                          | 1          |

|       |   |
|-------|---|
| Šroub | 2 |
|-------|---|

Stlačte háček popruhu pro otevření a připojte ho na poutko ramenního popruhu (obr. J).

## MONTÁŽ

### MONTÁŽ CHRÁNIČE

1. Povolte a vyjměte čtyři šrouby z krytu (obr. B).
2. Srovnajte upevňovací otvory krytu s montážními otvory a pomocí dvou šroubů se dvěma pružnými podložkami upevněte kryt ke spodní části hřídele (obr. C).

**POZNÁMKA:** Zkontrolujte, zda je kryt upevněn podle obr. B a C, obrácené upevnění představuje vysoké riziko!

### MONTÁŽ A NASTAVENÍ PŘEDNÍ POMOCNÉ RUKOJETI

1. Uvolněte zajišťovací tyčku v přední pomocné rukojeti z přední pomocné rukojeti vyjměte zajišťovací tyčku a křídlovou matici (obr. D).

**POZNÁMKA:** Namontujte sestavu zábránové tyče na obloukovou rukojeť pomocí dvou šroubů, pokud je nástroj vybaven hlavou křovinořezu.

**POZNÁMKA:** K dispozici jsou dva druhy zajišťovacích tyček. Kratší je pro hlavu sekačky. Delší je pro hlavu křovinořezu. Pro práci s nástrojem si vhodně zvolte správnou zajišťovací tyčku.

|     |                        |     |  |
|-----|------------------------|-----|--|
| D-1 | Přední pomocná rukojeť | D-4 | Bezpečnostní zábránová tyč (pouze pro hlavu křovinořezu) |
| D-2 | Upínací blok           | D-5 | Zajišťovací tyčka  |
| D-3 | Křídlová matice        |     |  |

2. Nasuňte obloukovou rukojeť na hřídel na přední stranu prahového kroužku. Nikdy ji nedávejte mezi prahový kroužek a zadní část rukojeti (obr. E).
3. Vložte upínací blok do slotu rukojeti (obr. F).
4. Namontujte zajišťovací tyčku a přitáhněte křídlovou matici. Ujistěte se, že přední pomocná rukojeť je vzhůru a směřuje k horní části zadní rukojeti (obr. G).
5. Upravte přední pomocnou rukojeť mezi prahový kroužek a štítek tak, aby přední rameno bylo při používání rovné (obr. H).
6. Zajistěte páčku zajišťovací tyčky. (obr. I).

**VAROVÁNÍ:** Nářadí nelze používat bez bezpečně upevněné přední pomocné rukojeti.

### PŘIPEVNĚNÍ RAMENNÍHO POPRUHU

## POUŽITÍ

**VAROVÁNÍ:** Vždy používejte ochranné brýle nebo bezpečnostní brýle s bočním štítem spolu s ochranou sluchu. V opačném případě může dojít k vymrštění předmětu do očí, nebo případně jiným vážným úrazům.

Výrobek lze použít k následujícím účelům:

**Zarovnávaní:** slouží k odstranění trávy a plevele u zdí, plotů, stromů a obrubníků.

**Sekání:** slouží k sekání trávy, která je pro běžnou sekačku obtížně dostupná.

**POZNÁMKA:** Nářadí se smí používat pouze k vyhrazenému účelu. Jakékoliv jiné použití, např. vysekávání rohů, se považuje za nesprávné.

### INSTALACE/VYJMUTÍ AKUMULÁTORU

Používejte pouze akumulátory a nabíječky uvedené na obr. A2.

**Před prvním použitím plně nabijte akumulátor.**

### Instalace

Srovnajte žebrování akumulátoru s instalačními drážkami a zatlačte na akumulátor, dokud neuslyšíte „cvaknutí“ (obr. K).

### Vyjmutí

Stiskněte tlačítko pro uvolnění akumulátoru a vytáhněte jej, jak je to znázorněno na obr. L.

|     |                                   |
|-----|-----------------------------------|
| L-1 | Tlačítko pro uvolnění akumulátoru |
|-----|-----------------------------------|

### JAK DRŽET STRUNOVOU SEKAČKU

Pro bezpečnější a lepší provoz si dejte ramenní popruh přes rameno, obr. N. Nastavte ramenní popruh do pohodlné provozní polohy. Držte strunovou sekačku oběma rukama: Jednu ruku na zadní rukojeti a druhou ruku na přední pomocné rukojeti.

**POZNÁMKA:** Strunová hlava je rovnoběžná se zemí ve správné žací vzdálenosti, aniž by se musela obsluha překlonit (obr. N).

Existují dva způsoby, jak uvolnit popruh: Sundějte ho z ramene přímo (obr. O), nebo stiskněte háček popruhu a uvolněte ho z poutka ramenního popruhu upevněného na hřídeli (obr. P).

**VAROVÁNÍ:** Ramenní popruh je vybaven rychloulňovací mechanismem pro nebezpečné situace.

GZ

Dojde-li k nouzové situaci, okamžitě si odepněte popruh z ramene bez ohledu na to, jakým způsobem je popruh připnutý.

## SPUŠTĚNÍ/VYPNUTÍ STRUNOVÉ SEKAČKY (obr. M)

### Spuštění

Stlačte páčku pojistky a stiskněte spoušť. Různá intenzita stisku spouště vede k proměnlivým otáčkám žací struny. Vyšší intenzita, vyšší rychlost.

### Zastavení

Uvolněte spouštěč.

**POZNÁMKA:** Motor se spustí, pouze když jsou tlačítka pojistky a spoušť stisknuta současně.

### Funkce nastavení rychlosti (Obr. M)

Strunová sekačka má dvě rychlosti. Poloha „1“ je určena pro nízké rychlosti, zatímco poloha „2“ pro vysoké rychlosti.

|     |                                 |
|-----|---------------------------------|
| M-1 | Přepínač vysoké/nízké rychlosti |
| M-2 | Blokovací tlačítko              |
| M-3 | Spouštěč                        |

CZ

## POUŽITÍ STRUNOVÉ SEKAČKY

Před každým použitím vyčistěte prostor, kde budete sekat. Odstraňte veškeré předměty, jako jsou např. kameny, rozbité sklo, hřebíky, dráty nebo provazy, které mohou být vrženy, nebo se mohou do žacího nástavce zaplést. Z prostoru vyžeňte děti, ostatní osoby a domácí zvířata. Minimální bezpečná vzdálenost pro děti, ostatní osoby a domácí zvířata je 15 m; stále však hrozí riziko zasažení ostatních osob vymrštěnými předměty. Ostatním osobám doporučíte použití ochrany očí. Pokud se k vám někdo blíží, okamžitě vypněte motor a žací příslušenství.

### Před každým použitím zkontrolujte poškozené/opotřebené díly

Zkontrolujte strunovou hlavu, kryt, přední pomocnou rukojet' a vyměňte díly, které jsou prasklé, zdeformované, ohnuté nebo jinak poškozené.

Ořezávací čepel pro strunu na okraji chrániče se může v průběhu času otupit. Doporučujeme ji pravidelně brousit pilníkem, nebo vyměnit za novou.

### Po každém použití sekačku vyčistěte.

### NASTAVENÍ DÉLKY ŽACÍ STRUNY

Strunová hlava umožňuje obsluhu více vysunout žací strunu bez zastavení motoru. Když se struna roztřepí nebo rozedře, lze během práce se sekačkou vysunout další část struny lehkým poklepáním hlavy sekačky o zem (Obr. Q).

**POZNÁMKA:** Vysouvání struny se stává se zkracováním žací struny obtížnějším.

**VAROVÁNÍ:** Nevyměňte ani neupravujte sestavu vyžínacího kotouče. Nadměrná délka struny způsobí přehřátí motoru, což může vést k vážnému úrazu.

### VÝMĚNA STRUNY

**POZNÁMKA:** Vždy používejte doporučenou nylonovou žací strunu o průměru nepřesahujícím 2,4 mm. Použitím jiné než specifikované struny může dojít k přehřátí nebo poškození strunové sekačky.

**VAROVÁNÍ:** Nikdy nepoužívejte kovem vyztužené struny, dráty, šňůry atd. Mohou se odlomit a stát se nebezpečnými projektily.

1. Vyměňte akumulátor.
2. Odstraňte zbývající strunu, pokud je to nutné.
3. Ustříhnete strunu v délce 4 m a vložíte ji do otvoru uvnitř očka (obr. R). Zatlačte a vytáhněte strunu z druhé strany, dokud se na obou stranách cívký neobjeví stejná délka struny.
4. Při otáčení sestavy spodního krytu ve směru šipky stiskněte, aby se navinula struna na cívký, dokud na každé straně nezůstane přibližně 14 cm struny (Obr. S).
5. Zatlačte sestavu spodního krytu dolů a zároveň tahejte za struny, abyste je ručně vysunuli a zkontrolovali správnou montáž strunové hlavy.

Když se žací struna utrhne ve výstupu struny nebo není žací struna uvolněna, když ťuknete na strunovou hlavu, postupujte podle následujících kroků:

1. Stiskněte uvolňovací západky na horním krytu a vytáhněte sestavu spodního krytu tahem směrem ven (Obr. T a U).
2. Vytáhněte strunu z cívký.
3. Jednou rukou přidrže sestavu spodního krytu a zarovnejte západky na horním krytu s otvory v sestavě spodního krytu (obr. V); dlaní zatlačte na sestavu spodního krytu, dokud západky nezapadnou do horního krytu.
4. Pro natažení nové struny postupujte podle pokynů v části „VÝMĚNA STRUNY“.

### VÝMĚNA 3-ZUBÉ ČEPELE

1. Demontujte sestavu spodního krytu podle obr. T a U
2. Vložte stabilizátor a pomocí nástrčného rázového klíče uvolněte matici podle obr. X1 a X2.
3. Demontujte všechny části kromě vnitřní příruby a

matice (obr. X3), namontujte čepel na hřídel motoru podle obr. X4.

- Dotáhněte šrouby podle obr. X5.

## ÚDRŽBA

**VAROVÁNÍ:** Při opravách používejte pouze originální náhradní díly. Pravidelně stroj kontrolujte a udržujte. Z důvodu bezpečnosti by měl všechny opravy provádět kvalifikovaný servisní technik.

**VAROVÁNÍ:** Aby nedošlo k vážnému úrazu, akumulátor před servisem, čištěním, výměnou nástavců nebo odstraněním materiálu nářadí vyjměte.

**UPOZORNĚNÍ:** Překážky ve větracích otvorech zabrání proudění vzduchu do krytu motoru, což povede k přehřátí nebo poškození motoru.

## ČIŠTĚNÍ NÁŘADÍ

- Nářadí čistěte vlhkým hadrem s neagresivním čistícím prostředkem. Dbejte, aby do nářadí nepronikla žádná kapalina; žádný díl tohoto nářadí nikdy neponořujte do kapaliny.
- Na plastový kryt nebo rukojeť nepoužívejte žádné silné čistící prostředky. Mohou být poškozeny některými aromatickými oleji, jako např. borovicovým nebo citronovým, a rozpouštědly, jako např. petrolej. Vlhkost může rovněž způsobit riziko úrazu elektrickým proudem. Veškerou vlhkost setřete suchým měkkým hadrem.
- K čištění větracích otvorů od nečistot na zadní části krytu použijte malý kartáč nebo proud vzduchu z malého vysavače.
- Udržujte větrací otvory krytu motoru vždy v čistotě.

## MAZÁNÍ PŘEVODOVKY

Převody v převodové skříně se musí pravidelně mazat převodovým tukem. Zkontrolujte hladinu převodového maziva v převodovce přibližně každých 50 hodin provozu demontováním těsnícího šroubu na boku skříně.

Pokud není na bocích převodovky vidět žádný tuk, postupujte podle pokynů pro naplnění převodovým mazivem až do 3/4 kapacity. Převody zcela nezaplněte.

- Přidržte strunovou sekačku na boku, aby těsnící šroub směřoval nahoru (obr. Y).
- Pomocí dodaného multifunkčního klíče povolte a odstraňte těsnící šroub.
- Použijte mazací stříkačku (není součástí dodávky) pro zavedení maziva do otvoru pro šroub; nepřekročte 3/4 kapacity.

- Po naplnění utáhněte těsnící šroub.

## SKLADOVÁNÍ NÁŘADÍ

- Pokud strunovou sekačku nepoužíváte, vyjměte z ní akumulátor.
- Nářadí před uskladněním řádně vyčistěte.
- Nářadí skladujte na suchém, dobře větraném, uzamčeném nebo vyvýšeném místě mimo dosah dětí. Nářadí neskladujte v blízkosti hnojiv, benzínu nebo jiných chemických látek.

## Ochrana životního prostředí



Elektrické zařízení, nabíječku a baterie / nabíjecí baterie nevhazujte do domovního odpadu! Předějte tento výrobek autorizované recyklační společnosti ke tříděnému sběru. Elektrické nářadí musí být vráceno do zařízení k ekologické recyklaci.

## ODSTRAŇOVÁNÍ ZÁVAD

| PROBLÉM   | PŘÍČINA  | ŘEŠENÍ   |
|---|--|--|
| Strunová sekačka se nespustí.   | <ul style="list-style-type: none"> <li>■ K sekačce není připojen akumulátor.</li> <li>■ Žádný elektrický kontakt mezi sekačkou a akumulátorem.</li> <li>■ Akumulátor je vybitý.</li> <li>■ Blokovací tlačítko a spoušť nejsou stisknuté současně.</li> </ul>   | <ul style="list-style-type: none"> <li>■ Nasadíte akumulátor na sekačku.</li> <li>■ Vyjmete akumulátor, zkontrolujte póly a znovu jej nainstalujte.</li> <li>■ Nabijte akumulátor.</li> <li>■ Stiskněte blokovací tlačítko, podržte jej a stiskněte spínač pro zapnutí strunové sekačky.</li> </ul>  |
| <div style="background-color: black; color: white; padding: 2px 5px; font-weight: bold; display: inline-block;">CZ</div> <p>Při sekání se strunová sekačka zastaví.</p> | <ul style="list-style-type: none"> <li>■ Na sekačce není namontovaný chránič, což má za následek příliš dlouhou žací strunu a přetížení motoru.</li> <li>■ Je použita těžká žací struna.</li> <li>■ Hřídel motoru nebo strunová hlava jsou zablokované trávou.</li> <li>■ Motor je přetížen.</li> <li>■ Akumulátor nebo strunová sekačka je příliš horká.</li> <li>■ Akumulátor je odpojený od nářadí.</li> <li>■ Akumulátor je vybitý.</li> </ul> | <ul style="list-style-type: none"> <li>■ Vyjmete ze sekačky akumulátor a namontujte kryt.</li> <li>■ Používejte doporučenou nylonovou žací strunu s max. průměrem 2,4 mm.</li> <li>■ Zastavte sekačku, vyjměte akumulátor a odstraňte trávu z hřídele motoru a strunové hlavy.</li> <li>■ Vytáhněte strunovou hlavu z trávy. Motor začne pracovat, jakmile odstraníte zatížení. Při sekání pohybuje strunovou hlavou v sekané trávě tam a zpět, délka pohybu by neměla přesáhnout 20 cm v jednom tahu.</li> <li>■ Nechte akumulátor nebo sekačku zchladnout, dokud teplota neklesne pod 67 °C.</li> <li>■ Znovu nainstalujte akumulátor.</li> <li>■ Nabijte akumulátor.</li> </ul> |
| Ze strunové hlavy se nevysouvá struna.  | <ul style="list-style-type: none"> <li>■ Hřídel motoru nebo strunová hlava jsou zablokované trávou.</li> <li>■ Na cívce není struna v dostatečné délce.</li> <li>■ Strunová hlava je znečištěná.</li> <li>■ Struna se na cívce zamotala.</li> <li>■ Struna je příliš krátká.</li> </ul>  | <ul style="list-style-type: none"> <li>■ Zastavte sekačku, vyjměte akumulátor a očistěte hřídel motoru a strunovou hlavu.</li> <li>■ Vyjmete akumulátor a vyměňte strunu; dodržujte pokyny uvedené v části „VYMĚNA STRUNY“ v tomto návodu.</li> <li>■ Vyjmete akumulátor a očistěte strunovou hlavu.</li> <li>■ Vyjmete akumulátor, vymotejte strunu ze strunové hlavy a znovu ji naviňte; dodržujte pokyny uvedené v části „NATÁHNUTÍ NOVÉ STRUNY“ v tomto návodu.</li> <li>■ Vyjmete akumulátor, zatáhněte ručně za struny a současně stiskněte a uvolněte strunovou hlavu.</li> </ul>   |

| PROBLÉM   | PŘÍČINA   | ŘEŠENÍ   |
|---|---|--|
| Kolem strunové hlavy a krytu motoru se namotala tráva.                            | <ul style="list-style-type: none"><li>▪ Sekání vysoké trávy na úrovni terénu.</li></ul> | <ul style="list-style-type: none"><li>▪ Vysokou trávu sekejte shora dolů, pokaždé ne více než 20 cm, aby nedocházelo k zamotání.</li></ul> |
| Praskliny na strunové hlavě nebo sestava spodního krytu uvolněná z horního krytu. | <ul style="list-style-type: none"><li>▪ Strunová hlava je opotřebovaná.</li></ul>       | <ul style="list-style-type: none"><li>▪ Nechte ihned vyměnit strunovou hlavu kvalifikovaným servisním technikem.</li></ul>                 |

## ZÁRUKA

### ZÁRUKA SPOLEČNOSTI EGO

Úplné záruční podmínky společnosti EGO naleznete na webové stránce [egopowerplus.com](http://egopowerplus.com).

CZ

## PREČÍTAJTE SI VŠETKY POKYNY!



**PREČÍTAJTE SI NÁVOD NA OBSLUHU.**

**VAROVANIE:** Zvyškové riziko! Ľudia s elektronickými zariadeniami, napríklad kardiosťimulátorom, musia používanie tohto výrobku konzultovať so svojim lekárom. Použitie elektrických zariadení v tesnej blízkosti kardiosťimulátora by mohlo spôsobiť rušenie alebo zlyhanie kardiosťimulátora.



Bezpečnostné upozornenie



Používajte ochranu zraku. Pri práci s týmto výrobkom vždy noste ochranné okuliare alebo ochranné okuliare s postrannými krytmi a celotvárový štít.



Používajte ochranu sluchu. Pri práci s týmto výrobkom vždy používajte ochranu sluchu.



Používajte ochranu hlavy. Používajte schválenú bezpečnostnú prilbu na ochranu hlavy.



Neinštalujte okrúhle rezacie čepele.



Šírka - Max. rezná šírka strunovej kosačky



Zabezpečte, aby ostatní ľudia a domáce zvieratá zostali vo vzdialenosti aspoň 15 m od strunovej kosačky, keď sa používa.



Garantovaná hladina akustického výkonu. Emisie hluku do prostredia podľa smernice Európskeho spoločenstva.



Odpadové elektrické výrobky sa nesmú likvidovať spolu s domovým odpadom. Odovzdajte do autorizovaného recyklačného strediska.

$n_0$

Rýchlosť bez zaťaženia-Rýchlosť otáčania, bez záťaže



Jednosmerný prúd

## BEZPEČNOSTNÉ SYMBOLY

**VAROVANIE:** Prevádzka akéhokoľvek elektrického náradia môže viesť k vymršteniu cudzích predmetov do vašich očí, čo môže spôsobiť vážne poškodenie zraku. Predtým, než začnete používať elektrické náradie, si vždy nasadte ochranné okuliare alebo ochranné okuliare s postrannými krytmi a prípadne celotvárový štít. Odporúčame použiť bezpečnostnú masku so širokým priezorom na okuliare alebo štandardné bezpečnostné okuliare s postrannými krytmi.



Používateľ si musí prečítať návod na obsluhu, aby znížil riziko úrazu.



Používajte ochrannú obuv. Pri používaní tohto zariadenia noste protišmykovú bezpečnostnú obuv.



Používajte ochranné rukavice. Pri manipulácii s čepelou alebo chráničom čepele si ruky chráňte rukavicami.



Spätný ráz - Upozornite obsluhu na nebezpečnosť spätného rázu.



Priemer - Priemer nylonovej rezacej struny



Vymrštené objekty sa môžu odraziť a mať za následok zranenie osôb alebo poškodenie majetku. Keď krovinnorez používate, udržiajte od ostatných osôb a domácich zvierat bezpečnú vzdialenosť.



Nepoužívajte ani nenechávajte vonku na daždi.



Tento výrobok je v súlade s platnými smernicami ES.

V Napätie

.../min Za minútu

kg Kilogram

SK



## TECHNICKÉ ÚDAJE

|   |                             |  |  |
|---|-----------------------------|--|--|
|   | Hlavica kosačky             | 3-zubová čepeľ                                 |  |
| Napätie   | 56 V ---                    | 56 V ---                                       |  |
| Odporúčaná prevádzková teplota:   | 0°C-40°C                    |  |  |
| Odporúčaná skladovacia teplota:   | -20°C-70°C                  |  |  |
| Optimálna teplota nabíjania   | 5°C-40°C                    |  |  |
| Rýchlosť naprázdno  | 5000/6000 min <sup>-1</sup> | 5000/6000 min <sup>-1</sup>                    |  |
| Typ rezacej struny  | 2,4mm                       | /  |  |
| Strižná lišta   | /                           | ABB1203  |  |
| Rezná šírka   | 38 cm                       | 30cm   |  |
| Hmotnosť (bez akumulátora)  | 4,21Kg                      | 4,45 kg  |  |
| Nameraná hladina akustického výkonu L <sub>WA</sub>                       | 94,6 dB(A)<br>K=1,8 dB(A)   | 96,5 dB(A)<br>K=1,88 dB(A)                     |  |
| Hladina akustického tlaku na uši obsluhy L <sub>PA</sub>                  | 81,7 dB(A)<br>K=2,5 dB(A)   | 76,5 dB(A)<br>K=3 dB(A)                        |  |
| Garantovaná hladina akustického výkonu L <sub>WA</sub> (podľa 2000/14/ES) | 96 dB(A)                    | 98 dB(A)                                       |  |
| Vibrácie a <sub>h</sub>   | Predná pomocná rukoveť      | 3,2 m/s <sup>2</sup><br>K=1,5 m/s <sup>2</sup> | 2,8 m/s <sup>2</sup><br>K=1,6 m/s <sup>2</sup> |
|   | Zadná rukoveť               | 2,3 m/s <sup>2</sup><br>K=1,5 m/s <sup>2</sup> | 3,1 m/s <sup>2</sup><br>K=1,6 m/s <sup>2</sup> |

- Deklarovaná celková hodnota vibrácií bola meraná v súlade so štandardnou skúšobnou metódou a môže sa použiť na vzájomné porovnanie jednotlivých náradí;
- Uvádzaná celková hodnota vibrácie sa môže použiť aj na predbežný odhad expozície.

**POZNÁMKA:** Emisia vibrácií pri skutočnom používaní náradia sa môže odlišovať od deklarovanej hodnoty, pri akej sa nástroj používa; Za účelom ochrany obsluhy má používateľ v skutočných podmienkach použitia nosiť rukavice a ochranu sluchu.

## POPIS

### SPOZNAJTE VAŠU STRUNOVÚ KOSAČKU (obr. A1)

1. Prahový krúžok

2. Vypínač
3. Zadná rukoveť
4. Prívod vzduchu
5. Zaisťovacie tlačidlo
6. Prepínač vysokej/nízkej rýchlosti
7. Montážny záves ramenného popruhu
8. Nastaviteľná predná pomocná rukoveť
9. Ramenný popruh
10. Multifunkčný kľúč
11. Imbusový kľúč
12. Hlava kosačky (strunová hlava)
13. Rezacia struna
14. Uvoľňovacia zarážka
15. Strunová rezacia čepeľ
16. Ochrana
17. Vyhadzovací mechanizmus
18. Elektrické kontakty
19. Západka
20. Ochranná gumová podložka
21. Tlačidlo na uvoľnenie batérie
22. Závora bezpečnostnej bariéry (len pre hlavicu rezacieho noža)
23. Uzamykacia tyč závory bezpečnostnej bariéry (len pre hlavicu rezacieho noža)
24. Obruba (len pre hlavicu rezacieho noža)
25. Matica (len pre hlavicu rezacieho noža)
26. Skrutky (len pre hlavicu rezacieho noža)

SK

## OBSAH BALENIA

| NÁZOV DIELU                     | MNOŽSTVO |
|---------------------------------|----------|
| Strunová kosačka                | 1        |
| Ochrana                         | 1        |
| Montáž prednej pomocnej rukoveť | 1        |
| Imbusový kľúč                   | 1        |
| Multifunkčný kľúč               | 1        |
| Ramenný popruh                  | 1        |
| Návod na obsluhu                | 1        |
| Uzamykacia tyč                  | 1        |
| Obruba                          | 1        |
| Matica                          | 1        |

## MONTÁŽ

### MONTÁŽ CHRÁNIČA

1. Uvoľníte a odstránite dve skrutky z chrániča (obr. B).
2. Zarovnajte montážne otvory chrániča s montážnymi otvormi a následne pripevnite chránič dvoma skrutkami na základňu hriadela spolu s dvomi pružnými podložkami (obr. C).

**POZNÁMKA:** Zabezpečte, aby bol chránič pripevnený podľa obr. B a C. Akékoľvek iné upevnenie spôsobí veľké nebezpečenstvo!

### MONTÁŽ A NASTAVENIE PREDNEJ POMOCNEJ RUKOVÄTI

1. Uvoľníte uzamykaciu tyč v prednej pomocnej rukoväti a odstránite ju z tejto rukoväti spolu s krídlovou maticou (obr. D).

**POZNÁMKA:** Ak je nástroj vybavený hlavicom rezacieho noža, namontujte závoru bezpečnostnej bariéry na rukoväť slučky pomocou dvoch skrutiek.

**SK**

**POZNÁMKA:** Existujú dva druhy uzamykacej tyče, kratšia sa používa na hlavicu kosačky. Dlhšia sa používa na hlavicu rezacieho noža. Pri používaní stroja buď opatrní pri výbere správnej uzamykacej tyče.

2. Zatláčajte prednú rukoväť na hriadel na prednej strane prahového krúžku. Nikdy ju neumiestňujte medzi prahový krúžok a oblasť zadnej rukoväti (obr. E).
3. Vložte upínací blok do otvoru rukoväti (obr. F).
4. Namontujte uzamykaciu tyč a pritiahnite krídlovú maticu. Uistite sa, že predná pomocná rukoväť je otočená dohora a smeruje k hornej časti zadnej rukoväti (obr. G).
5. Nastavte prednú pomocnú rukoväť medzi prahový krúžok a štítok tak, aby vaša predná ruka bola pri narábaní so strojom vyrovnaná (obr. H).
6. Zamknite páčku uzamykacej tyče. (Obr. I).

**VAROVANIE:** Toto náradie nie je možné používať bez spoľahlivo upevnenej prednej pomocnej rukoväti.

### PRIPEVNEIE RAMENNÉHO POPRUHU

Stlačte háčik popruhu, aby ste ho otvorili, a pripojte ho na montážny záves ramenného popruhu (obr. J).

## OBSLUHA

**VAROVANIE:** Vždy používajte bezpečnosť

# 106

56 V LÍTIUM-IŇOVÁ BEZDRÔTOVÁ STRUNOVÁ KOSAČKA — ST1530E

okuliare s bočným krytom spolu s ochranou sluchu. Ak tak neurobíte, môže dôjsť k vyráženiu predmetov do očí a k ďalším možným vážnym zraneniam.

Tento výrobok môžete použiť na tieto uvedené účely:

Orezávanie: slúži na odstránenie trávy a buriny pri múroch, plotoch, stromoch a okrajoch.

Kosenie: slúži na kosenie trávy, ktorú je ťažké pokosiť bežnou kosačkou.

**POZNÁMKA:** Náradie sa musí používať v súlade s účelom použitia. Každé iné použitie, napríklad orezávanie okrajov, sa považuje za prípad zneužitia.

### PRIPOJENIE/ODPOJENIE AKUMULÁTORA

Používajte iba s akumulátormi a nabíjačkami, ktoré sú uvedené na obr. A2.

**Pred prvým použitím akumulátor nabite doplna.**

### Pripojenie

Zarovnajte rebrovanie akumulátora s montážnymi drážkami a zatlačte akumulátor nadol, kým nezačujete „cvaknutie“ (obr. K).

### Odpojenie

Stlačte tlačidlo na uvoľnenie batérie a vytiahnite akumulátor von tak, ako je znázornené na obr. L.

|     |                               |
|-----|-------------------------------|
| L-1 | Tlačidlo na uvoľnenie batérie |
|-----|-------------------------------|

### DRŽANIE STRUNOVEJ KOSAČKY

Na bezpečné a lepšie fungovanie si preložte ramenný popruh cez rameno, ako znázorňuje obr. N. Nastavte ramenný popruh do pohodlnej prevádzkovej polohy. Držte strunovú kosačku s oboma rukami: Jednu ruku na zadnej rukoväti a druhú na prednej pomocnej rukoväti.

**POZNÁMKA:** Hlava kosačky je rovnobežná so zemou v správnej vzdialenosti na kosenie bez toho, aby sa osoba obsluhujúca kosačku nakláňala (obr. N).

Existujú dva spôsoby, ako uvoľniť popruh: Zložte ho zo svojho ramena priamo (obr. O) alebo stlačte háčik popruhu a vyberte ho z montážneho závesu ramenného popruhu pripevneného na hriadeli (obr. P).

**VAROVANIE:** Ramenný popruh má takisto rýchlovyvíjací mechanizmus pre nebezpečné situácie. Ak dôjde k núdzovej situácii, ihneď si popruh odopnite zo svojho ramena bez ohľadu na to, akým spôsobom je pripnutý.

**SPUSTENIE/ZASTAVENIE STRUNOVEJ KOSAČKY (obr. M)**

## Zapnutie

Zatlačte poistnú páčku a potom stlačte vypínač. Rôzny prítlak na spúšťač znamená premenlivú rýchlosť otáčania rezacej struny. Väčší prítlak, vyššia rýchlosť.

## Zastavenie

Uvoľnite vypínač.

**POZNÁMKA:** Motor sa spustí len vtedy, keď sú zaistovacie tlačidlo a vypínač stlačené naraz.

## Funkcia nastavenia rýchlosti (obr. M)

Strunová kosačka má dve rýchlosti. Poloha „1“ je určená pre nízke rýchlosti, pričom poloha „2“ pre vysoké rýchlosti.

|     |                                   |
|-----|-----------------------------------|
| M-1 | Prepínač vysokej/nízkej rýchlosti |
| M-2 | Zaistovacie tlačidlo              |
| M-3 | Vypínač                           |

## POUŽÍVANIE STRUNOVEJ KOSAČKY

Pred každým použitím vyčistite oblasť, ktorá má byť kosená. Odstráňte všetky predmety, ako sú kamene, rozbité sklo, klince, drôty alebo šnúry, ktoré môžu byť vymrštené alebo môžu uviaznuť v stroji. Zabráňte prístupu deťom, prítomným osobám a domácim zvieratám. Všetky deti, prizerajúce sa osoby a zvieratá sa musia zdržiavať vo vzdialenosti najmenej 15 metrov; stále ešte môže existovať riziko vymrštenia predmetov na prizerajúce sa osoby. Oko-  
lostojace osoby by mali mať ochranu očí. Ak sa približujú, okamžite zastavte motor a reznú príslušenstvo.

## Pred každým použitím skontrolujte, či nie sú poškodené/opotrebované diely

Skontrolujte strunovú hlavu, chránič a prednú pomocnú rukoväť a diely, ktoré sú prasknuté, zdeformované, ohnuté, alebo inak poškodené.

Strunová čepeľ na okrajoch chrániča sa v priebehu času otupí. Odporúčame, aby ste ju pravidelne prebrúsili pilníkom, alebo ju nahradili za novú čepeľ.

## Po každom použití vyčistite kosačku.

## NASTAVENIE DĹŽKY REZNEJ STRUNY

Strunová hlava umožňuje obsluhu predĺžiť rezáciu struny bez zastavenia motora. Keď sa struna rozstrapká alebo opotrebuje, je možné vysunúť ďalšiu strunu ľahkým poklepaním hlavy kosačky o zem počas jej používania (obr. Q).

**POZNÁMKA:** Vysúvanie struny sa stáva ťažšie, keď sa struna skracuje.

**VAROVANIE:** Neodstraňujte alebo nemeňte zostavu strunovej rezacej čepele. Nadmerná dĺžka struny môže

spôsobiť prehriatie motora a môže dôjsť k vážnemu zraneniu.

## VÝMENA STRUNY

**POZNÁMKA:** Vždy používajte odporúčanú štandardnú nylonovú strunu s priemerom najviac 2,4 mm. Použitie inej struny, než je uvedené, môže spôsobiť prehriatie alebo poškodenie strunovej kosačky.

**VAROVANIE:** Nikdy nepoužívajte kovom vystužené struny, drôty, šnúry atď. Môžu sa odtrhnúť a stať sa nebezpečnými projektilmi.

1. Vyberte akumulátor.
2. Odstráňte zvyšnú strunu, ak je to nutné.
3. Odrežte 4 m rezacej struny, vložte ju do montážneho otvoru vnútri oka (obr. R). Pretlačte a vytiahnite strunu z druhej strany, pokiaľ nebude rovnaká dĺžka struny na oboch stranách cievky.
4. Stlačte počas otáčania spodnej časti krytu v smere šípky, aby ste strunu navinuli na cievku, až kým na každej strane nie je vidieť približne 14 cm struny (obr. S).
5. Zatlačte zostavu spodného krytu smerom nadol pri ťahaní lanka, ak chcete manuálne vytiahnuť lanko a skontrolujete správnu montáž hlavy kosačky.

Keď sa rezacia struna odtrhne na výstupe struny alebo sa rezacia struna nevysunie pri poklepaní na strunovú hlavu, postupujte podľa nasledujúcich krokov:

1. Stlačte uvoľňovacie jazýčky na hornom kryte a odmontujte spodnú časť krytu tak, že ju rovno vytiahnete von (obr. T a U).
2. Odstráňte rezáciu strunu z cievky.
3. Jednou rukou držte spodnú časť krytu, druhou rukou uchopíte spodnú časť krytu a zarovnajete jazýčky na hornom kryte s otvormi v spodnej časti krytu (obr. V); Dľaňou tlačte na dolnú časť krytu, kým sa jazýčky nezablokujú horným krytom.
4. Za účelom natiiahnutia novej rezacej struny postupujte podľa pokynov v časti „VÝMENA STRUNY“.

## VÝMENA 3-ZUBOVEJ ČEPELE

1. Demontujte zostavu spodného krytu podľa obr. T a U
2. Vložte stabilizátor a potom pomocou nástrčného kľúča uvoľnite maticu podľa obr. X1 a X2.
3. Odstráňte všetky časti okrem vnútornej príruby a matice (obr. X3), čepeľ namontujte na hriadeľ motora podľa obr. X4.
4. Utiahnite čepeľ podľa obr. X5.

SK

## ÚDRŽBA

**⚠ VAROVANIE:** Pri servise používajte iba identické náhradné diely. Pravidelne kontrolujte a udržiavajte stroj. Pre zaistenie bezpečnosti a spoľahlivosti je nevyhnutné, aby všetky opravy vykonával len kvalifikovaný servisný technik.

**⚠ VAROVANIE:** Aby nedošlo k vážnemu zraneniu, tak pred vykonávaním údržby, čistením, výmenou príslušenstva alebo odstraňovaním materiálu z prístroja vyberte akumulátor z náradia

**⚠ UPOZORNENIE:** Prekážky vo vetracích otvoroch bránia prívodu vzduchu do krytu motora, čoho následkom je prehriatie alebo poškodenie motora.

## ČISTENIE PRÍSTROJA

- Výrobok čistíte vlhkou handričkou a jemným saponátom. Zabráňte preniknutiu akejkoľvek kvapaliny do vnútorných častí náradia. Nikdy neponárajte žiadnu časť náradia do kvapaliny.
- Nepoužívajte žiadne silné čistiace prostriedky na plastovom kryte alebo rukoväti. Môžu byť poškodené určitými aromatickými olejmi, ako je borovica a citrón, a rozpúšťadlami, ako je petrolej. Vlhkosť môže tiež spôsobiť nebezpečenstvo úrazu elektrickým prúdom. Akúkoľvek vlhkosť poutierajte mäkkou a suchou handrou.
- Použite malú kefu alebo vzduch z malého vysávača s kefkou na vyčistenie vetracích otvorov na zadnom kryte.
- Udržujte vetracie otvory v kryte motora vždy bez nečistôt.

## MAZANIE PREVODOVKY

Prevody v prevodovej skrini sa musia pravidelne mazať prevodovým mazivom. Skontrolujte hladinu prevodového maziva v prevodovke približne každých 50 prevádzkových hodín odstránením tesniacej skrutky na boku skrine.

Ak na stranách prevodov nie je vidno žiadne mazivo, postupujte podľa pokynov pre naplnenie prevodovým mazivom až do 3/4 kapacity. Nezaplňte celkom prevody.

1. Pridržte strunovú kosačku na boku, aby tesniaca skrutka smerovala nahor (obr. W).
2. Pomocou dodaného multifunkčného kľúča povoľte a odstráňte tesniacu skrutku.
3. Použite mazacu striekačku (nie je súčasťou dodávky) na zavedenie maziva do otvoru pre skrutku; neprekročte 3/4 kapacity.
4. Po naplnení dotiahnite tesniacu skrutku.

## USKLADNENIE PRÍSTROJA

- Keď strunovú kosačku nepoužívate, vyberte z nej akumulátor.
- Pred uložením prístroj dôkladne vyčistite.
- Prístroj skladujte na suchom a dobre vetranom uzamknutom alebo vyvýšenom mieste mimo dosahu detí. Neskladujte prístroj v blízkosti hnojív, benzínu alebo iných chemikálií.

## Ochrana životného prostredia



Nevyhadzujte elektrické zariadenia, nabíjačku batérií a použité batérie/akumulátory do domového odpadu! Tento výrobok odneste na autorizované recyklačné miesto a dajte ho k dispozícii na separovaný zber. Elektrické náradie sa musí vrátiť do recyklačného zariadenia, ktoré je zlučiteľné so životným prostredím.

## ODSTRAŇOVANIE PORÚCH

| PROBLÉM                                 | PRÍČINA   | RIEŠENIE  |
|---|---|---|
| Strunová kosačka sa nespustí.           | <ul style="list-style-type: none"> <li>■ Akumulátor nie je pripojený do strunovej kosačky.</li> <li>■ Žiadny elektrický kontakt medzi kosačkou a batériou.</li> <li>■ Akumulátor je vybitý.</li> <li>■ Zaisťovacie tlačidlo a vypínač nie sú stlačené súčasne.</li> </ul>   | <ul style="list-style-type: none"> <li>■ Pripojte akumulátor do kosačky.</li> <li>■ Vyberte akumulátor, skontrolujte kontakty a akumulátor nainštalujte naspäť.</li> <li>■ Nabite akumulátor.</li> <li>■ Zatláčajte zaisťovacie tlačidlo a podržte ho, potom stlačte vypínač, aby ste strunovú kosačku zapli.</li> </ul>  |
| Strunová kosačka sa pri kosení zastaví. | <ul style="list-style-type: none"> <li>■ Chránič nie je namontovaný na kosačke, čo spôsobuje príliš dlhý rez a preťaženie motora.</li> <li>■ Je použitá príliš ťažká struna.</li> <li>■ Tráva sa namotala na hriadeľ motora alebo hlavu kosačky.</li> <li>■ Motor je preťažený.</li> <li>■ Akumulátor alebo strunová kosačka sú príliš horúce.</li> <li>■ Akumulátor je odpojený od nástroja.</li> <li>■ Akumulátor je vybitý.</li> </ul> | <ul style="list-style-type: none"> <li>■ Vyberte akumulátor a namontujte chránič na kosačku.</li> <li>■ Používajte odporúčanú nylonovú rezaciu strunu s priemerom najviac 2,4 mm.</li> <li>■ Zastavte kosačku, vyberte batériu a odstráňte trávu z hriadeľa motora a hlavy kosačky.</li> <li>■ Vytiahnite hlavu kosačky z trávy. Motor sa rozbehne, keď sa preťaženie odstráni. Pri kosení pohybujte hlavou kosačky dovnútra a von z trávy tak, aby sa pokosila a odstránila najviac 20 cm dĺžka v jednom reze.</li> <li>■ Nechajte akumulátor alebo strunovú kosačku vychladnúť, kým teplota neklesne pod 67 ° C.</li> <li>■ Znovu vložte akumulátor.</li> <li>■ Nabite akumulátor.</li> </ul> |
| Strunová hlava nevysúva strunu.         | <ul style="list-style-type: none"> <li>■ Tráva sa namotala na hriadeľ motora alebo hlavu kosačky.</li> <li>■ Na cievke nie je dostatok struny.</li> <li>■ Strunová hlava je znečistená.</li> <li>■ Struna je zamotaná na cievke.</li> <li>■ Struna je príliš krátka.</li> </ul>   | <ul style="list-style-type: none"> <li>■ Zastavte kosačku, vyberte batériu a vyčistíte hriadeľ motora a hlavu kosačky.</li> <li>■ Vyberte batériu a vymeňte rezaciu strunu; postupujte podľa časti „VÝMENA STRUNY“ v tomto návode na obsluhu.</li> <li>■ Vyberte batériu a vyčistíte hlavu kosačky.</li> <li>■ Vyberte batériu, vytiahnite strunu z hlavy kosačky a prevíňte ju; postupujte podľa časti „VÝMENA REZACEJ STRUNY“ v tomto návode na obsluhu.</li> <li>■ Vyberte batériu a ručne vytiahnite struny, pričom zároveň striedavo stláčate a uvoľňujete hlavu kosačky.</li> </ul>   |

SK

| PROBLÉM   | PRÍČINA   | RIEŠENIE  |
|---|---|---|
| Tráva sa namotala na hlavu kosačky a kryt motora.                                       | <ul style="list-style-type: none"><li>▪ Kosenie vysokej trávy na úrovni terénu.</li></ul> | <ul style="list-style-type: none"><li>▪ Koste vysokú trávu zhora nadol, pri každom prechode odstraňujte najviac 20 cm, aby nedošlo k namotaniu.</li></ul> |
| Trhliny na hlave strunovej kosačky alebo spodná časť krytu sa uvoľňujú z horného krytu. | <ul style="list-style-type: none"><li>▪ Strunová hlava je opotrebovaná.</li></ul>         | <ul style="list-style-type: none"><li>▪ Nechajte ihneď vymeniť hlavu kosačky kvalifikovaným servisným technikom.</li></ul>                                |

## ZÁRUKA

### ZÁRUČNÁ POLITIKA EGO

Navštívte webové stránky [egopowerplus.com](http://egopowerplus.com) pre úplné podmienky záručnej politiky spoločnosti EGO.

SK

## OLVASSA EL AZ ÖSSZES UTASÍTÁST!



### OLVASSA EL A HASZNÁLATI ÚTMUTATÓT

**FIGYELMEZTETÉS:** Fennmaradó kockázat! Az elektronikus készülékekkel, például pacemakerrel élő emberek a termék használata előtt kérjék ki az orvos véleményét. Az elektromos felszerelésnek a pacemakerhez közel való működtetése interferenciát vagy meghibásodást okozhat a pacemakerben.



Biztonsági figyelmeztetés



Viseljen szemvédőt – Mindig viseljen védőszemüveget vagy oldalsó védőlemezzel ellátott védőszemüveget és teljes védőálarcot a termék működtetése közben.



Viseljen fülvédőt – Mindig viseljen hallásvédőt a termék működtetése közben.



Viseljen fejdédőt – Viseljen hivatalos biztonsági kemény sisakot a feje védelme érdekében.



Ne szereljen fel kerek vágópengét.



Szélesség – A fűkasza max. vágásszélessége



Ügyeljen arra, hogy más személyek és a háziállatok legalább 15 m távolságban legyenek a fűkasza használata közben.



Garantált hangteljesítményszint. Környezetre ható zajkibocsátás a Európai Közösség irányelve szerint.



Az elhasznált elektromos termékek nem helyezhetők a háztartási hulladék közé. Vigye hivatalos újrahasznosító telephelyre.

$n_0$

Üresjárati fordulatszám-Forgási sebesség üresjáraton



Egyenáram

## BIZTONSÁGI SZIMBÓLUMOK

**FIGYELMEZTETÉS:** Bármely elektromos kéziszerszám működtetése azzal járhat, hogy idegen tárgyak szembe kerülnek, ami súlyos szemsérüléseket okozhat. Az elektromos kéziszerszám működtetése előtt mindig vegyen fel oldalsó védőlemezzel ellátott védőszemüveget és a teljes védőálarcot, ha szükséges. Javasoljuk, hogy viseljen Wide Vision Safety Mask-ot (védőálarc) a védőszemüveg fölött vagy standard védőszemüveget oldalsó védőlemezzel.



A sérülések kockázatának csökkentése érdekében a használaton el kell olvasnia a használati útmutatót.



Viseljen védő lábbelit. Viseljen csúszásgátló cipőt, amikor a készüléket használja.



Viseljen védőkesztyűt – Védje a kezét kesztyűvel, amikor a pengét vagy a pengevédőt kezeli.



A visszapatánó tárgyak súlyos személyi sérülést vagy anyagi kárt okozhatnak. Ügyeljen arra, hogy más személyek és a háziállatok távol legyenek a fűkasza használata közben.



Átmérő – A nylon vágószál átmérője



Ügyeljen arra, hogy más személyek és a háziállatok legalább 15 m távolságban legyenek a fűkasza használata közben.



Ne használja esőben, és ne hagyja kint, ha esik az eső.



A termék megfelel az érvényes EK irányelveknek.

V

Feszültség

.../min

Percenként

kg

Kilogramm

HU

## JELLEMZŐK

|   |                             |  |
|---|-----------------------------|--|
|   | Fűkasza fej                 | 3 fogú penge                                   |
| Feszültség  | 56 V $\text{---}$           | 56 V $\text{---}$                              |
| Javasolt működési hőmérséklet:                                  | 0°C-40°C                    |  |
| Javasolt tárolási hőmérséklet:                                  | -20°C-70°C                  |  |
| Optimális töltési hőmérséklet                                   | 5°C-40°C                    |  |
| Üresjárat sebesség  | 5000/6000 min <sup>-1</sup> | 5000/6000 min <sup>-1</sup>                    |
| Vágószál típusa   | 2,4mm                       | /  |
| Vágópenge   | /                           | ABB1203  |
| Vágásszélesség  | 38 cm                       | 30cm   |
| Súly (akkumulátor-egység nélkül)                                | 4,21Kg                      | 4,45 kg  |
| Mért hangteljesítményszint $L_{WA}$                             | 94,6 dB(A)<br>K=1,8 dB(A)   | 96,5 dB(A)<br>K=1,88 dB(A)                     |
| Hangnyomásszint a kezelő fülénél $L_{PA}$                       | 81,7 dB(A)<br>K=2,5 dB(A)   | 76,5 dB(A)<br>K=3 dB(A)                        |
| Garantált hangteljesítményszint $L_{WA}$ (a 2000/14/EK szerint) | 96 dB(A)                    | 98 dB(A)                                       |
| Vibráció $a_h$  | Elülső segédfo-gantyú       | 3,2 m/s <sup>2</sup><br>K=1,5 m/s <sup>2</sup> |
|   | Hátsó fogantyú              | 2,3 m/s <sup>2</sup><br>K=1,5 m/s <sup>2</sup> |
|   |                             | 2,8 m/s <sup>2</sup><br>K=1,6 m/s <sup>2</sup> |

- A névleges rezgési összérték mérése standard bevizsgálási módszerrel történt, és használatával a szerszámok egymással összehasonlíthatók.
- A névleges rezgési érték a kockázat előzetes felméréséhez is felhasználható.

**MEGJEGYZÉS:** A rezgés kibocsátás az elektromos szerszám aktuális használata közben eltérhet attól a névleges értéktől, amellyel a szerszámot használják: a kezelő védelme érdekében a használonak kesztyűt és hallásvédőt kell használnia működtetés közben.

## LEÍRÁS

### ISMERJE MEG A FŰKASZÁT (A1. ábra)

1. Határoló gyűrű
2. Kapcsoló

3. Hátsó fogantyú
4. Légbemenet
5. Kioldó gomb
6. Alacsony/nagy sebesség kapcsoló
7. Vállszij Akasztó
8. Beállítható elülső segédfogantyú
9. Vállszij
10. Multifunkciós csavarkulcs
11. Imbuszkulcs
12. Fűkaszáló fej (ütköző fej)
13. Vágószál
14. Kioldógomb
15. Vágópenge
16. Védőburkolat
17. Kioldó mechanizmus
18. Elektromos érintkezők
19. Zár
20. Gumi alátét
21. Akkumulátor kioldógomb
22. Biztonsági zárórúd (csak kefes vágófejhez)
23. A rúd rögzítése a biztonsági zárórúddhoz (csak kefes vágófejhez)
24. Külső perem (csak kefes vágófejhez)
25. Anya (csak kefes vágófejhez)
26. Csavarok (csak kefes vágófejhez)

## CSOMAGOLÁSI LISTA

| ALKATRÉSZ NEVE                      | MENNYISÉG |
|-------------------------------------|-----------|
| Fűkaszáló                           | 1         |
| Védőburkolat                        | 1         |
| Elülső segédfogantyú összeszerelése | 1         |
| Imbuszkulcs                         | 1         |
| Multifunkciós csavarkulcs           | 1         |
| Vállszij                            | 1         |
| Használati útmutató                 | 1         |
| Rögzítő                             | 1         |
| Külső perem                         | 1         |
| Anya                                | 1         |
| Csavar                              | 2         |



## ÖSSZESZERELÉS

### A VÉDŐBURKOLAT FELSZERELÉSE

- Lazítsa meg, és vegye le a két csavart a védőburkolatról (B ábra).
- Illeszse a rögzítőfuratokat a szerelési lyukakhoz, majd rögzítse a védőburkolatot a tengely talpához a két csavarral és a két rugós alátéttel (C ábra).

**MEGJEGYZÉS:** Ellenőrizze, hogy a védőburkolat a B és C ábrának megfelelően rögzítve van-e, a fordított rögzítés nagy veszélyt okozhat!

### AZ ELÜLSŐ SEGÉDFOGANTYÚ FELSZERELÉSE ÉS BEÁLLÍTÁSA

- Lazítsa meg az elülső segédfogantyú rögzítőrúdját, és vegye le a rögzítőrudat az elülső segédfogantyúról (D ábra).

**MEGJEGYZÉS:** Szerelje fel a biztonsági zárórudat a kétkezes fogantyúra a két csavarral, ha a szerszám kefék vágófejjel rendelkezik.

**MEGJEGYZÉS:** kétféle rögzítő van, a rövidebb való a fűkasza-fejhez. A hosszabb való a kefék vágófejhez. Legyen óvatos, és válassza a megfelelő rögzítőt a szerszám használatához.

|     |                      |     |  |
|-----|----------------------|-----|--|
| D-1 | Elülső segédfogantyú | D-4 | Biztonsági zárórúd (csak kefék vágófejhez) |
| D-2 | Rögzítőkapocs        | D-5 | Rögzítő                                    |
| D-3 | Szárnyas anya        |     |  |

- Tolja rá az elülső fogantyút a határoló gyűrű elején lévő tengelyre. Sohase tegye a határoló gyűrű és a hátulsó fogantyú területe közé (E. ábra).
- Helyezze a rögzítőkapocsot a fogantyú nyílásba (F. ábra).
- Szerelje fel a rögzítőt, és húzza meg őket a szárnyas anyával. Ellenőrizze, hogy az elülső fogantyú felfelé és a hátsó fogantyú felé néz-e (G. ábra).
- Állítsa az elülső segédfogantyút a határoló gyűrű és a címke közé, hogy biztosítsa az első kar egyenességét a működtetés közben (H ábra).
- Zárja le a rögzítőrúd karját. (I ábra).

**▲ FIGYELMEZTETES:** A szerszám nem használható a biztonságosan rögzített elülső segédfogantyú nélkül.

### A VÁLLSZÍJ FELSZERELÉSE

Nyomja le a vállsúly kampóját a kinyitáshoz, és csatlakoztassa a vállsúly akasztójához (J ábra).

## MŰKÖDTETÉS

**▲ FIGYELMEZTETES:** Mindig viseljen biztonsági szemvédőt, vagy oldalsó ellenzővel felszerelt szemüveget, valamint fülvédőt. Ezek elmulasztásával tárgyak szóródhatnak a szemébe, vagy egyéb súlyos sérülést okozhatnak.

A terméket az alábbi célokra használhatja:

**Nyesés:** a falak, kerítések, fák és szegélyek tövében lévő fű vágására használja.

**Vágás:** olyan helyen használja a fű vágására, amit a normál fűnyíró nehezen érne el.

**MEGJEGYZÉS:** A szerszámot csak az előírt célokra használja. Bármilyen más használat, például szélek vágása, helytelen használatnak minősül.

### AZ AKKUMULÁTOREGYSÉG BERAKÁSA/ KIVÉTELE

Csak az A2. ábrán felsorolt akkumulátoregységeket és töltőket használja.

**Az első használat előtt teljesen töltsse fel.**

### Csatlakoztatás

Illeszse az akkumulátor bordáit a szerelőnyílásokba és nyomja le az akkumulátoregységet, amíg kattantást nem hall (K ábra).

### Leválasztás

Oldja ki az akkumulátor kioldógombot, és húzza ki az akkumulátoregységet, ahogy az L. ábrán látható.

|     |                        |
|-----|------------------------|
| L-1 | Akkumulátor kioldógomb |
|-----|------------------------|

### FŰKASZA TARTÁSA

A biztonságos és jobb üzemelés érdekében helyezze fel a vállsúlyt a vállára az N. ábrán látható módon. A vállsúlyt kényelmes működési pozícióba állítsa. A fűkaszát tartsa megfelelően mindkét kezével. Az egyik keze legyen a hátsó fogantyún és a másik az első segédfogantyún.

**MEGJEGYZÉS:** A fűkasza fej legyen párhuzamos a talajjal megfelelő vágási távolságban, és a kezelő ne hajoljon fölé (N ábra).

A szij kioldásának kétféle módja van. Közvetlenül a válláról vegye le (O ábra), vagy nyomja meg az kampót a szíjon, és vegye le a tengelyre rögzített vállsúly akasztót (P ábra).

**▲ FIGYELMEZTETES:** A vállsúly is egy gyorskioldó mechanizmus veszélyes helyzetben. Ha vész helyzet adódik, akkor azonnal vegye le a válláról, függetlenül attól,

hogyan van feltéve a szij.

## A FŰKASZA INDÍTÁSA/LEÁLLÍTÁSA (M ábra)

### Indítás

Nyomja meg a kapcsoló gombot, majd oldja ki a triggert. Ha különböző erősséggel nyomja meg a triggert, akkor a fűkasza változó vágási sebességgel működik. Erősebb nyomásnál nagyobb a sebesség.

### Leállítás

Engedje el a kapcsolót.

**MEGJEGYZÉS:** A motor csak akkor működik, ha a kioldó gombot és a kapcsolót is nyomva tartja.

### Sebességállító funkció (M ábra)

A fűkasza két sebességgel működik. Az „1.” pozíció az alacsony sebességet, míg a „2.” pozíció a nagy sebességet jelöli.

|     |                                 |
|-----|---------------------------------|
| M-1 | Alacsony/nagy sebesség kapcsoló |
| M-2 | Kioldó gomb                     |
| M-3 | Kapcsoló                        |

## FŰKASZA HASZNÁLATA

Minden használat előtt tisztítsa meg a nyírandó területet. Távolítsa el minden tárgyat, pl. követ, törött üveget, tűt, vezetéket vagy zsinórt, amely beakadhat a vágóegységbe. A területen ne legyenek gyermekek, nézelődők vagy állatok. Minden nézelődő, gyermek és állat legalább 15 m távolságban legyen; még így fennáll a veszélye, hogy tárgyak repülnek a nézelődők felé. A nézelődők is viseljenek védőszemüveget. Amikor Ön felé közeledik valaki, azonnal állítsa le a motort és a vágóegységet.

### Minden használat előtt ellenőrizze a sérült/kopott alkatrészeket

Ellenőrizze az ütköző fejet, védőburkolatot és első segéd-fogantyút, és cserélje ki a repedt, behajolt vagy sérült alkatrészeket.

A védőburkolat szélén lévő vágópenge egy idő után tompa lehet. Javasoljuk, hogy időnként élezze meg reszelővel, vagy cserélje ki új pengére.

### Minden használat után tisztítsa meg a fűkaszt.

## A VÁGÁS HOSSZÁNAK BEÁLLÍTÁSA

A fűkasza fej lehetővé teszi a kezelőnek, hogy a motor leállításánál oldjon ki vágószálat. Ha a szál kopott vagy elhasználódott, akkor további szál oldható ki, ha enyhén megnyomja az orsó rögzítőelemét a fűkasza fej működése közben (Q ábra).

**MEGJEGYZÉS:** A vágószál kioldása egyre nehezebb, ha a vágószál rövidebb lesz.

**FIGYELMEZTETES:** Ne távolítsa el, és ne változtassa meg a vágóegységet. A felesleges hossz miatt a motor túlmelegszik, amely súlyos sérülést okozhat.

## VÁGÓSZÁL CSERÉJE

**MEGJEGYZÉS:** Mindig a javasolt nylon vágószálat használja, amelynek átmérője nem használja meg a 2,4 mm-t. Ha nem ilyen használ, akkor a fűkasza túlmelegedhet, vagy megsérülhet.

**FIGYELMEZTETES:** Soha ne használjon fémmel merevített szálat, zsinórt, vezetéket stb. Ezek eltörhetnek, és veszélyesek lehetnek a szétröppenő részek miatt.

1. Vegye le az akkumulátoregységet.
2. Vegye le a maradék vágószálat, ha szükséges.
3. Vágjon le 4 m hosszú vágószálat. Helyezze a vágószálat a fűzőlyuk rögzítőlyukába (R ábra). Húzza és tolja a vágószálat a másik oldalról, amíg egyenlő mennyiség nincs az orsó két oldalán.
4. Az alsó borítás forgatása közben tolja a nyíl irányába a vágószál feltekeréséhez, amíg körülbelül 14 cm vágószál marad mindkét oldalon (S ábra).
5. Nyomja le az alsó borítást, miközben húzza a vágószálat, hogy kézzel beállítsa, és ellenőrizze a fűkasza fej megfelelő összeszerelését.

Ha a vágószál kiszakad a vágószál kimenetből, vagy a vágószál nem oldódik ki, ha a vágófejet beakadt, akkor kövesse az alábbi lépéseket:

1. Nyomja meg a kioldógombot a felső borításon, és távolítsa el az alsó borítást úgy, hogy egyenesen kihúzza (T és U ábra).
2. Távolítsa el a vágószálat az orsóból.
3. Míg az egyik kezével az alsó borítást tartja, fogja a másik kezével az alsó borítást, és illesse a felső borításon található gombokat az alsó borítás nyílásaiba (V ábra); A tenyerével nyomja az alsó borítást, amíg a gombok a helyükre kerülnek a felső borításban.
4. A vágószál újratöltéséhez kövesse a „VÁGÓSZÁL CSERÉJE” pontban található utasításokat.

## 3 FOGÚ PENGE CSERÉJE

1. Vegye le az alsó borítást a T és U ábrán látható módon.
2. Helyezze be a stabilizátort, majd egy csavarkulccsal lazítsa meg az anyát az X1 és X2 ábrán látható

módon.

3. Távolítsa el minden alkatrészt a belső peremen és anyán kívül (X3 ábra), szerelje fel a pengét a motor tengelyre az X4 ábrán látható módon.
4. Húzza meg a pengét X5 ábra.

## KARBANTARTÁS

**▲ FIGYELMEZTETES:** Javításkor használjon azonos pótalkatrészeket. Rendszeresen ellenőrizze a gépet, és végezzen karbantartást. A biztonságosság és megbízhatóság biztosítása érdekében minden javítást szakképzett szerviztechnikus hajtsa végre.

**▲ FIGYELMEZTETES:** A súlyos személyi sérülések elkerülése érdekében távolítsa el az akkumulátoregységet a szerszámból szervizelés, tisztítás, tartozékok cseréje vagy anyagok szerszámból való eltávolítása közben.

**▲ FIGYELEM:** A szellőzőnyílásokban lévő akadályok megakadályozzák, hogy levegő áramoljon a motorházba, így a motor megsérülhet vagy túlmelegedhet.

## AZ EGYSÉG TISZTÍTÁSA

- Nedves törőruhával és enyhe tisztítószerrel tisztítsa meg az egységet. Soha ne hagyja, hogy bármilyen folyadék a szerszámba kerüljön, soha ne merítse vízbe a szerszám egyetlen alkatrészét sem.
- Ne használjon erős tisztítószereket a műanyag burkolaton vagy a fogantyún. Ezek megsérülhetnek a különböző aromaolajaktól, pl. fenyő vagy citrom, és az olyan oldószerektől, mint a kerozin. A nedvesség szintén áramütés veszélyét okozhatja. A nedvességet egy puha, száraz törővel törölje le.
- Használjon kis kefét vagy egy kis perszívó levegőkimenetét a hátsó burkolaton lévő szellőzőnyílások megtisztításához.
- A motorházon lévő szellőzőnyílásokat mindig tartsa szennyeződésektől mentesen.

## SEBESSÉGVÁLTÓ OLAJOZÁSA

A szerelvényburkolatban lévő sebességváltó időnként be kell olajozni kenőanyaggal. Ellenőrizze a szerelvényburkolat kenőanyag szintjét minden 50. működési óra után, úgy, hogy leveszi a burkolat oldalán lévő rögzítőcsavart.

Ha nem lát kenőanyagot a burkolat oldalán, akkor kövesse a lenti lépéseket, hogy feltöltse a térfogat 3/4-éig kenőanyaggal. Ne töltsen fel teljesen a sebességváltót.

1. Tartsa a fúkasztát az oldalán, hogy a rögzítőcsavar felfelé nézzen (W ábra).

2. Használja a mellékelt multifunkciós csavarkulcsot a rögzítőcsavar meglazításához és levételéhez.
3. Használjon zsíröz fecskendőt (nem tartozék), hogy kenőanyagot vigyen fel a csavar nyílásra; ne lépje túl a 3/4 térfogatot.
4. Befecskendezés után húzza meg a rögzítőcsavart.

## AZ EGYSÉG TÁROLÁSA

- Vegye ki az akkumulátoregységet a fúkasztából, amikor nem használja.
- Tárolás előtt alaposan tisztítsa meg a szerszámot.
- Az egységet száraz, jól szellőző, elzárt vagy magas helyen tárolja, ahol gyermekek nem érik el. Ne tárolja az egységet műtrágyák, benzín vagy más vegyszerek mellett.

## Környezetvédelem



Ne dobja az elektromos felszerelést, az elhasznált akkumulátort és a töltőt a háztartási hulladékok közé! Vigye hivatalos újrahasznosító telephelyre, és tegye hozzáférhetővé a szelektív gyűjtéshez. Az elektromos szerszámokat környezetbarát újrahasznosító üzembe kell vinni.

HU

## HIBAELHÁRÍTÁS

| PROBLÉMA                      | OK  | MEGOLDÁS  |
|-------------------------------|---|---|
| Fűkaszálo nem indul.          | <ul style="list-style-type: none"> <li>■ Az akkumulátoregység nincs csatlakoztatva a fűkaszához.</li> <li>■ Nincs elektromos kapcsolat a sövénynyíró és az akkumulátor között.</li> <li>■ Az akkumulátoregység lemerült.</li> <li>■ A kioldó gomb és a kapcsoló nincs egyidejűleg megnyomva.</li> </ul>   | <ul style="list-style-type: none"> <li>■ Csatlakoztassa az akkumulátoregységet a fűkaszához.</li> <li>■ Vegye ki az akkumulátoregységet, ellenőrizze a csatlakozásokat, és helyezze vissza az akkumulátoregységet.</li> <li>■ Töltse fel az akkumulátoregységet.</li> <li>■ Nyomja meg és tartsa lenyomva a kioldó gombot, majd nyomja meg a kapcsolót a fűkasza bekapcsolásához.</li> </ul>  |
| A fűkasza vágás közben leáll. | <ul style="list-style-type: none"> <li>■ A védőburkolat nincs felszerelve a fűkaszára, amely révén a vágószál túl hosszú, és a motor túlterhelt.</li> <li>■ Nehéz vágószálat használ.</li> <li>■ A motor tengely vagy fűkasza fej beakadt a fűbe.</li> <li>■ A motor túlterhelt</li> <li>■ Az akkumulátoregység vagy a fűkasza túl forró.</li> <li>■ Az akkumulátoregység ki van véve a szerszámból.</li> <li>■ Az akkumulátoregység lemerült.</li> </ul> | <ul style="list-style-type: none"> <li>■ Vegye ki az akkumulátoregységet, és szerelje fel a védőburkolatot a fűkaszára.</li> <li>■ Használja a javasolt nejlön vágószálat, legfeljebb 2,4 mm átmérővel.</li> <li>■ Állítsa le a fűkaszt, vegye ki az akkumulátort, és távolítsa el a fűvet a motor tengelyről és fűkasza fejről.</li> <li>■ Távolítsa el a fűvet a fűkasza fejről. A motor újra működőképes, ha a terhet eltávolítja. Vágás közben a fűkasza fejet oda-vissza mozgassa a vágandó fűvön, és 20 cm-nél hosszabb fűvet ne vágjon egy vágással.</li> <li>■ Hűtse le az akkumulátoregységet vagy a fűkaszt 67 °C alatti hőmérsékletre.</li> <li>■ Helyezze vissza az akkumulátoregységet.</li> <li>■ Töltse fel az akkumulátoregységet.</li> </ul> |

HU

| PROBLÉMA  | OK  | MEGOLDÁS  |
|---|---|---|
| A fűkasza fej nem enged ki a szálát.  | <ul style="list-style-type: none"> <li>■ A motor tengely vagy fűkasza fej beakadt a fűbe.</li> <li>■ Nincs elég szál az orsón.</li> <li>■ A fűkasza fej piszkos.</li> <li>■ A vágószál összegabalyodott az orsón.</li> <li>■ A szál túl rövid.</li> </ul> | <ul style="list-style-type: none"> <li>■ Állítsa le a fűkaszázt, vegye ki az akkumulátort, és tisztítsa meg a motor tengelyt és fűkasza fejet.</li> <li>■ Vegye ki az akkumulátort, és cserélje ki a vágószálát; kövesse a jelen használati útmutató „VÁGÓSZÁL CSERÉJE” fejezetet.</li> <li>■ Vegye ki az akkumulátort, és tisztítsa meg a fűkasza fejet.</li> <li>■ Vegye ki az akkumulátort, és vegye ki a vágószálát a vágófejből, és tekerje fel újra; a jelen használati útmutató „VÁGÓSZÁL ÚJRATÖLTÉSE” című fejezetét követve.</li> <li>■ Vegye ki az akkumulátort, és húzza ki a vágószálát kézzel, közben nyomja le, és oldja ki a fűkasza fejet.</li> </ul> |
| Fű tekeredett a fűkasza fejre és a motorházra.  | <ul style="list-style-type: none"> <li>■ Magas fűvet vág talajhoz közel.</li> </ul>   | <ul style="list-style-type: none"> <li>■ A magas fűvet felülről vágja, egyszerre 20 cm-nél többet ne vágjon, így elkerüli a feltekeredést.</li> </ul>   |
| A fűkasza vágófején vagy az alsó borításon lévő repedések a felső borítástól eredően szétnyílnak. | <ul style="list-style-type: none"> <li>■ A fűkasza fej elhasználódott.</li> </ul>   | <ul style="list-style-type: none"> <li>■ Azonnal cseréltesse ki a fűkasza fejet egy szakképzett szerviztechnikussal.</li> </ul>   |

## GARANCIA

### EGO GARANCIÁLIS FELTÉTELEK

Kérjük, látogasson el az [egopowerplus.com](http://egopowerplus.com) oldalra, ahol megtalálja a részletes EGO garanciális feltételeket.

## CITIȚI TOATE INSTRUCȚIUNILE!



### CITIȚI MANUALUL DE INSTRUCȚIUNI

**⚠ AVERTISMENT:** Riscuri reziduale! Persoanele cu dispozitive electronice precum stimulatoare cardiace ar trebui să se consulte cu medicul (medicii) înainte de a utiliza acest produs. Funcționarea echipamentelor electrice în imediata apropiere a unui stimulator cardiac ar putea provoca interferențe sau defecțiuni ale stimulatorului cardiac.



Alertă privind siguranța



Purtați echipament de protecție oculară - Purtați întotdeauna ochelari de protecție sau ochelari de protecție cu apărători laterale și o vizieră facială completă când utilizați acest produs.



Purtați echipament de protecție auditivă - Purtați întotdeauna echipament de protecție auditivă când utilizați acest produs.



Purtați echipament de protecție a capului - Purtați o cască de protecție aprobată pentru a vă proteja capul.



Nu instalați lame de tăiere rotunde.



Lățime - Lățimea maximă de tăiere a trimmerului cu fir



Asigurați-vă că alte persoane și animalele de companie se află o distanță de cel puțin 15 m de trimmerul cu fir când acesta este în funcțiune.



Nivelul puterii sunetului garantat. Emisii sonore în mediul înconjurător conform Directivei comunitare europene.



Deșeurile produselor electrice nu trebuie să fie eliminate împreună cu deșeurile menajere. Predați-le unui punct de reciclare autorizat.

$n_0$

Turație de mers în gol-Turație de mers în gol



Curent continuu

## SIMBOLURI PRIVIND SIGURANȚA

**⚠ AVERTISMENT:** Exploatarea oricăror scule electrice se poate solda cu ricoșarea de obiecte străine în ochii dumneavoastră, ceea ce se poate solda cu vătămarea gravă a ochilor. Înainte de a începe să utilizați scula electrică, echipați-vă întotdeauna cu ochelari de protecție cu apărători laterale și vizieră pentru față, atunci când este nevoie. Vă recomandăm să purtați o vizieră lată de protecție peste ochelarii de vedere sau ochelari de protecție standard cu apărători laterale.



Pentru a reduce riscul de accidentări, utilizatorul trebuie să citească manualul de instrucțiuni.



Purtați încălțăminte de protecție - Purtați încălțăminte antiderapantă când utilizați acest echipament.



Purtați mănuși de protecție - Protejați-vă mâinile cu mănuși când manevrați lama sau apărătoarea lamei.



Feriviță de propulsarea lamei - Avertizați operatorul asupra pericolului propulsiei lamei.



Diametru - Diametrul frului de tăiere din nailon



Obiectele aruncate pot ricoșa și cauza vătămări corporale și pagube. Asigurați-vă că terți și animalele de companie se află la distanță de trimmerul pentru tufișuri când acesta este în funcțiune.



Nu utilizați acest produs în ploaie și nu-l lăsați în exterior în timp ce plouă.



Acest produs este în conformitate cu directivele europene aplicabile.

V Tensiune

.../min Pe minut

kg Kilogram

RO

## SPECIFICAȚII

|  |                             |  |  |
|--|-----------------------------|--|--|
|  | Cap de trimmer              | Lamă cu 3 dinți                                |  |
| Tensiune   | 56 V ---                    | 56 V ---                                       |  |
| Temperatură de funcționare recomandată:                                  | 0°C-40°C                    |  |  |
| Temperatură de depozitare recomandată:                                   | -20°C-70°C                  |  |  |
| Temperatură optimă de încărcare  | 5°C-40°C                    |  |  |
| Turație de mers în gol   | 5000/6000 min <sup>-1</sup> | 5000/6000 min <sup>-1</sup>                    |  |
| Tipul firului de tăiere  | 2,4mm                       | /  |  |
| Lamă de tăiere   | /                           | ABB1203  |  |
| Lățime de tăiere   | 38 cm                       | 30cm   |  |
| Greutate (fără set de acumulatori)                                       | 4,21Kg                      | 4,45 kg  |  |
| Nivel de putere sonoră măsurată L <sub>WA</sub>                          | 94,6 dB(A)<br>K=1,8 dB(A)   | 96,5 dB(A)<br>K=1,88 dB(A)                     |  |
| Nivel de presiune sonoră la urechea operatorului L <sub>PA</sub>         | 81,7 dB(A)<br>K=2,5 dB(A)   | 76,5 dB(A)<br>K=3 dB(A)                        |  |
| Nivel de putere acustică garantat L <sub>WA</sub> : (conform 2000/14/CE) | 96 dB(A)                    | 98 dB(A)                                       |  |
| Vibrații a <sub>n</sub>  | Mâner frontal de susținere  | 3,2 m/s <sup>2</sup><br>K=1,5 m/s <sup>2</sup> | 2,8 m/s <sup>2</sup><br>K=1,6 m/s <sup>2</sup> |
|  | Mâner posterior             | 2,3 m/s <sup>2</sup><br>K=1,5 m/s <sup>2</sup> | 3,1 m/s <sup>2</sup><br>K=1,6 m/s <sup>2</sup> |

- Valoarea totală declarată a vibrațiilor a fost măsurată în conformitate cu o metodă standard de testare și poate fi utilizată pentru compararea sculelor între ele;
- Valoarea totală declarată poate fi utilizată în evaluarea preliminară a expunerii.

**OBSERVAȚIE:** Vibrațiile emise în timpul utilizării efective a sculei electrice pot diferi față de valoarea celor declarate pentru scula utilizată; Pentru protejarea operatorului, utilizatorul trebuie să poarte mănuși și protecții auditive în timpul utilizării efective a produsului.

## DESCRIEREA

### DESCRIEREA TRIMMERULUI CU FIR (Fig. A1)

- Inel limitator

- Declanșator
- Mâner posterior
- Admisie de aer
- Buton de siguranță
- Regulator de viteză ridicată/joasă
- Suport de prindere a curelei de umăr
- Mâner frontal ajustabil
- Curea de umăr
- Cheie multifuncțională
- Cheie hexagonală
- Cap de trimmer (Cap cu bobină)
- Fir de tăiere
- Ureche de detașare
- Lamă de tăiere fir
- Apărătoare
- Mecanism de ejectare
- Contacte electrice
- Zăvor
- Amortizor cauciucat de protecție
- Buton de detașare acumulator
- Bară de siguranță (Numai pentru cap de trimmer pentru iarabă)
- Tijă de blocare pentru bară de siguranță (Numai pentru cap de trimmer pentru iarabă)
- Flanșă exterioară (Numai pentru cap de trimmer pentru iarabă)
- Piuliță (Numai pentru cap de trimmer pentru iarabă)
- Șuruburi (Numai pentru cap de trimmer pentru iarabă)

RO

## LISTA COMPONENTELOR

| DENUMIREA PIESELOR                  | CANTITATE |
|-------------------------------------|-----------|
| Trimmer cu fir                      | 1         |
| Apărătoare                          | 1         |
| Ansamblu mâner frontal de susținere | 1         |
| Cheie hexagonală                    | 1         |
| Cheie multifuncțională              | 1         |
| Curea de umăr                       | 1         |
| Manual de utilizare                 | 1         |
| Tijă de blocare                     | 1         |
| Flanșă exterioară                   | 1         |
| Piuliță                             | 1         |
| Șurub                               | 2         |

## ASAMBLAREA

### MONTAREA APĂRĂTORII

1. Desfaceți și îndepărtați cele două șuruburi de pe apărătoare (Fig. B).
2. Aliniați orificiile de fixare ale apărătorii cu orificiile ansamblului, după care prindeți apărătoarea de baza tijei cu ajutorul celor două șuruburi împreună cu două șaibe elastice (Fig. C).

**OBSERVAȚIE:** Asigurați-vă că apărătoarea este fixată conform ilustrațiilor din Fig. B și C, orice fixare inversată va cauza un mare pericol!

### MONTAREA ȘI REGLAREA MÂNERULUI FRONTAL DE SUSȚINERE

1. Desfaceți tija de blocare din mânerul frontal de susținere și scoateți tija de blocare și piulița fluture din mânerul frontal de susținere (Fig. D).

**OBSERVAȚIE:** Instalați ansamblul barei de siguranță pe mânerul de susținere cu cele două șuruburi atunci când scula este echipată cu capul de coasă pentru iarbă.

**OBSERVAȚIE:** există două tipuri de tije de blocare, cea mai scurtă este pentru capul trimmerului. Cea mai lungă este pentru capul trimmerului de iarbă. Aveți grijă să alegeți tija de blocare corectă când utilizați scula.

RO

|     |                            |     |  |
|-----|----------------------------|-----|--|
| D-1 | Mâner frontal de susținere | D-4 | Bară de siguranță (Numai pentru cap de trimmer de iarbă) |
| D-2 | Bloc de fixare             | D-5 | Tijă de blocare  |
| D-3 | Piuliță fluture            |     |  |

2. Împingeți mânerul frontal de susținere pe axul din fața inelului limitator. Nu-l amplasați niciodată între inelul limitator și zona mânerului posterior (Fig. E).
3. Introduceți blocul de fixare în fanta mânerului (Fig. F).
4. Instalați tija de blocare și strângeți cu piulița fluture. Asigurați-vă că mânerul frontal de susținere este îndreptat în sus și este orientat spre partea superioară a mânerului posterior (Fig. G).
5. Poziționați mânerul frontal de susținere între inelul limitator și etichetă astfel încât brațul dumneavoastră să stea drept în timpul utilizării (Fig. H).
6. Blocați maneta de pe tija de blocare. (Fig. I).

**⚠️ AVERTISMENT:** Scula nu poate fi utilizată fără ca mânerul frontal de susținere să fie bine fixat.

### MONTAREA CURELEI DE UMĂR

Apăsați pe cârligul curelei pentru a-l deschide și fixați-l pe suportul de prindere a curelei de umăr (Fig. J).

## FUNCȚIONAREA

**⚠️ AVERTISMENT:** Purtați întotdeauna ochelari de protecție sau ochelari de protecție cu apărătorii laterale, împreună cu echipament de protecție auditivă. Nerespectarea acestui lucru se poate solda cu proiecția obiectelor în ochi și alte vătămări grave.

Puteți utiliza acest produs în scopurile menționate mai jos:

**Cosire:** utilizare pentru îndepărtarea ierbii și a buruienilor de lângă pereți, garduri, copaci și borduri.

**Tăiere:** utilizare pentru tăierea ierbii greu accesibile cu o mașină normală de tuns iarba.

**OBSERVAȚIE:** Scula trebuie utilizată numai în scopul pentru care a fost proiectată. Orice altă utilizare, de exemplu profilarea peluzelor, este considerată a fi caz de utilizare necorespunzătoare.

### ATAȘAREA/DETAȘAREA SETULUI DE ACUMULATORI

Utilizați numai seturile de acumulatori și încărcătorii din fig. A2.

**Încărcați acumulatorul complet înainte de prima utilizare.**

#### Pentru atașare

Aliniați nervurile de pe acumulator cu fantele de montare și apăsați în jos setul de acumulatori până la auzul unui clic (Fig. K).

#### Pentru detașare

Apăsați pe butonul de eliberare a acumulatorului și scoateți setul de acumulatori precum în Fig. L.

|     |                                     |
|-----|-------------------------------------|
| L-1 | Buton de eliberare a acumulatorului |
|-----|-------------------------------------|

### ȚINEREA TRIMMERULUI CU FIR

Pentru utilizare sigură și mai bună, poziționați cureaua de umăr peste umăr precum în ilustrația din Fig. N. Ajustați cureaua de umăr într-o poziție confortabilă de utilizare. Țineți trimmerul cu fir cu ambele mâini: O mână pe mânerul posterior și o altă mână pe mânerul frontal de operare.

**OBSERVAȚIE:** Capul trimmerului este paralel cu solul la o distanță corectă de tăiere, fără ca operatorul să fie nevoit să se aplece (Fig. N).

Există două moduri de a elibera cureaua. Scoateți-o direct de pe umăr (Fig. O) sau apăsați pe cârligul curelei și detașați-o de pe suportul de prindere a curelei de umăr de pe tijă (Fig. P).



**⚠️ AVERTISMENT:** Cureaua de umăr este și un mecanism de eliberare rapidă în situații periculoase. În caz de urgență, îndepărtați imediat cureaua de pe umăr, indiferent de modul de instalare a curelei.

## PORNIREA/OPRIREA TRIMMERULUI CU FIR (Fig. M)

### Pornirea

Apăsăți în jos maneta de blocare, după care apăsați trăgaciul. Gradul de apăsare al trăgaciului influențează viteza de rotire a firului. Cu cât presiunea de apăsare este mai mare, cu atât va fi și viteza mai mare.

### Oprirea

Eliberați declanșatorul.

**OBSERVAȚIE:** Motorul funcționează numai când sunt apăsat simultan butonul de siguranță și declanșatorul.

### Funcția de reglare a vitezei (Fig. M)

Trimmerul cu fir are două viteze. Poziția „1” este pentru viteză scăzută, iar Poziția „2” este pentru viteză ridicată.

|     |                                    |
|-----|------------------------------------|
| M-1 | Regulator de viteză ridicată/joasă |
| M-2 | Buton de siguranță                 |
| M-3 | Declanșator                        |

## UTILIZAREA TRIMMERULUI CU FIR

Curățați zona de tuns iarba înainte de fiecare utilizare. Îndepărtați toate obiectele, cum ar fi pietre, sticlă spartă, cuie, sârmă sau fire care pot fi aruncate sau se pot încurca în capul de tăiere. Îndepărtați din zonă copiii, trecătorii și animalele de companie. Țineți toți copiii, trecătorii și animalele la o distanță minimă de 15 m; poate exista totuși un risc pentru trecători datorită obiectelor ejectate. Trecătorii trebuie încurajați să poarte ochelari de protecție. Dacă cineva se apropie de dumneavoastră, opriți imediat motorul și capul de tăiere.

### Înainte de fiecare utilizare, verificați scula pentru depistarea pieselor deteriorate/uzate.

Verificați capul cu bobina, apărătoarea și mânerul frontal de operare și înlocuiți piesele care sunt fisurate distorsionate, îndoite sau avariate în vreun fel.

Lama de tăiere a firului de pe muchia apărătoarei se poate toci cu timpul. Se recomandă să o ascuțiți periodic cu o pilă sau să o înlocuiți cu una nouă.

### După fiecare utilizare, curățați trimmerul.

## REGLAREA LUNGIMII FIRULUI DE TĂIERE

Capul trimmerului permite utilizatorului să elibereze mai mult fir fără să oprească motorul. Pe măsură ce firul devine

fragil sau uzat, se poate elibera fir suplimentar prin lovirea ușoară a capului trimmerului de sol în timpul funcționării trimmerului (Fig. Q).

**OBSERVAȚIE:** Eliberarea firului devine mai dificilă pe măsură ce firul devine mai scurt.

**⚠️ AVERTISMENT:** Nu îndepărtați și nu modificați ansamblul lamei de tăiere a firului. Lungimea excesivă a firului poate cauza supraîncălzirea motorului și poate duce la vătămări personale grave.

## ÎNLOCUIREA FIRULUI

**OBSERVAȚIE:** Utilizați firul de nailon de tăiere recomandat cu diametrul de maxim de 2,4mm. Utilizarea unui fir diferit de cel specificat poate duce la supraîncălzirea trimmerului cu fir sau la deteriorarea acestuia.

**⚠️ AVERTISMENT:** Nu utilizați niciodată fir de metal ranforsat, sârmă sau frânghie, etc. Acestea se pot rupe și pot deveni proiectile periculoase.

1. Îndepărtați setul de acumulatori.
2. Îndepărtați firul de tăiere rămas, dacă este nevoie.
3. Tăiați fir de tăiere cu lungimea de 4 m, introduceți firul în gaura de montare din interiorul ochetului (Fig. R). Împingeți și trageți firul din partea opusă până când în ambele laturi ale bobinei firele au aceeași lungime.
4. Apăsăți, în timp ce rotiți ansamblul capacului inferior în direcția săgeții, pentru a înfășura firul pe bobină până când rămân aproximativ 14 cm de fir de fiecare parte (Fig. S).
5. Apăsăți în jos ansamblul apărătoarei inferioare în timp ce instalați firele pentru a derula manual firul și a vă asigura că asamblarea capului de trimmer este corectă.

Când firul de tăiere se rupe din orificiul de ieșire al acestuia sau dacă firul nu este eliberat când capul trimmerului este lovit, urmați pașii de mai jos:

1. Apăsăți pe cele două urechi de detașare de pe capacul superior și scoateți ansamblul capacului inferior extrăgându-l spre exterior (Fig. T și U).
2. Scoateți firul de tăiere din bobină.
3. Ținând cu o mână ansamblul capacului inferior, utilizați cealaltă mână pentru a apuca ansamblul capacului inferior și aliniați urechile de pe capacul superior cu orificiile din ansamblul capacului inferior (Fig. V). Utilizați palma pentru a apăsa ansamblul capacului inferior până când urechile se blochează în capacul superior.
4. Urmați instrucțiunile din „ÎNLOCUIREA FIRULUI” pentru a reîncărca firul de tăiere.

## ÎNLOCUIREA LAMEI CU 3 DINȚI

RO

1. Îndepărtați ansamblul apărătorii inferioare precum în ilustrațiile din Fig. T & U
2. Introduceți stabilizatorul, după care utilizați o cheie tubulară cu impact pentru a slăbi piulița ca în Fig. X1 & X2.
3. Îndepărtați toate componentele cu excepția flanșei interioare și a piuliței (Fig. X3), instalați lama pe axul motorului conform instrucțiunilor din fig. X4.
4. Strângeți bolțul lamei conform instrucțiunilor din fig. X5.

## ÎNȚREȚINEREA

**⚠️ AVERTISMENT:** La depanare, utilizați numai piese de schimb identice. Inspectați și efectuați întreținerea mașinii cu regularitate. Pentru siguranța și fiabilitatea produsului, toate reparațiile trebuie efectuate de către un tehnician de service autorizat.

**⚠️ AVERTISMENT:** Pentru prevenirea rănilor personale grave, scoateți setul de acumulatori din sculă înainte de a depana, curăța, înlocui accesorii detașabile sau de a îndepărta materialul din produs.

**⚠️ ATENȚIE:** Obturarea orificiilor de ventilație va împiedica pătrunderea aerului în carcasa motorului și va provoca supraîncălzirea sau deteriorarea motorului.

RO

## CURĂȚAREA PRODUSULUI

- Curățați scula electrică cu o cârpă umedă, înmuiată în detergent cu acțiune moderată. Nu lăsați niciun lichid să pătrundă în interiorul sculei; nu scufunțați niciodată vreo parte a sculei în vreun lichid.
- Nu utilizați detergenți puternici pe carcasa de plastic sau pe mâner. Acestea pot fi deteriorate de anumite uleiuri parfumate precum brad și lămâie, și de către solvenți precum kerosenul. Umezeala poate cauza un risc de electrocutare. Ștergeți orice urmă de umezeală cu o cârpă uscată.
- Utilizați o perie mică sau o perie cu jet de aer de la un aspirator mic pentru a curăța orificiile de ventilație de pe carcasa posterioară.
- Păstrați în permanență curate orificiile de ventilație din carcasa motorului.

## LUBRIFIEREA ANGRENAJELOR DE TRANSMISIE

Angrenajele de transmisie din carcasa cutiei de viteze trebuie lubrificate periodic cu vaselină pentru angrenaje. Verificați nivelul unsorii din carcasa cutiei de viteze la fiecare 50 de ore de utilizare îndepărtând șurubul de etanșeizare de pe latura carcasei.

Dacă pe flancurile angrenajului nu se vede vaselină, urmați pașii de mai jos pentru a umple cu vaselină pentru angrenaje până la 3/4 din capacitate. Nu umpleți complet angrenajele de transmisie.

1. Țineți trimmerul cu fir pe partea laterală, astfel încât șurubul de etanșeizare să fie îndreptat în sus (Fig. W).
2. Utilizați cheia multifuncțională furnizată pentru a desface și a îndepărta șurubul de etanșeizare.
3. Utilizați o seringă (neinclusă) pentru a injecta o cantitate de unsoare în orificiul șurubului; nu depășiți 3/4 din capacitate.
4. După injectare, strângeți șurubul de etanșeizare.

## DEPOZITAREA PRODUSULUI

- Scoateți setul de acumulatori din trimmerul cu fir când acesta nu este utilizat.
- Curățați scula bine înainte de a o depozita.
- Depozitați produsul într-un loc uscat, bine ventilat, închis cu cheia sau la înălțime, inaccesibil copiilor. Nu depozitați produsul peste sau lângă îngrășăminte, benzină sau alte substanțe chimice.

## Protejarea mediului înconjurător



Nu eliminați echipamentul electric, încărcătorul de acumulator și acumulatorul împreună cu deșeurile menajere! Predați acest produs unui punct de reciclare autorizat sau puneți-l la dispoziția colectării separate. Sculele electrice trebuie returnate unui centru de reciclare ecologic.

## DEPANAREA

| PROBLEMĂ  | CAUZĂ   | SOLUȚIE   |
|---|---|---|
| Trimmerul cu fir nu pornește.                     | <ul style="list-style-type: none"> <li>■ Setul de acumulatori nu este atașat de trimmer.</li> <li>■ Nu există contact electric între trimmerul cu fir și acumulator.</li> <li>■ Setul de acumulatori este descărcat.</li> <li>■ Butonul de siguranță și declanșatorul nu sunt apăstate simultan.</li> </ul>   | <ul style="list-style-type: none"> <li>■ Atașați setul de acumulatori la trimmer.</li> <li>■ Îndepărtați acumulatorul, verificați contactele și reinstalați setul de acumulatori.</li> <li>■ Încărcați setul de acumulatori.</li> <li>■ Apăsați în jos butonul de siguranță și țineți-l apăsat, după care apăsați pe declanșator pentru a porni trimmerul.</li> </ul>   |
| Trimmerul cu fir se oprește în timpul utilizării. | <ul style="list-style-type: none"> <li>■ Apărătoarea nu este montată pe trimmer, având ca rezultat un fir de tăiere prea lung și suprasolicitarea motorului.</li> <li>■ Este utilizat un fir de tăiere gros.</li> <li>■ Axul motorului sau capul trimmerului este blocat cu iarbă.</li> <li>■ Motorul este suprasolicitat.</li> <li>■ Setul de acumulatori sau trimmerul sunt prea fierbinți.</li> <li>■ Setul de acumulatori este deconectat de la sculă.</li> <li>■ Setul de acumulatori este descărcat.</li> </ul> | <ul style="list-style-type: none"> <li>■ Îndepărtați setul de acumulatori și montați apărătoarea pe trimmer.</li> <li>■ Utilizați firul de nailon de tăiere recomandat cu diametrul de maxim 2,4 mm.</li> <li>■ Opriți trimmerul, îndepărtați acumulatorul și curățați iarbă de pe axul motorului și capul trimmerului.</li> <li>■ Scoateți capul trimmerului din iarbă. Motorul își va reveni imediat ce sarcina este îndepărtată. Când tăiați, deplasați capul trimmerului în iarbă și în afara ei pentru a o tăia și îndepărtați maxim 20cm de lungime dintr-o tăiere.</li> <li>■ Lăsați setul de acumulatori sau trimmerul cu fir să se răcească până când temperatura scade sub 67°C.</li> <li>■ Reinstalați setul de acumulatori.</li> <li>■ Încărcați setul de acumulatori.</li> </ul> |

RO

| PROBLEMĂ   | CAUZĂ  | SOLUȚIE  |
|--|--|--|
| Capul trimmerului nu mai avansează fir.  | <ul style="list-style-type: none"> <li>■ Axul motorului sau capul trimmerului este blocat cu iarbă.</li> <li>■ Pe bobină nu mai este suficient fir.</li> <li>■ Capul trimmerului este murdar.</li> <li>■ Firul este încurcat pe bobină.</li> <li>■ Firul este prea scurt.</li> </ul> | <ul style="list-style-type: none"> <li>■ Oprii trimmerul, îndepărtați acumulatorul și curățați iarbă de pe axul motorului și capul trimmerului.</li> <li>■ Îndepărtați acumulatorul și înlocuiți firul de tăiere; respectați instrucțiunile din capitolul „ÎNLOCUIREA FIRULUI” din acest manual.</li> <li>■ Îndepărtați acumulatorul și curățați capul trimmerului.</li> <li>■ Îndepărtați acumulatorul, îndepărtați firul de pe capul trimmerului și reînfașurați-l; respectați instrucțiunile din capitolul „REÎNCĂRCAREA FIRULUI DE TĂIERE” din acest manual.</li> <li>■ Îndepărtați acumulatorul și scoateți firele manual în timp ce apăsați alternativ în jos și eliberați capul trimmerului.</li> </ul> |
| Iarbă înfășurată în jurul capului trimmerului și al carcasei motorului.                        | <ul style="list-style-type: none"> <li>■ Se taie iarbă înaltă la nivelul solului.</li> </ul>   | <ul style="list-style-type: none"> <li>■ Tăiați iarbă înaltă de sus în jos, îndepărtând maxim 20cm cu fiecare tăiere pentru a preveni înfășurarea.</li> </ul>  |
| Fisuri pe capul trimmerului sau ansamblul capacului inferior se desprinde de capacul superior. | <ul style="list-style-type: none"> <li>■ Capul trimmerului este uzat.</li> </ul>   | <ul style="list-style-type: none"> <li>■ Înlocuiți imediat capul trimmerului, iar operația trebuie efectuată de un tehnician de service calificat.</li> </ul>  |

**RO**

## GARANȚIE

### POLITICA PRIVIND GARAȚIA EGO

Vă rugăm să consultați site-ul [egopowerplus.com](http://egopowerplus.com) pentru termenii și condițiile complete ale politicii privind garanția EGO.

## PREBERITE VSA NAVODILA!



### PREBERITE PRIROČNIK Z NAVODILI ZA UPORABO

**⚠ OPOZORILO:** Tveganje zaradi preostalega toka! Pred uporabo izdelka se morajo osebe z elektronskimi napravami, kot je srčni spodbujevalnik, posvetovati s svojim zdravnikom. Delovanje električne opreme v bližini srčnega spodbujevalnika lahko povzroči motnje ali okvaro srčnega spodbujevalnika.



Varnostno opozorilo



Nosite zaščito za oči – pri upravljanju tega izdelka vedno nosite zaščitna očala ali varnostna očala s stransko zaščito in zaščito za celoten obraz.



Nosite zaščito za ušesa – pri upravljanju tega izdelka vedno nosite zaščito za ušesa.



Uporabljajte zaščito za glavo – za zaščito glave nosite odobreno varnostno čelado.



Ne nameščajte okroglih rezil.



Širina – največja širina košnje kosilnice z nitko



Poskrbite, da bodo drugi ljudje in hišni ljubljenci vsaj 15 m stran od kosilnice z nitko, ko je v uporabi.



Zajamčena raven zvočne moči. Emisije hrupa v okolico so v skladu z direktivo Evropske skupnosti.



Odpadnih električnih izdelkov ne odlagajte med gospodinjne odpadke. Odnosite jih na pooblaščen obrat za recikliranje.

$n_0$

Hitrost brez obremenitve-Vrtilna hitrost brez obremenitve



Enosmerni tok

## VARNOSTNI SIMBOLI

**⚠ OPOZORILO:** delovanje katerega koli električnega orodja lahko povzroči metanje tujkov v vaše oči, kar lahko povzroči resne poškodbe očesa. Pred začetkom dela z električnim orodjem vedno nosite zaščitna očala ali varnostna očala s stranskimi zaščitami in po potrebi tudi ščit za celoten obraz. Priporočamo vam uporabo varnostne maske Wide Vision Safety Mask za uporabo preko očal ali standardnih varnostnih očal s stransko zaščito..



Za zmanjšanje nevarnosti poškodb je pomembno, da uporabnik prebere priročnik z navodili za uporabo.



Uporabljajte zaščitno obutev – med uporabo te opreme nosite nedrsečo zaščitno obutev.



Uporabljajte zaščitne rokavice – pri rokovanju z rezilom ali zaščito rezila roke zaščitite z rokavicami.



Bodite pozorni na sunek rezila – upravljavca opozorite na nevarnost sunka rezila.



Premer – premer najlonске nitke



Sunjeni predmeti se lahko odbijejo in povzročijo telesno poškodbo ali poškodbo lastnine. Poskrbite, da bodo drugi ljudje in hišni ljubljenci ustrezno oddaljeni od motorne kose, ko je ta v uporabi.



Naprave ne uporabljajte v dežju ali je puščajte zunaj, ko dežuje.



Ta izdelek je skladen z veljavnimi direktivami ES.

V Napetost

.../min Na minuto

kg Kilogram

SL

## TEHNIČNI PODATKI

|  |                             |  |
|--|-----------------------------|--|
|  | Glava kosilnice             | 3-zobo rezilo                                  |
| Napetost   | 56 V                        | 56 V   |
| Priporočena delovna temperatura:   | Od 0 °C do 40 °C            |  |
| Priporočena temperatura za shranjevanje:   | Od -20 °C do 70 °C          |  |
| Optimalna temperatura polnjenja  | Od 5 °C do 40 °C            |  |
| Hitrost brez obremenitve   | 5000/6000 min <sup>-1</sup> | 5000/6000 min <sup>-1</sup>                    |
| Vrsta nitke za košnjo  | 2,4mm                       | /  |
| Rezilo   | /                           | ABB1203  |
| Širina košnje  | 38 cm                       | 30cm   |
| Teža (brez akumulatorja)   | 4,21Kg                      | 4,45 kg  |
| Izmerjena raven zvočne moči L <sub>WA</sub>                                      | 94,6 dB(A)<br>K=1,8 dB(A)   | 96,5 dB(A)<br>K=1,88 dB(A)                     |
| Raven zvočnega tlaka v ušesu upravljavca L <sub>PA</sub>                         | 81,7 dB(A)<br>K=2,5 dB(A)   | 76,5 dB(A)<br>K=3 dB(A)                        |
| Zajamčena raven zvočnega tlaka L <sub>WA</sub> (v skladu z direktivo 2000/14/ES) | 96 dB(A)                    | 98 dB(A)                                       |
| Vibration a <sub>h</sub>   | Sprednji ročaj za prijem    | 3,2 m/s <sup>2</sup><br>K=1,5 m/s <sup>2</sup> |
|  | Zadnji ročaj                | 2,3 m/s <sup>2</sup><br>K=1,5 m/s <sup>2</sup> |
|  |                             | 2,8 m/s <sup>2</sup><br>K=1,6 m/s <sup>2</sup> |
|  |                             | 3,1 m/s <sup>2</sup><br>K=1,6 m/s <sup>2</sup> |

SL

- Nazivna skupna vrednost tresljajev je bila izmerjena v skladu s standardno preskusno metodo in jo je mogoče uporabiti za primerjavo enega orodja z drugim.
- Nazivno skupno vrednost tresljajev je mogoče uporabiti tudi za predhodno oceno izpostavljenosti.

**OPOMBA:** oddajanje tresljajev med dejansko uporabo električnega orodja se lahko razlikuje od nazivne vrednosti, v kateri se uporablja orodje. Upravljevec se lahko zaščiti tako, da uporablja rokavice in naušnike, primerne dejanskim pogojem uporabe.

## OPIS

### SPOZNAJTE SVOJO KOSILNICO Z NITKO (slika A1)

1. Mejni obroč
2. Sprožilec

3. Zadnji ročaj
4. Dovod zraka
5. Gumb za odklepanje
6. Stikalo za preklop hitrosti
7. Držalo ramenskega pasu
8. Nastavljiv sprednji ročaj za prijem
9. Ramenski pas
10. Večnamenski ključ
11. Imbusni ključ
12. Glava kosilnice (udarna glava)
13. Nitka za košnjo
14. Jeziček za sprostitvev
15. Rezilo nitke za košnjo
16. Varovalo
17. Mehanizem za izmet
18. Električni kontakti
19. Zapah
20. Zaščitna gumijasta blazinica
21. Gumb za sprostitvev akumulatorja
22. Varnostni pregradni drog (samo za glavo motorne kose)
23. Pritrdilni drog za varnostni pregradni drog (samo za glavo motorne kose)
24. Zunanja prirobnica (samo za glavo motorne kose)
25. Matica (samo za glavo motorne kose)
26. Vijaki (samo za glavo motorne kose)

## VSEBINA PAKETA

| IME DELA                          | KOLIČINA |
|-----------------------------------|----------|
| Kosilnica z nitko                 | 1        |
| Varovalo                          | 1        |
| Sklop sprednjega ročaja za prijem | 1        |
| Imbusni ključ                     | 1        |
| Večnamenski ključ                 | 1        |
| Ramenski pas                      | 1        |
| Priročnik z navodili za uporabo   | 1        |
| Pritrdilni drog                   | 1        |
| Zunanja prirobnica                | 1        |
| Matica                            | 1        |
| Vijak                             | 2        |

## SESTAVLJANJE

### NAMEŠČANJE VAROVALA

1. Na ščitniku odvijte in odstranite dva vijaka (slika B).
2. Odprtine za montažo varovala poravnajte z odprtinami sklopa in nato varovalo zaklenite na podnožje gredi z dvema vijakoma in z dvema vzmetnima podložkama (slika C).

**OPOMBA:** prepričajte se, da je ščitnik pritrjen v skladu s slikama B in C. Kakršna koli drugačna namestitve bo povzročila veliko nevarnost!

### MONTAŽA IN PRILAGAJANJE SPREDNJEGA ROČAJA ZA PRIJEM

1. Sprostite pritrdilni drog na sprednjem ročaju za prijem ter odstranite pritrdilni drog in krilno matico s sprednjega ročaja za prijem (slika D).

**OPOMBA:** na krožni ročaj s pomočjo dveh vijakov namestite sklop varnostnega pregradnega droga, kadar je orodje opremljeno z glavo motorne kose.

**OPOMBA:** obstajata dve vrsti pritrdilnega droga, krajši je namenjen za uporabo z glavo kosilnice z nitko. Daljši je namenjen uporabi z glavo motorne kose. Pri uporabi orodja pazite, da boste izbrali pravi pritrdilni drog.

|     |                          |     |   |
|-----|--------------------------|-----|---|
| D-1 | Sprednji ročaj za prijem | D-4 | Varnostni pregradni drog (samo za glavo motorne kose) |
| D-2 | Pritrdilni blok          | D-5 | Pritrdilni drog                                       |
| D-3 | Krilna matica            |     |   |

2. Krožni ročaj potisnite na gred na sprednji strani mejnega obroča. Nikoli ga ne namestite med mejni obroč in območje zadnjega ročaja (slika E).
3. Vstavite pritrdilni blok v režo ročaja (slika F).
4. Namestite pritrdilni drog in ga privijte s krilno matico. Preverite, ali je nastavljen sprednji ročaj za prijem obrnjen navzgor v smeri zgornjega dela zadnjega ročaja (slika G).
5. Sprednji ročaj za prijem namestite med mejni obroč in oznako tako, da bo vaša sprednja roka med delom iztegnjena (slika H).
6. Zaklenite ročico pritrdilnega droga. (Slika I).

**⚠ OPOZORILO:** orodja ni mogoče uporabiti, če sprednji ročaj za prijem ni dobro pritrjen.

### NAMEŠČANJE RAMENSKEGA PASU

Pritisnite kavelj pasu, da ga odprete, in ga pričvrstite na držalo ramenskega pasu (slika J).

## UPRAVLJANJE

**⚠ OPOZORILO:** poleg zaščite za sluh vedno uporabljajte tudi zaščitna očala ali varnostna očala s stranskim varovalom. Če jih ne boste uporabili, bi lahko prišlo do resnih poškodb zaradi predmetov, ki bi prileteli v oči in drugih resnih poškodb.

Ta izdelek lahko uporabljate za naslednje namene:

**Obrezovanje:** uporablja se za odstranjevanje trave in plevela ob stenah, ograjah, drevskih in mejah.

**Košnja:** uporablja se za košnjo trave, ki jo je z običajno kosilnico težko doseči.

**OPOMBA:** orodje lahko uporabljate samo za predvideni namen. Kakršna koli druga uporaba, kot je obrezovanje robov, velja za nepravilno uporabo.

### PRIKLJUČITEV/ODKLOP BATERIJSKEGA SKLOPA

Napravo uporabljajte le z akumulatorskimi baterijami in polnilniki, navedenimi v sliki A2.

### Pred prvo uporabo popolnoma napolnite baterijski sklop

#### Napotki za priključitev

Rebra baterije poravnajte z režami za namestitve in baterijski sklop potisnite navzdol, da zaslišite »klik« (slika K).

#### Napotki za odklop

Pritisnite gumb za sprostitve baterije in izvlecite baterijski sklop, kot prikazuje slika L.

|     |                             |
|-----|-----------------------------|
| L-1 | Gumb za sprostitve baterije |
|-----|-----------------------------|

SL

### DRŽANJE KOSILNICE Z NITKO

Za varno in boljše delovanje si preko rame nadenite ramenski pas, kot je prikazano na sliki N. Ramenski pas nastavite v udoben položaj za upravljanje. Kosilnico z nitko držite z obema rokama: z eno roko držite zadnji ročaj, z drugo pa sprednji ročaj za prijem.

**OPOMBA:** Glava kosilnice z nitko je vzporedna s tlemi na primerni razdalji za košnjo, pri čemer se upravljavec ne sklanja preko kosilnice (slika N).

Obstajata dva načina za sprostitve pasu. Neposredno ga snemite z ramena (slika O) ali pa pritisnite kavelj pasu in ga odstranite od držala ramenskega pasu, ki je pritrjen na gred (slika P).

**⚠ OPOZORILO:** Ramenski pas je tudi hiter mehanizem za sprostitve v nevarnih situacijah. V njihovih primerih ga nemudoma snemite z rame, ne glede na to, kako je vstavljen.

## ZAGON/ZAUSTAVITEV KOSILNICE Z NITKO (slika M)

### Zagon

Vzvod za odklepanje pritisnite navzdol, nato pritisnite sprožilec. Drugačen pritisk na sprožilcu se odrazi v spremenljivi hitrosti vrtenja nitke za košnjo. Močnejši pritisk pomeni višjo hitrost.

### Zaustavitev

sprostite sprožilec.

**OPOMBA:** motor teče le, kadar pritisnete na gumb za odklepanje in sprožilec.

### Funkcija prilagoditve hitrosti (slika M)

Kosilnica z nitko ima dve hitrosti. Položaj »1« je za nizko hitrost, položaj »2« pa za visoko hitrost.

|     |                             |
|-----|-----------------------------|
| M-1 | Stikalo za preklon hitrosti |
| M-2 | Gumb za odklepanje          |
| M-3 | Sprožilec                   |

## UPORABA KOSILNICE Z NITKO

Pred vsako uporabo počistite območje košnje. Odstranite vse predmete, kot so kamni, zdrobljeno steklo, žebli, žica ali vrvi, ki jih lahko vrže ali se zapletejo v priključek za košnjo. Na območju naj ne bo otrok, opazovalcev in hišnih ljubljencev. Otroci, opazovalci in hišni ljubljenci naj bodo oddaljeni vsaj 15 m. Še vedno lahko obstaja nevarnost letečih predmetov za opazovalce. Prisotni naj uporabljajo tudi zaščito za oči. Če se vam nekdo približa, takoj ustavite motor in priključek za košnjo.

SL

### Pred vsako uporabo napravo pregledjte za poškodovane/obrabljene dele.

Pregledjte udarno glavo, ščitnik in sprednji ročaj za prijem ter zamenjajte dele, ki so razpokani, zviti, upognjeni ali kakor koli poškodovani.

Rezilo z nitko na robu ščitnika lahko sčasoma postane topo. Priporočljivo je, da ga redno ostrite s pilo ali ga zamenjate z novim rezilom.

### Kosilnico z nitko po vsaki uporabi očistite.

### PRILAGAJANJE DOLŽINE NITKE

Glava kosilnice z nitko upravljavcu omogoča sprostitve več nitke za košnjo brez zaustavitve motorja. Ko se nitka scefra ali obrabi, lahko sprostite dodatno nitko tako, da narahlo potolčete z glavo kosilnice ob tla med delovanjem kosilnice (slika Q).

**OPOMBA:** ko bo nitka postala krajša, bo sproščanje nitke postalo težje.

**⚠ OPOZORILO:** sklopa rezila ne odstranjujte ali

spreminjajte. Prevelika dolžina nitke bo povzročila pregrevanje motorja in lahko povzroči resno telesno poškodbo.

### ZAMENJAVA NITKE

**OPOMBA:** vedno uporabljajte priporočeno najlonsko nitko za košnjo s premerom, ki ni večji od 2,4 mm. Uporaba drugačne nitke lahko povzroči pregrete ali poškodbe kosilnice z nitko.

**⚠ OPOZORILO:** nikoli ne uporabljajte nitke s kovinsko ojačitvijo, žice, vrvi itd. Lahko se odrgajo in postanejo nevarne.

1. Odstranite akumulator.
2. Če je treba, odstranite preostalo nitko za košnjo.
3. Odrežite 4 metre dolgo nitko za rezanje in jo vstavite v odprtino za namestitve v vstavitveni odprtini (slika R). Potisnite in na drugi strani povlecite nitko ven, tako da bosta na obeh straneh vretena enaki dolžini nitke.
4. Pritisnite, hkrati pa vrtite spodnji sklop pokrova v smeri puščice, da nitko navijete na vreteno in je na vsaki strani vretena približno 14 cm nitke (slika S).
5. Sklop spodnjega pokrova potiskajte navzdol, medtem ko ročno vlečete nitko za ročno namestitve nitke, in da preverite pravilno namestitve glave kosilnice z nitko.

Če se nitka za košnjo odloži iz izhoda za nitko ali če se nitka ne sprosti, ko potolčete glavo kosilnice z nitko, sledite spodnjim korakom:

1. Pritisnite jezičke za sprostitve zgornjega pokrova in odstranite spodnji sklop pokrova tako, da ga izvlečete naravnost ven (sliki T in U).
2. Nitko za košnjo odstranite z vretena.
3. Z eno roko pridržite spodnji sklop pokrova, z drugo roko pa primite spodnji sklop pokrova in poravnajte zaklepe na zgornjem pokrovu z odprtini v spodnjem sklopu pokrova (slika V). Z dlanjo pritisnite na spodnji sklop pokrova, da se zaklepi zaklenejo z zgornjim pokrovom.
4. Za ponovno namestitve nitke za košnjo sledite navodilom v razdelku »ZAMENJAVA NITKE«.

### ZAMENJAVA 3-ZOBEGA REZILA

1. Odstranite sklop spodnjega pokrova, kot je prikazano na slikah T in U.
2. Vstavite stabilizator in nato z udarnim nasadnim ključem odvijte matico, kot je prikazano na slikah X1 in X2.
3. Odstranite vse dele, razen notranje prirobnice in matice (slika X3) in namestite rezilo na gred motorja, kot je prikazano na sliki X4.
4. Privijte vijak rezila, kot je prikazano na sliki X5.



## VZDRŽEVANJE

**⚠ OPOZORILO:** za popravila uporabljajte le identične nadomestne dele. Stroj redno pregledujte in vzdržujte. Za zagotovitev varnosti in zanesljivosti mora vsa popravila izvesti usposobljen serviser.

**⚠ OPOZORILO:** Da preprečite resno telesno poškodbo, pred servisiranjem, čiščenjem, zamenjavo priključkov ali odstranjevanjem materiala iz enote odstranite baterijski sklop iz orodja.

**⚠ POZOR:** Če bodo na zračnih odprtinah ovire, bodo te ovirale tok zraka v ohišje motorja, kar bo privedlo do pregrevanja ali poškodbe motorja.

## ČIŠČENJE ENOTE

- Enoto očistite z vlažno krpo in blagim detergentom. Ne dovolite, da bi tekočina vstopila v orodje. Nobenega dela orodja nikoli ne potopite v katero koli tekočino.
- Za čiščenje plastičnega ohišja ali ročaja ne uporabljajte močnih čistilnih sredstev. Poškodujejo jih lahko določena aromatična olja, kot sta olje bora in limone, ter topila, kot je kerozin. Vlaga prav tako lahko ustvari nevarnost električnega udara. Vlago obrišite z mehko in suho krpo.
- Zračne odprtine v zadnjem delu ohišja očistite z majhno krtačo ali s krtačno majhnega sesalnika.
- Poskrbite, da bodo zračne odprtine motorja vedno prosto prehodne.

## MAZANJE ZOBNIKOV

Zobnike v ohišju je treba redno mazati z mazivom za zobnike. Približno vsakih 50 ur delovanja preverite raven maziva tako, da odstranite tesnilni vijak ob strani ohišja.

Če ob strani zobnikov ne vidite maziva, sledite spodnjim korakom in ohišje napolnite z mazivom do 3/4 prostornine. Zobnikov ne napolnite povsem.

1. Kosilnico z nitko obrnite na stran tako, da je tesnilni vijak obrnjen navzgor (slika W).
2. S priloženim večnamenskim ključem odvijte tesnilni vijak in ga odstranite.
3. Z brizgalko za mazivo (ni priložena) vbrizgajte nekaj maziva v luknjo vijaka. Ne napolnite več kot 3/4 prostornine.
4. Po vbrizganju privijte tesnilni vijak.

## SHRANJEVANJE ENOTE

- Ko kosilnice z nitko ne uporabljate, odstranite akumulator.

- Orodje pred shranjevanjem temeljito očistite.
- Enoto shranjujte v suhem in dobro zračenem prostoru, ki ga je mogoče zakleniti ali je dvignjen, da ne bo na dosegu otrok. Enote ne shranjujte na ali v bližini gnojil, bencina ali drugih kemikalij.

## Varovanje okolja



Električne opreme, iztrošene baterije in polnilnika ne odvrzite med gospodinjске odpadke. Izdelek odnesite na pooblaščen obrat za recikliranje in ga zavržite ločeno. Električna orodja je treba odnesti na obrat za recikliranje in ga reciklirati na okolju prijazen način.

SL

## ODPRAVLJANJE TEŽAV

| TEŽAVA                                  | VZROK  | REŠITEV  |
|---|--|--|
| Kosilnice z nitko ni mogoče zagnati.    | <ul style="list-style-type: none"> <li>■ Akumulator ni nameščen v kosilnici z nitko.</li> <li>■ Med kosilnico z nitko in baterijo ni električnega stika.</li> <li>■ Akumulator je izprazenjen.</li> <li>■ Gumb za odklepanje in sprožilec nista pritisnjena hkrati.</li> </ul>   | <ul style="list-style-type: none"> <li>■ Namestite akumulator v kosilnico z nitko.</li> <li>■ Odstranite baterijo, preverite kontakte in znova namestite akumulator.</li> <li>■ Napolnite akumulator.</li> <li>■ Gumb za odklepanje pritisnite navzdol in ga pridržite, nato pritisnite sprožilec, da vključite kosilnico z nitko.</li> </ul>  |
| Kosilnica z nitko se med košnjo ustavi. | <ul style="list-style-type: none"> <li>■ Ščitnik ni nameščen na kosilnici z nitko, zato prihaja do predolge nitke za košnjo predolga in do preobremenjenosti motorja.</li> <li>■ Uporabljena je debela nitka za košnjo.</li> <li>■ Okoli gredi motorja ali glave kosilnice z nitko je ovita trava.</li> <li>■ Motor je preobremenjen.</li> <li>■ Akumulator ali kosilnica z nitko meje je prevroča.</li> <li>■ Akumulator ni povezan z orodjem.</li> <li>■ Akumulator je izprazenjen.</li> </ul> | <ul style="list-style-type: none"> <li>■ Odstranite akumulator in pritrdite ščitnik na kosilnico z nitko.</li> <li>■ Uporabljajte priporočeno najlonsko nitko za košnjo s premerom, ki ni večji od 2,4 mm.</li> <li>■ Zaustavite kosilnico z nitko, odstranite akumulator, nato pa odstranite travo z gredi motorja in glave kosilnice z nitko.</li> <li>■ Odstranite glavo kosilnice z nitko iz trave. Motor bo zopet deloval, ko boste odpravili obremenitev. Med košnjo glavo kosilnice z nitko pomikajte v travo in iz nje ter z enim rezom ne odstranite več kot 20 cm dolžine.</li> <li>■ Akumulator ali kosilnico z nitko ohladite do temperature, ki je nižja od 67 °C.</li> <li>■ Ponovno namestite akumulator.</li> <li>■ Napolnite akumulator.</li> </ul> |

SL

| TEŽAVA  | VZROK  | REŠITEV  |
|---|--|--|
| Glava kosilnice z nitko ne podaja nitke.  | <ul style="list-style-type: none"> <li>■ Okoli gredi motorja ali glave kosilnice z nitko je ovita trava.</li> <li>■ Na vretenu ni dovolj nitke.</li> <li>■ Glava kosilnice z nitko je umazana.</li> <li>■ Nitka je zavozlana na vretenu.</li> <li>■ Nitka je prekratka.</li> </ul> | <ul style="list-style-type: none"> <li>■ Zaustavite kosilnico z nitko, odstranite akumulator, nato pa očistite gred motorja in glavo kosilnice z nitko.</li> <li>■ Odstranite akumulator in zamenjajte nitko za košnjo. Upoštevajte navodila v razdelku »ZAMENJAVA NITKE« v tem priročniku.</li> <li>■ Odstranite akumulator in očistite glavo kosilnice z nitko.</li> <li>■ Odstranite akumulator, odstranite nitko iz glave kosilnice z nitko in jo znova navijte. Upoštevajte navodila v razdelku »VNOVIČNO NAVIJANJE NITKE ZA KOŠNJO« v tem priročniku.</li> <li>■ Odstranite akumulator in ročno povlecite nitko, medtem ko izmenično pritiskate in sproščate glavo obrezovalnika.</li> </ul> |
| Trava se ovije okoli glave kosilnice in ohišja motorja.                               | <ul style="list-style-type: none"> <li>■ Košnja visoke trave pri tleh.</li> </ul>  | <ul style="list-style-type: none"> <li>■ Visoko travo kosite z vrha navzdol in je naenkrat ne pokosite več kot 20 cm, da preprečite ovijanje.</li> </ul>   |
| Razpoke na glavi kosilnice ali pa se spodnji sklop pokrova loči od zgornjega pokrova. | <ul style="list-style-type: none"> <li>■ Glava kosilnice z nitko je izrabljena.</li> </ul>   | <ul style="list-style-type: none"> <li>■ Glavo kosilnice z nitko naj nemudoma zamenja kvalificiran serviser.</li> </ul>  |

## GARANCIJA

### GARANCIJSKA POLITIKA DRUŽBE EGO

Za popolne pogoje garancijske politike družbe EGO obiščite spletno mesto [egopowerplus.com](http://egopowerplus.com).

SL

## PERSKAITYKITE VISĄ INSTRUKCIJĄ!



### PERSKAITYKITE NAUDOJIMO INSTRUKCIJĄ

**⚠️ ĮSPĖJIMAS:** Liekamasis pavojus! Žmonėms, kuriems implantuoti elektroniniai prietaisai, pvz., širdies stimulatoriai, prieš pradėdami naudoti šį gaminį, reikia pasitarti su savo gydytoju (-ais). Arti širdies stimulatoriaus veikianti elektros įranga gali trikdyti širdies stimulatoriaus veikimą arba jį sugadinti.



Saugos įspėjimas



Dėvėkite akių apsaugos priemones naudodami šį gaminį, visada užsidėkite apsauginius akinius arba apsauginius akinius su šonine apsauga ar visą veidą dengiantį skydelį.



Dėvėkite ausų apsaugos priemones dirbdami su šiuo gaminiu visada užsidėkite apsaugines ausines.



Užsidėkite galvos apsaugos priemonę galvai apsaugoti užsidėkite patvirtintą apsauginį šalną.



Nenaudokite apskritų pjovimo diskų.



Plotis: didžiausiasis žoliapjovės su lyneliu pjovimo tako plotis.



Pjaudami žoliapjove su lyneliu, neleiskite kitiems žmonėms ir naminiams gyvūnams prisitarti arčiau nei per 15 metrų.



Garantuojamas garso galios lygis. Triukšmo sklaida į aplinką atitinka Europos Bendrijos direktyvą.



Elektros prietaisų atliekas draudžiama utilizuoti kartu su buitinėmis atliekomis. Perduoti įgalio-tam perdirbėjui.

$n_0$

Sūčiai be apkrovos-Sukimosi greitis be apkrovos



Nuolatinė elektros srovė

## SAUGOS SIMBOLIAI

**⚠️ ĮSPĖJIMAS:** Bet koks elektrinis įrankis naudojimo metu gali išsviesti šiukšles, kurios gali pataikyti į akis ir sunkiai jas sužaloti. Prieš pradėdami naudoti elektrinį įrankį, visada užsidėkite apsauginius akinius arba apsauginius akinius su šonine apsauga ir, jei reikia, visą veidą dengiantį skydelį. Rekomenduojame naudoti platų matymo lauką užtikrinančią apsauginę kaukę, dedamą ant akinių, arba standartinius apsauginius akinius su šonine apsauga.



Norėdamas sumažinti susižalojimo pavojų, naudotojas privalo perskaityti naudojimo instrukciją.



Avėkite apsauginę avalynę naudodami šį gaminį mūvėkite neslidžią avalynę.



Mūvėkite apsaugines pirštines tvarkydami peilį ar jo apsaugą, apsaugokite rankas pirštinėmis.



Saugokitės pjovimo galvutės atatranksos įspėkite operatorių apie peilio atoveiksčio keliamą pavojų.



Skersmuo: nailoninio pjovimo lynelio skersmuo.



Išsviesti svetimkūniai gali atšokti ir sužaloti žmones ar sugadinti turtą. Kiti žmonės ir naminiai gyvūnai turi atsitraukti toliau nuo naudojamos žoliapjovės.



Nenaudokite lyjant ir nepalikite lauke per lietu.



Šis gaminytis atitinka taikomas EB direktyvas.

V |tampa

.../min Per minutę

kg Kilogramai

LT

## TECHNINIAI DUOMENYS

|   |                             |  |  |
|---|-----------------------------|--|--|
|   | Žoliapjovės galvutė         | Tridentis peilis                               |  |
| Įtampa  | 56 V ---                    | 56 V ---                                       |  |
| Rekomenduojama darbinė temperatūra:                                 | 0°C-40°C                    |  |  |
| Rekomenduojama sandėliavimo temperatūra:                            | -20°C-70°C                  |  |  |
| Optimali įkrovimo temperatūra                                       | 5°C-40°C                    |  |  |
| Sūkiai be apkrovos  | 5000/6000 min <sup>-1</sup> | 5000/6000 min <sup>-1</sup>                    |  |
| Pjovimo lynelio tipas   | 2,4mm                       | /  |  |
| Pjovimo peilis  | /                           | ABB1203  |  |
| Pjovimo plotis  | 38 cm                       | 30cm   |  |
| Svoris (be sudėtinės baterijos)                                     | 4,21Kg                      | 4,45 kg  |  |
| Išmatuotas garso galios lygis L <sub>WA</sub>                       | 94,6 dB(A)<br>K=1,8 dB(A)   | 96,5 dB(A)<br>K=1,88 dB(A)                     |  |
| Garso slėgio lygis ties operatoriaus ausimi L <sub>PA</sub>         | 81,7 dB(A)<br>K=2,5 dB(A)   | 76,5 dB(A)<br>K=3 dB(A)                        |  |
| Garantuojamas garso galios lygis L <sub>WA</sub> (pagal 2000/14/EB) | 96 dB(A)                    | 98 dB(A)                                       |  |
| Vibracija a <sub>h</sub>  | Priekinė pagalbinė rankena  | 3,2 m/s <sup>2</sup><br>K=1,5 m/s <sup>2</sup> | 2,8 m/s <sup>2</sup><br>K=1,6 m/s <sup>2</sup> |
|   | Galinė rankena              | 2,3 m/s <sup>2</sup><br>K=1,5 m/s <sup>2</sup> | 3,1 m/s <sup>2</sup><br>K=1,6 m/s <sup>2</sup> |

- Nurodyta bendroji vibracijos vertė išmatuota taikant standartinį bandymo metodą, todėl pagal ją galima palyginti skirtingus įrankius.
- Nurodytą bendrąją vibracijos vertę taip pat galima naudoti pirminiam poveikio vertinimui.

**PASTABA:** Naudojant įrenginį realiomis sąlygomis, sklaidžiamos vibracijos stiprumo vertė gali skirtis nuo nurodytos. Kad apsaugotų dirbdamas realiomis sąlygomis, naudotojas turi mūvėti pirštines ir naudoti klausos apsaugos priemones.

## APRAŠYMAS

PAŽINKITE SAVO ŽOLIAPJOVĘ SU LYNELIU (A1 pav.)

1. Tarpinis žiedas
2. Jungiklis
3. Galinė rankena
4. Oro įsiurbimo anga
5. Blokuotės išjungiklis
6. Didelio ir mažo greičio jungiklis
7. Peties diržo pakaba
8. Reguliuojamoji priekinė pagalbinė rankena
9. Peties diržas
10. Universalus veržliaraktis
11. Šešiabriaunis raktas
12. Žoliapjovės galvutė (lynelis paduodamas stuktelėjus galvutę į žemę)
13. Pjovimo lynelis
14. Atlaisvinimo auselė
15. Pjovimo lynelio nukirtimo peilis
16. Apsauga
17. Išstūmimo mechanizmas
18. Elektros kontaktai
19. Fiksatorius
20. Apsauginė guminė trinkelė
21. Baterijos atjungimo mygtukas
22. Apsauginis ribotuvas (tik krūmapjovės galvutei)
23. Fiksavimo kaištis apsauginiam ribotuvui (tik krūmapjovės galvutei)
24. Išorinė jungė (tik krūmapjovės galvutei)
25. Veržlė (tik krūmapjovės galvutei)
26. Varžtai (tik krūmapjovės galvutei)

LT

## PAKUOTĖS TURINIO SĄRAŠAS

| DALIES PAVADINIMAS                   | KIEKIS |
|--------------------------------------|--------|
| Žoliapjovė su lyneliu                | 1      |
| Apsauga                              | 1      |
| Priekinės pagalbinės rankenos blokas | 1      |
| Šešiabriaunis raktas                 | 1      |
| Universalus veržliaraktis            | 1      |
| Peties diržas                        | 1      |
| Naudojimo instrukcija                | 1      |
| Fiksavimo kaištis                    | 1      |
| Išorinė jungė                        | 1      |
| Veržlė                               | 1      |

|         |   |
|---------|---|
| Varžtas | 2 |
|---------|---|

## SURINKIMAS

### APSAUGOS MONTAVIMAS

1. Išsukite abu apsaugos varžtus (B pav.).
2. Įtaikykite apsaugos tvirtinimo skyles į bloko skyles ir pritvirtinkite apsaugą prie veleno pagrindo dviem varžtais kartu su dviem spyruoklinėmis poveržlėmis (C pav.).

**PASTABA:** Apsauga turi būti pritvirtinta, kaip parodyta B ir C paveiksluose. Sumontavus atvirkščiai kyla didelis pavojus!

### PRIEKINĖS PAGALBINĖS RANKENOS MONTAVIMAS IR REGULIAVIMAS

1. Atsukite sparnuotąją veržlę nuo fiksavimo kaiščio ir ištraukite kaištį iš priekinės pagalbinės rankenos (D pav.).

**PASTABA:** Kai ant įrankio yra uždėta krūmapjovės galvutė, ant lenktos rankenos sumontuokite apsauginį ribotuva.

**PASTABA:** yra dviejų rūšių fiksavimo kaiščiai. Trumpesnis yra skirtas žoliapjovės galvutei. Ilgesnis yra skirtas krūmapjovės galvutei. Būkite atidūs ir pasirinkite tinkamą fiksavimo kaištį.

|     |                            |     |   |
|-----|----------------------------|-----|---|
| D-1 | Priekinė pagalbinė rankena | D-4 | Apsauginis ribotuvas (tik krūmapjovės galvutei) |
| D-2 | Fiksavimo kaladėlė         | D-5 | Fiksavimo kaištis                               |
| D-3 | Sparnuotoji veržlė         |     |   |

2. Užmaukite priekinę rankeną ant veleno priešais tarpinį žiedą. Niekada jos neuždėkite tarp tarpinio žiedo ir galinės rankenos (E pav.).
3. Įstatykite fiksavimo kaladėlę į rankenos angą (F pav.).
4. Įstatykite fiksavimo kaištį ir priveržkite jį sparnuotąja veržle. Priekinė pagalbinė rankena turi būti nukreipta į galinės rankenos viršutinę dalį (G pav.).
5. Sureguliuokite priekinę pagalbinę rankeną taip, kad ji būtų tarp tarpinio žiedo ir etiketės – taip užtikrinsite, kad dirbant jūsų priekinė ranka būtų tiesi (H pav.).
6. Užfiksukite fiksavimo kaiščio svirtelę. (I pav.).

**⚠️ ĮSPĖJIMAS:** Šio įrankio negalima naudoti tinkamai nepritvirtinus priekinės pagalbinės rankenos.

## PETIES DIRŽO PRIKABINIMAS

Spausdami atidarykite diržo kabliuką ir užkabinkite jį už peties diržo pakabos (J pav.).

## NAUDOJIMAS

**⚠️ ĮSPĖJIMAS:** Kartu su apsauginėmis ausinėmis visada užsidėkite apsauginius akinius arba apsauginius akinius su šoniniais skydeliais. Priešingu atveju veikiančio įrankio išsviestos šiukšlės gali pataikyti į akis arba kitaip sunkiai sužaloti.

Galite naudoti šį gaminį toliau išvardytais tikslais:

**Žolei šalia kliūčių pjauti:** nupjauti žolei ir piktžolėms prie sienų, tvorų, medžių ir šaligatvių bortelių.

**Žolei pjauti:** žolei pjauti vietose, kurias sunku pasiekti naudojant įprastą vejąpjovę.

**PASTABA:** Įrankį galima naudoti tik pagal numatytąją paskirtį. Naudojimas bet kokiais kitais paskirčiais, pvz., žolei pakraščiuose pjauti, laikomas netinkamu naudojimu.

## SUDĖTINĖS BATERIJOS ĮSTATYMAS IR IŠĖMIMAS

Naudokite tik su A2 paveiksle nurodytomis sudėtinėmis baterijomis ir įkrovikliais.

**Prieš naudodami pirmą kartą iki galo įkraukite.**

### Įstatymas

Įtaikykite baterijos briaunas į tvirtinimo griovelius ir spauskite bateriją žemyn, kol išgirsite spragtelėjimą (K pav.).

### Išėmimas

Paspauskite baterijos atkabimo mygtuką ir išimkite sudėtinę bateriją, kaip parodyta L paveiksle.

|     |                             |
|-----|-----------------------------|
| L-1 | Baterijos atkabimo mygtukas |
|-----|-----------------------------|

## ŽOLIAPJOVĖS SU LYNELIU LAIKYMAS

Norėdami saugiau ir geriau dirbti su įrankiu, užsidėkite ant peties diržą, kaip tai pavaizduota N paveiksle. Sureguliuokite peties diržą taip, kad būtų patogus pjauti. Žoliapjovę su lyneliu laikykite abiem rankomis: viena ranka laikykite galinę, o kita – priekinę pagalbinę rankeną.

**PASTABA:** Žoliapjovės galvutė atsiduria lygiagrečiai žemės paviršiumi tinkamu pjovimo atstumu ir operatoriumi nereikia lenktis į priekį (N pav.).

Diržą galite nusiimti dviem būdais. Nuimti tiesiai nuo paties (O pav.) arba nuspausti diržo kabliuko liežuvėlį ir atkabinti nuo peties diržo pakabos, pritvirtintos ant veleno (P pav.).

**⚠️ ĮSPĖJIMAS:** Pavojojamoje situacijoje peties diržą galima nusiimti labai greitai. Susidarius pavojingai situacijai nedelsdami nusiimkite peties diržą, nepaisydami, kokioje padėtyje jis yra.

### ŽOLIAPJOVĖS PALEIDIMAS IR SUSTABDYMAS (M pav.)

#### Paleidimas

Nuspauskite blokuotės išjungiklį, o tuomet nuspauskite jungiklį. Skirtinga jėga spaudžiant jungiklį, keičiasi pjovimo lynelio sukimosi greitis. Stipresnis spaudimas – didesnis greitis.

#### Sustabdymas

Atleiskite jungiklį.

**PASTABA:** Variklis veikia tik tuomet, kai kartu paspausti blokuotės išjungiklis ir jungiklis.

#### Greičio reguliavimo funkcija (M pav.)

Žoliapjovė su lyneliu dirba dviem greičiais. 1 padėtis – mažas greitis, 2 padėtis – didelis greitis.

|     |                                   |
|-----|-----------------------------------|
| M-1 | Didelio ir mažo greičio jungiklis |
| M-2 | Blokuotės išjungiklis             |
| M-3 | Jungiklis                         |

### ŽOLIAPJOVĖS NAUDOJIMAS

Kaskart prieš naudodami išvalykite pjaunamą plotą. Pašalinkite visas kliūtis, pavyzdžiui, akmenukus, stiklo duženas, vinis, vielas ar laidus, t. y. šiukšles, kurias pjovimo įtaisas gali išsviesti į orą arba jose įsipainioti. Darbo zonoje neturi būti vaikų, pašalinių asmenų ir naminių gyvūnų. Vaikai, pašaliniai asmenys bei naminiai gyvūnai turi būti atitraukti ne mažesniu kaip 15 m atstumu; net ir tokiu atveju išlieka pavojus pašaliniams asmenims dėl išsviestų šiukšlių. Šalia esantys asmenys turi dėvėti akių apsaugą. Jeigu matote jūsų link artėjantį asmenį, nedelsdami išjunkite pjovimo įtaisą.

#### Kaskart prieš naudodami įrankį patikrinkite, ar nėra pažeistų ir (ar) sudilusių dalių.

Apžiūrėkite pjovimo galvatę, apsaugą ir priekinę pagalbinę rankeną. Pakeiskite įtrūkusias, pakeitusias formą, sulinkusias arba bet kaip kitaip pažeistas dalis.

Lynelio nukirtimo peilis apsaugos pakraštyje laikui bėgant gali atšlįti. Rekomenduojama reguliariai galąsti jį dilde arba pakeisti nauju.

#### Po kiekvieno naudojimo žoliapjovę išvalykite.

### PJOVIMO LYNELIO ILGIO REGULIAVIMAS

Naudotojas gali pailginti žoliapjovės galvatės pjovimo lynelį nestabdydamas variklio. Pjovimo lyneliui atspurus ar sudilus, daugiau lynelio galima ištraukti nestipriai stuktelėjus žoliapjovės galvatę į žemės paviršių (Q pav.).

**PASTABA:** Kuo pjovimo lynelis trumpesnis, tuo sunkiau jį pailginti.

**⚠️ ĮSPĖJIMAS:** Pjovimo lynelio nukirtimo peilio nenuimkite ir nekeiskite jo konstrukcijos. Jeigu lynelis per ilgas, gali perkaisti variklis ir galite sunkiai susižaloti.

### LYNELIO KEITIMAS

**PASTABA:** Visada naudokite rekomenduojamą pjovimo lynelį, kurio skersmuo neviršija 2,4 mm. Naudojant kitokį nei nurodyta pjovimą lynelį, žoliapjovė gali perkaisti arba sugesti.

**⚠️ ĮSPĖJIMAS:** Niekada nenaudokite metalinio lynelio, vielos, trosu, ir pan. Jie gali nutrūkti ir tapti pavojingomis skriejančiomis šiukšlėmis.

1. Išimkite sudėtinę bateriją.
2. Jei reikia, ištraukite likusį pjovimo lynelį.
3. Atpjaukite 4 m ilgio pjovimo lynelio atkarpa ir įkiškite į angą ašelėje (R pav.). Kiškite lynelį ir ištraukite kitoje pusėje; traukite, kol abiejose ritės pusėse bus vienodas lynelio ilgis.
4. Paspaužę ir sukdami rodyklės kryptimi apatinę gaubto dalį, suvyniokite lynelį ant ritės, kol abiejose pusėse liks maždaug po 14 cm lynelio (S pav.).
5. Norėdami ištraukti lynelį, paspauskite apatinę gaubto dalį ir rankomis ištraukite lynelio galus bei patikrinkite, ar tinkamai sumontuota žoliapjovės galvatė.

Kai pjovimo lynelis nutrūksta prie lynelio išleidimo angos arba nepailgėja stuktelėjus žoliapjovės galvatę į žemę, atlikite šiuos veiksmus:

1. Nuspauskite viršutinio gaubto atkabimo auseles ir traukdami išimkite apatinę gaubto dalį (T ir U pav.).
2. Nuvyniokite pjovimo lynelį nuo ritės.
3. Viena ranka laikykite apatinę gaubto dalį, o kita suimkite apatinę gaubto konstrukciją ir įtaikykite viršutinio gaubto auseles į apatinio gaubto angas (V pav.); apatinę konstrukciją spauskite delnu, kol auselės užsifiksuos viršutiniame gaubte.
4. Norėdami pakeisti pjovimo lynelį, laikykitės skyriuje „LYNELIO KEITIMAS“ pateiktų nurodymų.

### TRIDANČIO PEILIO KEITIMAS

1. Nuimkite apatinę gaubto konstrukciją, kaip parodyta T ir U paveiksluose.

LT

- Įstatykite stabdiklį ir smūginiu veržliarakčiu atsukite veržlę (žr. X1 ir X2 paveikslus).
- Nuimkite visas dalis, išskyrus vidinę jungę ir veržlę (X3 pav.), ir uždėkite peilį ant variklio veleno (X4 pav.).
- Priveržkite peilį, kaip parodyta X5 pav.
- Pridedamu universaliu veržliarakčiu išsukite sandarinimo varžtą.
- Tepalo švirškštu (nėra komplekte) į varžto angą įšvirškite tepalo. Neviršykite 3/4 talpos.
- Baigę užveržkite sandarinimo varžtą.

## TECHNINĖ PRIEŽIŪRA

**⚠️ ĮSPĖJIMAS:** Atlikdami techninės priežiūros darbus, naudokite tik identiškas atsargines dalis. Įrenginį reguliariai tikrinkite ir techniškai prižiūrėkite. Norint užtikrinti saugumą ir patikimumą, visus remonto darbus turi atlikti kvalifikuotas techninės priežiūros specialistas.

**⚠️ ĮSPĖJIMAS:** Kad išvengtumėte sunkaus susižalojimo, prieš atlikdami techninę priežiūrą, valydami žoliapjovę, keisdami priedus arba valydami žolės likučius, iš įrankio išimkite sudėtinę bateriją.

**⚠️ DĖMESIO:** Ventiliacinėse angose susikaupę šiukšlės trukdo orui patekti į variklio korpusą, dėl ko variklis gali perkaisti ar sugesti.

## ĮRANKIO VALYMAS

- Įrankį valykite mažos koncentracijos ploviklio tirpale suvilgyta šluoste. Niekada neleiskite jokiame skysčiui patekti į įrankio vidų; niekada nenardinkite jokios įrankio dalies į skystį.
- Plastikinėms korpuso arba rankenos dalims valyti nenaudokite jokių koncentruotų ploviklių. Aromatinės alyvos (pvz., pušies ar citrinų) ir tirpikliai, pvz., žibalas, gali jas sugadinti. Drėgmė taip pat gali kelti elektros smūgio pavojų. Bet kokią drėgmę nusauskite minkštu sausu audeklu.
- Naudokite mažą šepetėlį arba mažą dulkių siurblio šepetėlį, kad išvalytumėte variklio korpuso ventiliacines angas.
- Variklio korpuso ventiliacinės angos visada turi būti neužkimštos.

## PAVAROS REDUKTORIAUS TEPIMAS

Reduktoriaus korpuse sumontuotas pavaros krumpliaračius būtina reguliariai tepti reduktorių tepalu. Tepalo lygį reduktoriaus korpuse tikrinkite maždaug kas 50 darbo valandų, išsukdami korpuso šone esantį sandarinimo varžtą.

Jei krumpliaračių šonuose nėra jokių tepalo požymių, pripilkite 3/4 talpos reduktorių tepalo pagal toliau pateiktus nurodymus: Visiškai nepripildykite pavaros reduktoriaus.

- Paguldykite žoliapjovę ant šono taip, kad sandarinimo varžtas būtų nukreiptas į viršų (W pav.).

## ĮRENGINIO SANDĖLIAVIMAS

- Kai žoliapjovės su lyneliu nenaudojate, išimkite iš jos sudėtinę bateriją.
- Prieš sandėliavimą kruopščiai nuvalykite įrankį.
- Laikykite sausoje, gerai vėdinamoje, rakinamoje patalpoje arba aukštai, vaikams neprieinamoje vietoje. Nelaikykite įrankio ant arba šalia trąšų, benzino arba kitų chemikalų.

## Aplinkos apsauga



Neišmeskite elektros įrangos, panaudotų baterijų ir įkroviklio kartu su buitinėmis atliekomis! Šias atliekas reikia pristatyti į jų surinkimo vietą ar įgaliotam perdirbėjui. Elektrinius įrankius reikia gražinti į atitinkamą perdirbimo įmonę.



## TRIKČIŲ DIAGNOSTIKA

| PROBLEMA                         | PRIEŽASTIS   | SPRENDIMAS   |
|----------------------------------|--|--|
| Žoliapjovės nepavyksta paleisti. | <ul style="list-style-type: none"> <li>■ Sudėtinė baterija neprijungta prie žoliapjovės.</li> <li>■ Nėra elektros kontakto tarp žoliapjovės ir baterijos.</li> <li>■ Sudėtinė baterija visiškai išsikrovusi.</li> <li>■ Vienu kartu nenuspaustas blokuotės išjungiklis ir jungiklis.</li> </ul>  | <ul style="list-style-type: none"> <li>■ Prijunkite sudėtinę bateriją prie žoliapjovės.</li> <li>■ Išimkite sudėtinę bateriją, patikrinkite kontaktus ir vėl įstatykite sudėtinę bateriją.</li> <li>■ Įkraukite sudėtinę bateriją.</li> <li>■ Kad įjungtumėte žoliapjovę, paspauskite ir laikykite nuspaukę blokuotės išjungiklį, ir tuomet paspauskite jungiklį.</li> </ul>   |
| Žoliapjovė sustoja pjovimo metu. | <ul style="list-style-type: none"> <li>■ Nepritvirtinta žoliapjovės apsauga, todėl per ilgą pjovimo lynelis sukelia variklio perkrovą.</li> <li>■ Naudojamas per sunkus pjovimo lynelis.</li> <li>■ Ant variklio veleno arba žoliapjovės galvutės apsivyniojusi žolė.</li> <li>■ Variklio perkrova.</li> <li>■ Sudėtinė baterija arba žoliapjovė yra per daug įkaitusi.</li> <li>■ Sudėtinė baterija atjungta nuo įrankio.</li> <li>■ Sudėtinė baterija visiškai išsikrovusi.</li> </ul> | <ul style="list-style-type: none"> <li>■ Išimkite sudėtinę bateriją ir pritvirtinkite žoliapjovės apsaugą.</li> <li>■ Naudokite rekomenduojamą pjovimo lynelį, kurio skersmuo neviršija 2,4 mm.</li> <li>■ Sustabdykite žoliapjovę, išimkite sudėtinę bateriją ir tuomet nuvalykite žolę nuo variklio veleno arba žoliapjovės galvutės.</li> <li>■ Nuvalykite žolę nuo žoliapjovės galvutės. Pašalinus apkrovą variklis pradės veikti kaip įprasta. Pjaudami judinkite pjovimo galvutę link ir nuo pjaunamos žolės, bei vienu kartu nenuėjaukite daugiau kaip 20 cm žolės aukščio.</li> <li>■ Leiskite sudėtinei baterijai arba žoliapjovei atvėsti, kol temperatūra nukris žemiau 67 °C.</li> <li>■ Vėl įdėkite sudėtinę bateriją.</li> <li>■ Įkraukite sudėtinę bateriją.</li> </ul> |

LT

| PROBLEMA  | PRIEŽASTIS  | SPRENDIMAS   |
|---|---|--|
| Žoliapjovės galvutė nepaduoda pjovimo lynelio.  | <ul style="list-style-type: none"> <li>■ Ant variklio veleno arba žoliapjovės galvutės apsvinėjusi žolė.</li> <li>■ Ritėje nepakanka pjovimo lynelio.</li> <li>■ Purvina žoliapjovės galvutė.</li> <li>■ Lynelis ritėje susinarpliojo.</li> <li>■ Pjovimo lynelis per trumpas.</li> </ul> | <ul style="list-style-type: none"> <li>■ Sustabdykite žoliapjovę, išimkite bateriją ir tuomet nuvalykite variklio veleną ir žoliapjovės galvutę.</li> <li>■ Išimkite sudėtinę bateriją ir pakeiskite pjovimo lynelį; vadovaukitės šio vadovo skyriumi „LYNELIO KEITIMAS“.</li> <li>■ Išimkite bateriją ir išvalykite žoliapjovės galvutę.</li> <li>■ Išimkite bateriją, ištraukite lynelį iš žoliapjovės galvutės ir iš naujo pervyniokite; vadovaukitės šio vadovo skyriumi „LYNELIO KEITIMAS“.</li> <li>■ Išimkite bateriją ir rankomis ištraukite pjovimo lynelio galus, spaudžiodami ir atleisdami žoliapjovės galvutę.</li> </ul> |
| Žolė apsvinėja aplink žoliapjovės galvutę ir variklio korpusą.                                      | <ul style="list-style-type: none"> <li>■ Aukštą žolę pjaunate palei žemę.</li> </ul>  | <ul style="list-style-type: none"> <li>■ Kad ant žoliapjovės galvutės neapsiviniotų žolė, aukštą žolę pjaukite iš viršaus į apačią, vienu kartu nupjaudami ne daugiau kaip 20 cm jos aukščio.</li> </ul>   |
| Žoliapjovės galvutės įtrūkimai arba apatinė gaubto dalis atsilaisvino nuo viršutinės gaubto dalies. | <ul style="list-style-type: none"> <li>■ Susidėvėjo žoliapjovės galvutė.</li> </ul>   | <ul style="list-style-type: none"> <li>■ Nedelsdami pakeiskite žoliapjovės galvutę; darbus turi atlikti kvalifikuotas techninės priežiūros specialistas.</li> </ul>  |

## GARANTIJĄ

LT

### EGO GARANTINĖ POLITIKA

Norėdami sužinoti visas EGO garantinės politikos sąlygas, apsilankykite interneto svetainėje [egopowerplus.com](http://egopowerplus.com).

## IZLASIET VISUS NORĀDĪJUMUS!



### IZLASIET LIETOTĀJA ROKASGRĀMATU

**⚠ BRĪDINĀJUMS!** Citi riski! Personām, kuras lieto elektroniskas ierīces, piemēram, elektrokardiostimulatorus, pirms šīs ierīces lietošanas jākonsultējas ar savu ārstu. Elektriskā aprīkojuma darbība sirds elektrokardiostimulatora tuvumā var radīt stimulatora darbības traucējumus vai kļūmes.



### Drošības brīdinājums



Lietojiet aizsargbrilles šī izstrādājuma darbināšanas laikā vienmēr valkājiet aizsargbrilles vai aizsargbrilles ar sānu aizsargiem un pilnu sejas aizsargmasku.



Lietojiet dzirdes aizsarglīdzekļus strādājot ar šo instrumentu, vienmēr izmantojiet dzirdes aizsarglīdzekļus.



Lietot galvas aizsarglīdzekļus valkājiet apstiprinātu cieto aizsargcepuri, lai pasargātu savu galvu.



Neuzstādiel apaļās formas griešanas asmeņus.



Maksimālais auklas trimera griešanas platums



Lietojot auklas trimmeri, sekojiet, lai citi cilvēki un mājdzīvnieki atrastos vismaz 15 m attālumā no tā.



Garantētais skaņas intensitātes līmenis. Trokšņa emisija vidē atbilstoši Eiropas Kopienas direktīvai.



Elektrisko izstrādājumu atkritumus nedrīkst izmet kopā ar sadzīves atkritumiem. Nogādājiet uz pilnvarotu pārstrādes punktu.

$n_0$

Apgriezienu skaits bez slodzes-Rotācijas ātrums bez slodzes



Līdzstrāva

## DROŠĪBAS SIMBOLI



**⚠ BRĪDINĀJUMS!** Jebkura elektroinstrumenta lietošanas laikā acīs var iekļūt svešķermeņi, kas var radīt smagu acu traumu. Pirms elektroinstrumenta ieslēgšanas vienmēr uzvelciet aizsargbrilles vai aizsargbrilles ar sānu aizsargiem un, ja nepieciešams, pilnu sejas aizsargmasku. Iesakām izmantot aizsargmasku ar plašu skata leņķi, ko uzvelk virs parastajām brillēm, vai arī standarta aizsargbrilles ar sānu aizsargiem.



Lai mazinātu traumu gūšanas bīstamību, lietotājam jāizlasa lietotāja rokasgrāmata.



Valkāt drošības apavus lietojot šo aprīkojumu, valkājiet drošības apavus ar neslidošu zoli.



Lietot aizsargcimdus darbojoties ar asmeni vai asmens aizsargu, sargājiet savas rokas, valkājiet cimdus.



Uzmanību, asmens atsitiena risks! Brīdiniet operatoru par asmens atsitiena briesmām.



Diametrs: neilona griezējauklas diametrs



Lidojoši priekšmeti var atstiesiet un radīt miesas bojājumus vai kaitējumu īpašumam. Lietojot krūmgriezi, sekojiet, lai citi cilvēki un mājdzīvnieki neatrastos tā tuvumā.



Neizmantojiet lietū vai neatstājiet ārā, kamēr līst lietus.



Šis izstrādājums atbilst piemērojamām EK direktīvām.

V Spriegums

.../min Minūte

kg kilograms

LV

## SPECIFIKĀCIJAS

|  |                              |  |
|--|------------------------------|--|
|  | Trimmera galva               | 3 zobu asmens                                  |
| Spriegums  | 56 V $\overline{\text{---}}$ | 56 V $\overline{\text{---}}$                   |
| Ieteicamā darba temperatūra:   | 0°C-40°C                     |  |
| Ieteicamā uzglabāšanas temperatūra:  | -20°C-70°C                   |  |
| Optimālā uzlādes temperatūra   | 5°C-40°C                     |  |
| Ātrums bez slodzes   | 5000/6000 min <sup>-1</sup>  | 5000/6000 min <sup>-1</sup>                    |
| Griezējauklas veids  | 2,4mm                        | /  |
| Griezējasmens  | /                            | ABB1203  |
| Griešanas platums  | 38 cm                        | 30cm   |
| Svars (bez akumulatoru bloka)  | 4,21Kg                       | 4,45 kg  |
| Izmērītais skaņas intensitātes līmenis L <sub>VNA</sub>                          | 94,6 dB(A)<br>K=1,8 dB(A)    | 96,5 dB(A)<br>K=1,88 dB(A)                     |
| Trokšņa spiediena līmenis pie lietotāja auss L <sub>PA</sub>                     | 81,7 dB(A)<br>K=2,5 dB(A)    | 76,5 dB(A)<br>K=3 dB(A)                        |
| Garantētais skaņas intensitātes līmenis L <sub>VNA</sub> (saskaņā ar 2000/14/EK) | 96 dB(A)                     | 98 dB(A)                                       |
| Vibrācija a <sub>h</sub>   | Priekšējais palīgrokturis    | 3,2 m/s <sup>2</sup><br>K=1,5 m/s <sup>2</sup> |
|  | Aizmugurējais rokturis       | 2,3 m/s <sup>2</sup><br>K=1,5 m/s <sup>2</sup> |

LV

- Norādītā vibrāciju kopējā vērtība ir izmērīta saskaņā ar standarta pārbaudes metodi un var tikt izmantota, lai salīdzinātu vairākus instrumentus.
- Deklarēto vibrāciju emisijas vērtību var arī lietot iepriekšējai vibrāciju iedarbības novērtēšanai.

**PIEZĪME!** Vibrāciju emisijas faktiskajā elektroinstrumenta darbināšanas laikā var atšķirties no norādītās vērtības. Lai pasargātu operatoru, lietotājam jāvalkā cimdi un dzirdes aizsarglīdzekļi atbilstoši patiesajiem darba apstākļiem.

## APRAKSTS

### PĀRZINIET SAVU AUKLAS TRIMMERI (A1 att.)

1. Sliekšņvērtības gredzens
2. Ieslēgšanas slēdzis

3. Aizmugurējais rokturis
4. Gaisa iepūde
5. Bloķēšanas poga
6. Augsta/zema ātruma pārslēgšanas slēdzis
7. Plecu siksnas piekare
8. Regulējams priekšējais palīgrokturis
9. Plecu sikсна
10. Daudzfunkciju uzgriežņu atslēga
11. Sešskaldņu uzgriežņu atslēga
12. Trimmera galva (piespiežamā galva)
13. Griešanas aukla
14. Atlaišanas izcilnis
15. Auklas griezējasmens
16. Aizsargs
17. Izsviešanas mehānisms
18. Elektriskie kontakti
19. Slēgmehānisms
20. Gumijas aizsargpolsterējums
21. Akumulatora atbrīvošanas poga
22. Drošības barjeras stienis (tikai krūmgrieža galvai)
23. Drošības barjeras fiksācijas stienis (tikai krūmgrieža galvai)
24. Ārējais atloks (tikai krūmgrieža galvai)
25. Uzgrieznis (tikai krūmgrieža galvai)
26. Uzgrieznis (tikai krūmgrieža galvai)

## KOMPLEKTĀCIJA

| DAĻAS NOSAUKUMS                 | SKAITS |
|---------------------------------|--------|
| Auklas trimmeris                | 1      |
| Aizsargs                        | 1      |
| Priekšējā palīgroktura mezgls   | 1      |
| Sešskaldņu uzgriežņu atslēga    | 1      |
| Daudzfunkciju uzgriežņu atslēga | 1      |
| Plecu sikсна                    | 1      |
| Lietotāja rokasgrāmata          | 1      |
| Fiksācijas stienis              | 1      |
| Ārējais atloks                  | 1      |
| Uzgrieznis                      | 1      |
| Skrūve                          | 2      |

## MONTĀŽA

### AIZSARGA MONTĀŽA

1. No aizsarga izskrūvējiet un izņemiet abas skrūves (B att.).
2. Novietojiet aizsarga montāžas caurumus vienā līmenī ar caurumiem pamatnē, pēc tam nofiksējiet aizsargu kāta pamatnē, ieskrūvējot abas skrūves un abas atsperaplāksnes (C att.).

**PIEZĪME!** Pārļiecinieties, vai aizsargs ir piestiprināts pareizi tā, kā norādīts B un C attēlos; nepareizi uzstādīts aizsargs ir ļoti bīstams!

### PRIEKŠĒJĀ PALĪGROKTURA UZSTĀDĪŠANA UN REGULĒŠANA

1. Atskrūvējiet fiksācijas stieni priekšējā palīgrokturī un izņemiet fiksācijas stieni un spārnuzgriezni no priekšējā palīgroktura (D att.).

**PIEZĪME!** Uzstādiet drošības barjeras stieni uz cilpeida roktura, pieskrūvējot ar divām skrūvēm, ja instrumentam tiek uzstādīta krūmgrieža galva.

**PIEZĪME!** Ir divu veidu fiksācijas stieņi — īsākais ir paredzēts trimmera galvai. Garākais ir paredzēts krūmgrieža galvai. Rūpīgi izvēlieties pareizo fiksācijas stieni, lietojot instrumentu.

|     |                           |     |   |
|-----|---------------------------|-----|---|
| D-1 | Priekšējais palīgrokturis | D-4 | Drošības barjeras stienis (tikai krūmgrieža galvai) |
| D-2 | Stiprinājuma bloks        | D-5 | Fiksācijas stienis                                  |
| D-3 | Spārnuzgrieznis           |     |   |

2. Uzspiediet priekšējo palīgrokturi uz vārpstas sliekšņvērtības gredzena priekšpusē. Nekad nenovietojiet to starp sliekšņvērtības gredzenu un aizmugurējo rokturi (E att.).
3. Ievietojiet stiprinājuma bloku roktura gropē (F att.).
4. Uzstādiet fiksācijas stieni un pievelciet ar spārnuzgriezni. Pārļiecinieties, vai priekšējais palīgrokturis ir vērstš uz augšu un virzienā uz aizmugurējā roktura augšējo daļu (G att.).
5. Noregulējiet priekšējo palīgrokturi starp gredzenu un plāksnīti tā, lai roka, kura griešanas laikā atrodas priekšpusē, būtu izstiepta (H att.).
6. Bloķējiet fiksācijas stieņa sviru. (I att.)

**▲ BRĪDINĀJUMS!** Neizmantojiet darbarīku bez piestiprināta priekšējā palīgroktura.

### PLECU SIKSNAS PIESTIPRINĀŠANA

Lai atvērtu siksnas āķi, nospiediet to un pieāķējiet pie plecu siksnas piekares (J att.).

### EKSPLUATĀCIJA

**▲ BRĪDINĀJUMS!** Vienmēr kopā ar dzirdes aizsarglīdzekļiem valkājiet arī aizsargbrilles vai drošības brilles ar sānu aizsargiem. Pretējā gadījumā priekšmeti, ko izsviež griezējinstrumenti, var iekļūt acīs un radīt nopietnus savainojumus.

Šo izstrādājumu var lietot tālāk norādītajiem mērķiem:

**Apgrīšana:** izmantojiet zāles un nezāļu apgrīšanai gar sienām, žogiem, kokiem un apmalēm.

**Griešana:** lietojiet zāles nogriešanai vietās, kur ir grūti piekļūt ar parastu zāles plāvēju.

**PIEZĪME!** Instrumentu drīkst izmantot tikai aprakstītajam mērķim. Citu veidu lietošana, piemēram, dzīvžogu apgrīšana, ir uzskatāma par nepareizu lietošanu.

### AKUMULATORU BLOKA IEVIETOŠANA/IZŅEMŠANA

Izmantojiet tikai A2 attēlā uzskaitītos akumulatora blokus un lādētājus.

#### Pirms pirmās lietošanas reizes uzlādējiet akumulatoru pilnībā

#### Ievietošana

Salāgojiet akumulatora izciņņus ar stiprinājuma rievām un iespiediet akumulatoru bloku, līdz ir dzirdama „klikšķa” skaņa (K att.).

#### Izņemšana

Nospiediet akumulatora atbrīvošanas pogu un izvelciet akumulatoru bloku tā, kā tas parādīts L attēlā.

L-1 Akumulatora atbrīvošanas poga

### AUKLAS TRIMMERA TURĒŠANA

Lai lietošana būtu drošāka un labāka, uzvelciet plecu siksnu pāri plecam, kā tas parādīts N attēlā. Noregulējiet plecu siksnu ērtā darba stāvoklī. Turiet auklas trimeri ar abām rokām: vienai rokai jāatrodas uz aizmugurējā roktura un otrai rokai - uz priekšējā palīgroktura.

**PIEZĪME!** Trimmera galvai ir jāatrodas paralēli zemes virsmai atbilstošā griešanas augstumā un operatora augums nedrīkst būt saliekts (N att.).

Siksnu var noņemt divos veidos. Noņemiet nost no pleca (O att.) vai nospiediet siksna āķi un nodaliet no cauruļu skavas, kas nostiprināta uz vārpstas (P att.).

**⚠ BRĪDINĀJUMS!** Plecu siksnei ir arī ātrās atbrīvošanas mehānisms bīstamām situācijām. Avārijas situācijās gadījumā nekavējoties noņemiet siksnu no pleca neatkarīgi no tā, kādā pozīcijā tā atrodas.

## AUKLAS TRIMMERA IEDARBINĀŠANA/ APTURĒŠANA (M att.)

### Ieslēgšana

Nospiediet atbloķēšanas sviru un pēc tam nospiediet iedarbināšanas slēdzi. Griezējauklas rotācijas ātrums ir atkarīgs no spēka, ar kādu tiek nospiepts iedarbināšanas slēdzis. Jo lielāks spiediens, jo lielāks rotācijas ātrums.

### Apturēšana

Atlaidiet slēdzi.

**PIEZĪME!** Motors darbojas tikai tad, ja vienlaicīgi ir nospiesta atbloķēšanas poga un iedarbināšanas slēdzis.

### Ātruma regulēšanas funkcija (M att.)

Auklas trimmerim ir divi ātrumi. 1. pozīcija ir zems ātrums, bet 2. pozīcija — liels ātrums.

|     |   |
|-----|---|
| M-1 | Augsta/zema ātruma pārslēgšanas slēdzis |
| M-2 | Bloķēšanas poga                         |
| M-3 | Ieslēgšanas slēdzis                     |

## AUKLAS TRIMMERA LIETOŠANA

Pirms katras lietošanas reizes atīriet apstrādājamo vietu. Savāciet akmeņus, stikla lauskas, naglas, vadus vai auklas, kas var tikt izsviestas vai iekļūt griešanas piercē. Nepieļaujiet bērnu, citu personu un mājdzīvnieku atrašanos darba vietā. Sekojiet, lai bērni, citas personas un mājdzīvnieki atrastos vismaz 15 m attālumā; vēl arvien pastāv apdraudējums, ko rada izsviesti objekti. Sekojiet, lai apkārtējie izmantotu acu aizsarglīdzekļus. Ja strādājot kāds jums tuvojas, nekavējoties apturiet motoru un griešanas pierci.

### Pirms katras lietošanas reizes pārbaudiet, vai nav bojātu/nodilušu daļu

Pārbaudiet ierīces piespiezamo galvu, aizsargu un priekšējo rokturi un nomainiet detaļas, ja tās ir saplaisājušas, savijušās, salocījušās vai bojātas.

Ar laiku auklas griešanas asmens uz aizsarga var kļūt truls. Ieteicams periodiski asināt asmeni ar vili vai nomainīt to.

Trimmeris ir jānotīra pēc katras lietošanas reizes.

## TRIMMERA AUKLAS GARUMA REGULĒŠANA

Trimmera galva ļauj operatoram izbīdīt vairāk griešanas auklas, neapturot motoru. Ja aukla sadilst vai nolietojas, tad, nedaudz piesitot trimmera galvu pret zemi trimmera lietošanas laikā, var izbīdīt jaunu auklas garumu (Q att.).

**PIEZĪME!** Trimmera auklai paliekot īsākai, auklas padeve kļūst apgrūtināta.

**⚠ BRĪDINĀJUMS!** Nenonoņemiet un nepārveidojiet auklas griešanas asmens mezglu. Pārmērīgi gara aukla izraisīs motora pārkaršanu, un var rasties smagi miesas bojājumi.

## AUKLAS NOMAĪŅA

**PIEZĪME!** Vienmēr lietojiet ieteikto neilona griezējauklu, kuras diametrs nepārsniedz 2,4 mm. Cita veida auklas izmantošana var izraisīt auklas trimmera pārkaršanu vai var to sabojāt.

**⚠ BRĪDINĀJUMS!** Nekad neizmantojiet auklu ar metāla pastiprinājumiem, stiepli, virvi u.tml. Šāda veida auklas var salūst un kļūt par bīstamiem, lielā ātrumā izsviestiem objektiem.

1. Izņemiet akumulatoru bloku.
2. Nepieciešamības gadījumā izņemiet atlikušo griezējauklas daļu.
3. Nogrieziet 4m griezējauklas un ievielciet auklu montāžas caurumā actiņas iekšpusē (R att.). Iespiediet un izvelciet auklu no otras puses, līdz spolei abās pusēs var redzēt vienāda garuma auklu.
4. Lai uzlītu auklu uz spoles, piespiediet, vienlaikus griežot spoles apakšējo daļu bultiņas virzienā, līdz katrā pusē var redzēt aptuveni 14 cm auklas (S att.).
5. Vienlaikus velkot auklu, nospiediet spoles apakšējo daļu, lai ar rokām izvilktu auklu un, lai pārbaudītu, vai trimmera galva ir pareizi uzstādīta.

Ja griešanas aukla pārtrūkst pie auklas izejas vai griešanas aukla netiek padota, piesitot ar trimmera galvu, izpildiet tālāk norādītās darbības:

1. Nospiediet atlaišanas izciļņus uz spoles augšējās daļas un noņemiet spoles apakšējo daļu, izvelkot to uz āru (T un U att.).
2. Izņemiet griezējauklu no spoles.
3. Ar vienu roku pieturiet spoles apakšējo daļu un ar otru roku satveriet spoles apakšējo daļu un salāgojiet spoles augšējās daļas izciļņus ar spoles apakšējās daļas caurumiem (V att.); ar plaukstu piespiediet un pagrieziet spoles apakšējo daļu, līdz izciļņi nofiksējas spoles augšējā daļā.

4. Lai nomaiņītu griešanas auklu, sekojiet norādījumiem sadaļā „AUKLAS NOMAIŅA”.

### 3 ZOBU ASMENS NOMAIŅA

1. Noņemiet spoles apakšējo daļu, kā tas parādīts T un U attēlā.
2. Ievietojiet stabilizatoru, pēc tam izmantojiet trieciena uzgriežņu atslēgu, lai atskrūvētu uzgriezni, kā parādīts X1 un X2 attēlā.
3. Noņemiet visas detaļas, izņemot iekšējo atloku un uzgriezni (X3. att.), uzlieciet asmeni uz motora vārpstas, kā tas norādīts X4 attēlā.
4. Pievelciet asmens skrūves, kā tas parādīts X5 attēlā.

## APKOPE

**⚠ BRĪDINĀJUMS!** Veicot ierīces apkopi, izmantojiet tikai identiskas rezerves daļas. Regulāri pārbaudiet instrumentu un veiciet tam apkopi. Lai garantētu drošību un uzticamību, visi remontdarbi jāveic kvalificētam apkopes tehnikam.

**⚠ BRĪDINĀJUMS!** Lai nepieļautu smagas traumas, pirms trimera apkopes, tīrīšanas, papildpierīču maiņas vai zāles izņemšanas izņemiet akumulatora bloku.

**⚠ UZMANĪBU.** Ja ventilācijas atveres būs aizsērējušas, gaiss nevarēs iekļūt motora korpusā un motors pārkarstīs vai tiks sabojāts.

### INSTRUMENTA TĪRĪŠANA

- Tīriet ierīci ar mitru drānu un maigu mazgāšanas līdzekli. Nekādā gadījumā nepieļaujiet šķidruma iekļūšanu instrumentā; nekad neieņemdziet šķidrumā nevienu no instrumenta daļām.
- Netīriet plastmasas korpusu un rokturi ar kodīgiem tīrīšanas līdzekļiem. Plastmasas daļas var sabojāt ar zināmām aromatizētām eļļām, piemēram, priežu un citrona, un šķīdinātājiem, piemēram, petroleju. Elektrotraumu var radīt arī mitrums. Kārtīgi noslaukiet mitrumu ar mīkstu, tīru drānu.
- Ventilācijas atveru tīrīšanai korpusa aizmugurē izmantojiet nelielu suku vai nelielu putekļsūcēja suku ar gaisa izplūdi.
- Turiet motora korpusa atveres tīras no gružiem.

### REDUKTORU EĻĻOŠANA

Reduktorus pārnesumkārbā ir periodiski jāieeļļo ar reduktoru smērvielu. Pārbaudiet pārnesumkārbā smērvielas līmeni ik pēc 50 darba stundām, noņemot kārbas pusē esošo blīvējuma skrūvi.

Ja uz reduktora malām nav redzama smērviela, tad, lai uzpildītu reduktoru smērvielu līdz 3/4 ietilpības, izpildiet tālāk redzamās darbības. Neieplidiet smērvielu reduktoras līdz augšai.

1. Pagrieziet auklas trimmeri uz sāniem tā, lai blīvējuma skrūve būtu vērsta virzienā uz augšu (W att.).
2. Atskrūvēšanai izmantojiet komplektācijā iekļauto daudzfunkciju uzgriežņu atslēgu un izņemiet blīvējuma skrūvi.
3. Izmantojiet smērvielas šjirci (komplektācijā nav iekļauta), lai iepildītu smērvielu caur skrūves atveri; nepārsniedzot 3/4 ietilpības.
4. Pēc iepildīšanas aizskrūvējiet blīvējuma skrūvi.

### INSTRUMENTA UZGLABĀŠANA

- Ja auklas trimmeri neizmantojat, izņemiet no tā akumulatoru bloku.
- Pirms uzglabāšanas instruments ir kārtīgi jānotīra.
- Uzglabājiet ierīci sausā, labi vēdināmā, aizslēdzamā vai augstā — bērniem nepieejamā — vietā. Neuzglabājiet ierīci blakus mēslojumam, degvielai vai citām ķīmikālijām.

### Apkārtējās vides aizsardzība



Neutilizējiet elektrisko aprīkojumu, izlietoto akumulatoru un lādētāju sadzīves atkritumos! Nogādājiet šo produktu uz pilnvarotu pārstrādes punktu un sagatavojiet atkritumu šķirošanai. Elektriskos instrumentus jānogādā videi nekaitīgā pārstrādes rūpnīcā.

## KĻŪDU NOVĒRŠANA

| PROBLĒMA                                   | CĒĻONIS   | RISINĀJUMS   |
|--|---|--|
| Auklas trimmeris neieslēdzas.              | <ul style="list-style-type: none"> <li>■ Trimmerī nav uzstādīts akumulatoru bloks.</li> <li>■ Starp trimmeri un akumulatoru nav elektriskā savienojuma.</li> <li>■ Akumulatoru bloks ir izlādējies.</li> <li>■ Vienlaikus nav nospiesta bloķēšanas poga un pārslēdzējs.</li> </ul>  | <ul style="list-style-type: none"> <li>■ Uzstādiet trimmerī akumulatoru bloku.</li> <li>■ Izņemiet akumulatoru, pārbaudiet kontaktus un ievietojiet atpakāļ.</li> <li>■ Uzlādējiet akumulatoru bloku.</li> <li>■ Nospiediet bloķēšanas pogu un turiet to, tad nospiediet pārslēdzēju, lai ieslēgtu auklas trimmeri.</li> </ul>   |
| Auklas trimmeris apstājas griešanas laikā. | <ul style="list-style-type: none"> <li>■ Uz trimmera nav uzstādīts aizsargs, kā rezultātā griezējaukļa ir par garu un rodas motora pārslodze.</li> <li>■ Izmantota smaga griezējaukļa.</li> <li>■ Motora vārpstu vai trimmera galvu nosprostojuši zāle.</li> <li>■ Motora pārslodze.</li> <li>■ Akumulatoru bloks vai dzīvzogu trimmeris ir pārkaršis.</li> <li>■ Akumulatoru bloks ir atvienots no darbarīka.</li> <li>■ Akumulatoru bloks ir izlādējies.</li> </ul> | <ul style="list-style-type: none"> <li>■ Izņemiet akumulatoru bloku un uzstādiet trimmerim aizsargu.</li> <li>■ Izmantojiet ieteikto neilona griezējaukļu, kuras diametrs nepārsniedz 2,4 mm.</li> <li>■ Apturiet trimmeri, izņemiet akumulatoru un iztīriet zāli no motora vārpstas un trimmera galvas.</li> <li>■ Paceliet no zāles trimmera galvu. Motors uzreiz pēc noslogojuma atbrīvošanas atsāks darboties. Griežot ievirziet trimera galvu griežamajā zālē, noņemot ne vairāk par 20 cm garuma vienā griezumā.</li> <li>■ Ļaujiet akumulatora blokam vai trimmerim atdzist, līdz temperatūra nokrītas zem 67 °C.</li> <li>■ Ielieciet atpakāļ akumulatoru bloku.</li> <li>■ Uzlādējiet akumulatoru bloku.</li> </ul> |



| PROBLĒMA  | CĒLONIS   | RISINĀJUMS  |
|---|---|---|
| Trimmera galva nepadod auklu.   | <ul style="list-style-type: none"> <li>■ Motora vārpstu vai trimmera galvu nosprostojusi zāle.</li> <li>■ Spolē nepietiek auklas.</li> <li>■ Trimmera galva ir netīra.</li> <li>■ Spolē savijusies aukla.</li> <li>■ Aukla ir par īsu.</li> </ul> | <ul style="list-style-type: none"> <li>■ Apturiet trimmeri, izņemiet akumulatoru un iztīriet zāli motora vārpstu un trimmera galvu.</li> <li>■ Izņemiet akumulatoru un nomainiet griezējauklu; skatiet šīs rokasgrāmatas nodaļu „AUKLAS MAINĀ”.</li> <li>■ Izņemiet akumulatoru un iztīriet trimmera galvu.</li> <li>■ Izņemiet akumulatoru, izņemiet no trimmera galvas auklu un uztiniet no jauna; skatiet šīs rokasgrāmatas sadaļu „GRIEZĒJAUKLAS UZTĪŠANA”.</li> <li>■ Izņemiet akumulatoru un ar rokām velciet auklas, vienlaikus nospiežot un atlaižot trimmera galvu.</li> </ul> |
| Ap trimmera galvu un motora korpusu ir aptinusies zāle.                               | <ul style="list-style-type: none"> <li>■ Garas zāles griešana pie zemes.</li> </ul>   | <ul style="list-style-type: none"> <li>■ Grieziet garu zāli no augšas uz leju, katru reizi vienā gājienā nogriežot pa 20 cm, lai nepieļautu zāles aptīšanos.</li> </ul>   |
| Plaisas uz trimmera galvas vai apakšējā daļa atskrūvējusies no spoles augšējās daļas. | <ul style="list-style-type: none"> <li>■ Trimmera galva ir nodilusi.</li> </ul>   | <ul style="list-style-type: none"> <li>■ Nekavējoties nomainiet trimmera galvu, nogādājot to kvalificētam servisa tehniķim.</li> </ul>  |

## GARANTIJA

### EGO GARANTIJAS POLITIKA

Lūdzu, apmeklējiet tīmekļa vietni [egopowerplus.com](http://egopowerplus.com), kur pieejama pilna EGO garantijas politikas noteikumu un nosacījumu versija.

LV

## ΔΙΑΒΑΣΤΕ ΟΛΕΣ ΤΙΣ ΟΔΗΓΙΕΣ!



### ΔΙΑΒΑΣΤΕ ΤΟ ΕΓΧΕΙΡΙΔΙΟ ΧΡΗΣΗΣ

**⚠️ ΠΡΟΕΙΔΟΠΟΙΗΣΗ:** Υπολειπόμενοι κίνδυνοι!  
Ανθρώπινοι που φέρουν ηλεκτρονικές συσκευές όπως βηματοδότες πρέπει να συμβουλευούνται τους γιατρούς τους, πριν τη χρήση αυτού του προϊόντος. Η λειτουργία ηλεκτρολογικού εξοπλισμού κοντά σε βηματοδότη μπορεί να προκαλέσει παρεμβολές ή βλάβη στο βηματοδότη.

### ΣΥΜΒΟΛΑ ΑΣΦΑΛΕΙΑΣ



Προειδοποίηση ασφαλείας



Φοράτε προστατευτικά γυαλιά - Φοράτε πάντοτε προστατευτικά γυαλιά ή γυαλιά ασφαλείας με πλευρική προστασία και πλήρη προστατευτική προσωπίδα κατά τη χρήση αυτού του προϊόντος.



Φοράτε προστατευτικά ακοής - Φοράτε πάντα προστατευτικά ακοής όταν χρησιμοποιείτε αυτό το προϊόν.



Φοράτε προστασία για το κεφάλι - Φοράτε ένα εγκεκριμένο για την ασφάλεια κράνος για την προστασία του κεφαλιού σας.



Μην εγκαθιστάτε στρογγυλές λεπίδες κοπής.



Πλάτος - Μέγιστο πλάτος κοπής χλοοκοπτικού με μεσινέζα

GR



Εξασφαλίστε ότι άλλα άτομα ή κατοικίδια παραμένουν σε απόσταση τουλάχιστον 15 m από το χλοοκοπτικό με μεσινέζα όταν αυτό χρησιμοποιείται.



Εγγυημένη στάθμη ηχητικής ισχύος. Εκπομπές θορύβου στο περιβάλλον σύμφωνα με την οδηγία της Ευρωπαϊκής Ένωσης.



Τα απόβλητα ηλεκτρικών προϊόντων δεν πρέπει να απορρίπτονται μαζί με τα οικιακά απορρίμματα. Παραδώστε τα σε εξουσιοδοτημένη μονάδα ανακύκλωσης.

$n_0$

Ταχύτητα χωρίς φορτίο-Ταχύτητα περιστροφής, χωρίς φορτίο



Συνεχές ρεύμα

## ΣΥΜΒΟΛΑ ΑΣΦΑΛΕΙΑΣ

**⚠️ ΠΡΟΕΙΔΟΠΟΙΗΣΗ:** Η λειτουργία ηλεκτρικών εργαλείων μπορεί να προκαλέσει την εκτόξευση ξένων αντικειμένων στα μάτια σας, με αποτέλεσμα σοβαρό τραυματισμό. Πρωτό ξεκινήσετε τη χρήση του ηλεκτρικού εργαλείου, φοράτε πάντα προστατευτικά γυαλιά ή γυαλιά με πλευρική προστασία και, εφόσον απαιτείται, πλήρη προστατευτική προσωπίδα. Συνιστούμε μια προσωπίδα ασφαλείας ευρείας άρασης, για χρήση πάνω από γυαλιά ή τα συνήθη προστατευτικά γυαλιά με πλευρική προστασία.



Προκειμένου να μειωθεί ο κίνδυνος τραυματισμού, ο χρήστης πρέπει να διαβάσει το εγχειρίδιο χρήσης.



Φοράτε υποδήματα ασφαλείας - Φοράτε αντιολισθητικά υποδήματα ασφαλείας όταν χρησιμοποιείτε αυτό τον εξοπλισμό.



Φοράτε προστατευτικά γάντια - Προστατεύετε τα χέρια σας με γάντια κατά το χειρισμό της λεπίδας ή της καλύπτρας της λεπίδας.



Προσέχετε την αναπήδηση της λεπίδας - Ο χειριστής πρέπει να έχει πάντα το νου του στον κίνδυνο ανάκρουσης της λεπίδας.



Διάμετρος - Διάμετρος της νάιλον μεσινέζας



Αντικείμενα που πετιούνται μπορεί να εξοστρακιστούν και να προκύψει ατομικός τραυματισμός ή ζημιά στην ιδιοκτησία. Εξασφαλίστε ότι άλλα άτομα ή κατοικίδια παραμένουν τουλάχιστον μακριά από το θαμνοκοπτικό όταν αυτό χρησιμοποιείται.



Να μην χρησιμοποιείται στη βροχή και να μη μένει σε εξωτερικό χώρο όταν βρέχει.



Αυτό το προϊόν συμμορφώνεται με τις εφαρμοστέες οδηγίες της ΕΚ.

V Τάση

.../min Ανά λεπτό

kg Κιλό

## ΤΕΧΝΙΚΕΣ ΠΡΟΔΙΑΓΡΑΦΕΣ

|   |                                  |  |  |
|---|----------------------------------|--|--|
|   | Κεφαλή χλοοκοπτικού              | Λεπίδα με 3 δόντια                         |  |
| Τάση  | 56 V $\text{---}$                | 56 V $\text{---}$                          |  |
| Συνιστώμενη θερμοκρασία λειτουργίας:                        | 0°C-40°C                         |  |  |
| Συνιστώμενη θερμοκρασία αποθήκευσης:                        | -20°C-70°C                       |  |  |
| Βέλτιστη θερμοκρασία φόρτισης                               | 5°C-40°C                         |  |  |
| Ταχύτητα χωρίς φορτίο                                       | 5000/6000 $\text{min}^{-1}$      | 5000/6000 $\text{min}^{-1}$                |  |
| Τύπος μεσινέζας   | 2,4mm                            | /  |  |
| Λεπίδα κοπής  | /                                | ABB1203                                    |  |
| Πλάτος κοπής  | 38 cm                            | 30cm                                       |  |
| Βάρος (χωρίς συστοιχία μπαταριών)                           | 4,21Kg                           | 4,45 kg                                    |  |
| Μετρημένη στάθμη ηχητικής ισχύος $L_{WA}$                   | 94,6 dB(A)<br>K=1,8 dB(A)        | 96,5 dB(A)<br>K=1,88 dB(A)                 |  |
| Στάθμη ηχητικής πίεσης στο αυτί του χειριστή $L_{PA}$       | 81,7 dB(A)<br>K=2,5 dB(A)        | 76,5 dB(A)<br>K=3 dB(A)                    |  |
| Εγγυημένη στάθμη ηχητικής ισχύος $L_{WA}$ (κατά 2000/14/ΕΚ) | 96 dB(A)                         | 98 dB(A)                                   |  |
| Δόνηση $a_h$  | Χειρολαβή μπροστινής υποβοήθησης | 3,2 $\text{m/s}^2$<br>K=1,5 $\text{m/s}^2$ | 2,8 $\text{m/s}^2$<br>K=1,6 $\text{m/s}^2$ |
|   | Πίσω χειρολαβή                   | 2,3 $\text{m/s}^2$<br>K=1,5 $\text{m/s}^2$ | 3,1 $\text{m/s}^2$<br>K=1,6 $\text{m/s}^2$ |

- Η αναφερόμενη συνολική τιμή κραδασμών έχει μετρηθεί σύμφωνα με την πρότυπη μέθοδο ελέγχου και μπορεί να χρησιμοποιηθεί για τη σύγκριση ενός εργαλείου με κάποιο άλλο.
- Η αναφερόμενη συνολική τιμή κραδασμών μπορεί να χρησιμοποιηθεί, επίσης, για την προκαταρκτική αξιολόγηση της έκθεσης.

**ΣΗΜΕΙΩΣΗ:** Οι εκπομπές κραδασμών κατά τη διάρκεια της πραγματικής χρήσης του ηλεκτρικού εργαλείου μπορεί να διαφέρουν από τη δηλωμένη τιμή στην οποία χρησιμοποιείται το εργαλείο. Για την προστασία του χειριστή, πρέπει να χρησιμοποιούνται γάντια και προστασία της ακοής στις πραγματικές συνθήκες χρήσης.

## ΠΕΡΙΓΡΑΦΗ

### ΓΝΩΡΙΣΤΕ ΤΟ ΧΛΟΟΚΟΠΤΙΚΟ ΜΕ ΜΕΣΙΝΕΖΑ

#### (Εικ. Α1)

1. Δακτύλιος κατωφλίου
2. Σκανδάλη
3. Πίσω χειρολαβή
4. Είσοδος αέρα
5. Κουμπί απασφάλισης
6. Διακόπτης υψηλής/χαμηλής ταχύτητας
7. Γάντζος στηρίγματος μάντα ωμου
8. Ρυθμιζόμενη λαβή μπροστινής υποβοήθησης
9. Ιμάντας ώμου
10. Κλειδί πολλαπλών λειτουργιών
11. Εξάγωνο κλειδί
12. Κεφαλή χλοοκοπτικού (κεφαλή πρόσκρουσης)
13. Μεσινέζα
14. Γλωπίδα αποδέσμευσης
15. Λεπίδα κοπής μεσινέζας
16. Καλύπτρα
17. Μηχανισμός εκτόξευσης
18. Ηλεκτρικές επαφές
19. Μάνταλο
20. Προστατευτικό ελαστικό πατάκι
21. Κουμπί απελευθέρωσης της συστοιχίας μπαταριών
22. Μπάρα ασφάλειας (μόνο για κεφαλή θαμνοκοπτικού)
23. Ράβδος ασφάλισης για μπάρα ασφάλειας (μόνο για κεφαλή θαμνοκοπτικού)
24. Εξωτερική φλάντζα (μόνο για κεφαλή θαμνοκοπτικού)
25. Παξιμάδι (μόνο για κεφαλή θαμνοκοπτικού)
26. Βίδες (μόνο για κεφαλή θαμνοκοπτικού)

## ΚΑΤΑΛΟΓΟΣ ΕΞΑΡΤΗΜΑΤΩΝ ΣΥΣΚΕΥΑΣΙΑΣ

| ΟΝΟΜΑ ΕΞΑΡΤΗΜΑΤΟΣ                   | ΠΟΣΟΤΗΤΑ |
|-------------------------------------|----------|
| Χλοοκοπτικό με μεσινέζα             | 1        |
| Καλύπτρα                            | 1        |
| Μονάδα λαβής μπροστινής υποβοήθησης | 1        |
| Εξάγωνο κλειδί                      | 1        |
| Πολλαπλό κλειδί                     | 1        |
| Ιμάντας ώμου                        | 1        |
| Εγχειρίδιο χρήσης                   | 1        |
| Ράβδος ασφάλισης                    | 1        |
| Εξωτερική φλάντζα                   | 1        |
| Παξιμάδι                            | 1        |
| Βίδα                                | 2        |

GR

## ΣΥΝΑΡΜΟΛΟΓΗΣΗ

### ΠΡΟΣΑΡΤΗΣΗ ΚΑΛΥΠΤΡΑΣ

1. Ξεβιδώστε και αφαιρέστε τις δύο βίδες από την καλύπτρα (Εικ. Β).

- Ευθυγραμμίστε τις σπές τοποθέτησης προστατευτικού με τις σπές συναρμολόγησης και, στη συνέχεια, ασφαλίστε την καλύτερα επάνω στη βάση άξονα με τις δύο βίδες, μαζί με τα δύο γκρόβερ (Εικ. C).

**ΣΗΜΕΙΩΣΗ:** Εξασφαλίστε ότι η καλύτερα έχει προσαρτηθεί σύμφωνα με τις Εικ. Β και C, ενώ οποιαδήποτε αντίστροφη προσάρτηση ενέχει εξαιρετικά μεγάλο κίνδυνο!

## ΤΟΠΟΘΕΤΗΣΗ ΚΑΙ ΡΥΘΜΙΣΗ ΤΗΣ ΛΑΒΗΣ ΜΠΡΟΣΤΙΝΗΣ ΥΠΟΒΟΗΘΗΣΗΣ

- Ξεβιδώστε τη ράβδο ασφάλισης από τη χειρολαβή μπροστινής υποβοήθησης και αφαιρέστε τη ράβδο ασφάλισης και την πεταλούδα από τη χειρολαβή (Εικ. D).

**ΣΗΜΕΙΩΣΗ:** Εγκαταστήστε τη διάταξη της μπάρας ασφάλειας πάνω στη στρόγγυλη χειρολαβή με τις δυο βίδες, εφόσον το εργαλείο είναι εξοπλισμένο με κεφαλή θαμνοκοπτικού.

**ΣΗΜΕΙΩΣΗ:** Υπάρχουν δύο είδη ράβδων ασφάλισης. Η κοντύτερη είναι για χρήση με την κεφαλή χλοοκοπτικού. Η μακρύτερη είναι για χρήση με την κεφαλή θαμνοκοπτικού. Φροντίστε να επιλέξετε τη σωστή ράβδο ασφάλισης για την εκάστοτε χρήση.

|     |                             |     |   |
|-----|-----------------------------|-----|---|
| D-1 | Λαβή μπροστινής υποβοήθησης | D-4 | Μπάρα ασφάλειας (μόνο για κεφαλή θαμνοκοπτικού) |
| D-2 | Μπλοκ σύσφιξης              | D-5 | Ράβδος ασφάλισης                                |
| D-3 | Πεταλούδα                   |     |   |

- Πιέστε την μπροστινή χειρολαβή πάνω στον άξονα, στον μπροστινό δακτύλιο κατωφλίου. Μην την τοποθετήσετε ποτέ μεταξύ του δακτυλίου κατωφλίου και την περιοχής της πίσω χειρολαβής (Εικ. E).
- Εισαγάγετε το μπλοκ σύσφιξης μέσα στην εσοχή λαβής (Εικ. F).
- Προσαρτήστε τη ράβδο ασφάλισης και συσφίξτε την αρχικά με την πεταλούδα. Εξασφαλίστε ότι η λαβή μπροστινής υποβοήθησης είναι προς τα επάνω και δείχνει προς το άνω μέρος της πίσω λαβής (Εικ. G).
- Ρυθμίστε τη λαβή μπροστινής υποβοήθησης μεταξύ του δακτυλίου κατωφλίου και την ετικέτα, ώστε να εξασφαλίσετε ότι ο μπροστινός σας βραχίονας είναι ίσιος κατά τη λειτουργία (Εικ. H).
- Ασφαλίστε το μοχλό της ράβδου ασφάλισης. (Εικ. I).

**⚠️ ΠΡΟΕΙΔΟΠΟΙΗΣΗ:** Το εργαλείο δεν μπορεί να χρησιμοποιηθεί χωρίς να έχει στερεωθεί με ασφάλεια η λαβή μπροστινής υποβοήθησης.

## ΤΟΠΟΘΕΤΗΣΗ ΤΟΥ ΙΜΑΝΤΑ ΩΜΟΥ

Πατήστε το άγκιστρο ιμάντα για να το ανοίξετε και προσαρτήστε το στον γάντζο στηρίγματος ιμάντα ώμου (Εικ. J).

## ΛΕΙΤΟΥΡΓΙΑ

**⚠️ ΠΡΟΕΙΔΟΠΟΙΗΣΗ:** Φοράτε πάντα προστατευτικά γυαλιά ή προστασία για τα μάτια με πλάγια προστατευτικά μαζί με προστασία ακοής. Σε αντίθετη περίπτωση, είναι πιθανό να υπάρξει εκτόξευση αντικείμενων στα μάτια σας και άλλοι πιθανοί σοβαροί τραυματισμοί.

Μπορείτε να χρησιμοποιήσετε αυτό το προϊόν για τους ακόλουθους σκοπούς:

**Ξάκρισμα:** Χρησιμοποιείται για την απομάκρυνση γρασιδιού και αγριόχορτων σε τοίχους, φράχτες, δέντρα και όρια.

**Κοπή:** Χρησιμοποιείται για την κοπή γρασιδιού, στο οποίο η πρόσβαση είναι δύσκολη με κανονικό χορτοκοπτικό μηχάνημα.

**ΣΗΜΕΙΩΣΗ:** Το εργαλείο πρέπει να χρησιμοποιείται μόνο για την προβλεπόμενη χρήση. Οποιαδήποτε άλλη χρήση, για παράδειγμα, το ξάκρισμα, θα εκληφθεί ως μη ορθή χρήση.

## ΠΡΟΣΑΡΤΗΣΗ/ΑΠΟΜΑΚΡΥΝΣΗ ΤΗΣ ΣΥΣΤΟΙΧΙΑΣ ΜΠΑΤΑΡΙΩΝ

Να χρησιμοποιείται μόνο με τις συστοιχίες μπαταριών και τους φορτιστές που αναφέρονται στην εικ. A2.

### Φορτίστε πλήρως πριν από την πρώτη χρήση.

#### Προσάρτηση

Ευθυγραμμίστε τις πλευρές της μπαταρίας με τις σπές τοποθέτησης και πιέστε τη συστοιχία μπαταριών προς τα κάτω, μέχρι να ακούσετε ένα «κλικ» (Εικ. K).

#### Αφαίρεση

Πιέστε το κουμπί αποδέσμευσης μπαταρίας και βγάλτε έξω τη συστοιχία μπαταριών, όπως φαίνεται στην Εικ. L.

L-1 | Κουμπί απελευθέρωσης της συστοιχίας μπαταριών

## ΚΡΑΤΗΜΑ ΤΟΥ ΧΛΟΟΚΟΠΤΙΚΟΥ ΜΕ ΜΕΣΙΝΕΖΑ

Για ασφαλή και καλύτερη λειτουργία, τοποθετήστε τον ιμάντα ώμου διαγώνια στον ώμο, όπως φαίνεται στην Εικ. N. Ρυθμίστε τον ιμάντα ώμου σε μια άνετη θέση λειτουργίας. Κρατάτε το χλοοκοπτικό και με τα δύο χέρια: Ένα χέρι στην πίσω λαβή και το άλλο χέρι στη λαβή μπροστινής υποβοήθησης.

**ΣΗΜΕΙΩΣΗ:** Η κεφαλή χορτοκοπτικού πρέπει να είναι παράλληλα προς το έδαφος σε μια σωστή απόσταση κοπής χωρίς ο χειριστής να σκύβει (Εικ. N).

Υπάρχουν δύο τρόποι αποδέσμευσης του ιμάντα. Αφαιρέστε από τον ώμο σας απευθείας (Εικ. O) ή πιέστε το άγκιστρο του ιμάντα και διαχωρίστε το από το γάντζο στηρίγματος ιμάντα ώμου που υπάρχει προσαρτημένος στον άξονα (Εικ. P).

**⚠ ΠΡΟΕΙΔΟΠΟΙΗΣΗ:** Ο μβάντας ώμο είναι επίσης ένας μηχανισμός γρήγορης αποδέσμευσης σε κάποια επικίνδυνη κατάσταση. Σε μια επείγουσα κατάσταση, αφαιρέστε τον από τον ώμο σας αμέσως, ανεξάρτητα από τη θέση του μβάντα.

### ΕΝΕΡΓΟΠΟΙΗΣΗ/ΑΠΕΝΕΡΓΟΠΟΙΗΣΗ ΤΟΥ ΧΛΟΟΚΟΠΤΙΚΟΥ ΜΕ ΜΕΣΙΝΕΖΑ (Εικ. Μ)

#### Ενεργοποίηση

Πατήστε κάτω το μοχλό ασφάλισης και πιέστε τη σκανδάλη. Διαφορετική πίεση στη σκανδάλη επιφέρει μεταβλητή ταχύτητα περιστροφής της μεσινέζας. Περισσότερη πίεση, υψηλότερη ταχύτητα.

#### Απενεργοποίηση

Απελευθερώστε τη σκανδάλη.

**ΣΗΜΕΙΩΣΗ:** Ο κινητήρας λειτουργεί μόνο όταν το κουμπί ασφάλισης και η σκανδάλη πιέζονται μαζί.

#### Λειτουργία ρύθμισης ταχύτητας (Εικ. Μ)

Το χλοοκοπτικό με μεσινέζα διαθέτει δύο ταχύτητες. Η θέση «1» προορίζεται για χαμηλή ταχύτητα, ενώ η θέση «2» για υψηλή ταχύτητα.

|     |                                    |
|-----|------------------------------------|
| M-1 | Διακόπτης υψηλής/χαμηλής ταχύτητας |
| M-2 | Κουμπί απασφάλισης                 |
| M-3 | Σκανδάλη                           |

### ΧΡΗΣΗ ΤΟΥ ΧΛΟΟΚΟΠΤΙΚΟΥ ΜΕ ΜΕΣΙΝΕΖΑ

Καθαρίζετε την περιοχή κοπής πριν από κάθε χρήση. Απομακρύνετε όλα τα αντικείμενα, όπως πέτρες, σπασμένα γυαλιά, καρφιά, σύρματα ή μεσινέζες, τα οποία μπορεί να πεταχθούν ή να μπερδευτούν στο προσάρτημα κοπής. Απομακρύνετε παιδιά, παρευρισκόμενους και κατοικίδια από το χώρο. Τα παιδιά, οι παρευρισκόμενοι και τα κατοικίδια πρέπει να βρίσκονται σε απόσταση τουλάχιστον 15 m. Ενδέχεται να εξακολουθεί να υπάρχει κίνδυνος για τους παρευρισκόμενους λόγω εκτοξευόμενων αντικειμένων. Ενηθαρρύνετε τους παρευρισκόμενους να φορούν προστασία για τα μάτια. Εάν σας προσεγγίσει κάποιος, απενεργοποιήστε αμέσως τον κινητήρα και το προσάρτημα κοπής.

#### Πριν από κάθε χρήση, ελέγχετε για τυχόν εξαρτήματα με ζημιές/φθορές

Ελέγχετε την κεφαλή πρόσκρουσης, την καλύπτρα και τη λαβή μπροστινής υποβοήθησης και αντικαθιστάτε τα εξαρτήματα που έχουν ρωγμές, παραμόρφωση, λυγίσματα ή ζημιές οποιουδήποτε είδους.

Η λεπίδα κοπής μεσινέζας στην άκρη της καλύπτρας μπορεί να στομώσει με την πάροδο του χρόνου. Συνιστάται να την τροχίζετε ανά τακτά χρονικά διαστήματα με μια λίμα ή να την αντικαθιστάτε με νέα.

**Μετά από κάθε χρήση, καθαρίζετε το χλοοκοπτικό.**

#### ΡΥΘΜΙΣΗ ΜΗΚΟΥΣ ΤΗΣ ΜΕΣΙΝΕΖΑΣ

Η κεφαλή χλοοκοπτικού επιτρέπει στον χειριστή να αποδεσμεύσει περισσότερη μεσινέζα χωρίς να σβήσει τον κινητήρα. Καθώς η μεσινέζα ξεφτίζει ή φθείρεται, μπορεί να αποδεσμευτεί περισσότερη, πατώντας ελαφρά την κεφαλή χλοοκοπτικού στο έδαφος, ενώ λειτουργεί το χλοοκοπτικό (Εικ. Q).

**ΣΗΜΕΙΩΣΗ:** Η αποδέσμευση μεσινέζας θα είναι πιο δύσκολη όσο κονταίνει.

**⚠ ΠΡΟΕΙΔΟΠΟΙΗΣΗ:** Μην απομακρύνετε ή τροποποιείτε τη μονάδα λεπίδας μεσινέζας. Υπερβολικά μεγάλο μήκος μεσινέζας θα προκαλέσει υπερθέρμανση στον κινητήρα και μπορεί να προκύψει σοβαρός τραυματισμός.

#### ΑΝΤΙΚΑΤΑΣΤΑΣΗ ΜΕΣΙΝΕΖΑΣ

**ΣΗΜΕΙΩΣΗ:** Χρησιμοποιείτε την προτεινόμενο νάilon μεσινέζα με διάμετρο που δεν υπερβαίνει τα 2,4 mm. Η χρήση διαφορετικής μεσινέζας μπορεί να προκαλέσει υπερθέρμανση ή ζημιά στο χλοοκοπτικό με μεσινέζα.

**⚠ ΠΡΟΕΙΔΟΠΟΙΗΣΗ:** Μη χρησιμοποιείτε ποτέ μεσινέζα ενισχυμένη με μέταλλο, καλώδιο ή σχηνί. Αυτά μπορεί να σπάσουν και να εκτοξευθούν.

1. Αφαιρέστε τη συστοιχία μπαταριών.
2. Απομακρύνετε την υπόλοιπη μεσινέζα, εφόσον απαιτηθεί.
3. Κόψτε 4 m μεσινέζας και εισαγάγετέ την στην οπή τοποθέτησης μέσα στο φθαλμίδιο (Εικ. R). Ωθήστε και τραβήξτε τη μεσινέζα από την άλλη πλευρά, μέχρι να προκύψει το ίδιο μήκος μεσινέζας και στις δύο πλευρές του καρουλιού.
4. Πιέστε, ενώ περιστρέψετε το κάτω συγκρότημα καλύμματος στην κατεύθυνση βέλους, για να τυλίξετε τη μεσινέζα στο καρούλι, μέχρι να προεξέχουν περίπου 14 cm μεσινέζας σε κάθε πλευρά (Εικ. S).
5. Πιέστε το κάτω συγκρότημα καλύμματος προς κάτω, ενώ τραβάτε τις μεσινέζες για να προωθήσετε χειροκίνητα τη μεσινέζα και να ελέγξετε τη σωστή συναρμολόγηση της κεφαλής χλοοκοπτικού.

Εάν σπάσει η μεσινέζα στην έξοδο μεσινέζας ή η μεσινέζα δεν αποδεσμευτεί όταν χτυπηθεί η κεφαλή χλοοκοπτικού, ακολουθήστε τα κατωτέρω βήματα:

1. Πιέστε τις γλωπίδες αποδέσμευσης στο άνω κάλυμμα και απομακρύνετε το κάτω συγκρότημα καλύμματος τραβώντας το ίσια προς τα έξω (Εικ. T και U).
2. Αφαιρέστε τη μεσινέζα από το καρούλι.
3. Κρατώντας με το ένα χέρι το συγκρότημα κάτω καλύμματος, χρησιμοποιήστε το άλλο χέρι για να πιάσετε το κάτω συγκρότημα καλύμματος και

ευθυγραμμίστε τις γλωπίδες στο κάτω κάλυμμα με τις οπές στο κάτω συγκρότημα καλύμματος (Εικ. V). Χρησιμοποιήστε την παλάμη σας για να πιέσετε το κάτω συγκρότημα κάτω καλύμματος, μέχρι οι γλωπίδες να ασφαλισουν με το άνω κάλυμμα.

4. Ακολουθήστε τις οδηγίες της ενότητας «ΑΝΤΙΚΑΤΑΣΤΑΣΗ ΜΕΣΙΝΕΖΑΣ» για να τοποθετήσετε νέα μεσινέζα.

## ΑΝΤΙΚΑΤΑΣΤΑΣΗ ΛΕΠΙΔΑΣ ΜΕ 3 ΔΟΝΤΙΑ

1. Αφαιρέστε το συγκρότημα κάτω καλύμματος, σύμφωνα με τις Εικ. T και U.
2. Εισαγάγετε τον σταθεροποιητή και χρησιμοποιήστε ένα σωληνωτό κλειδί για να ξεβιδώσετε το παξιμάδι, σύμφωνα με τις Εικ. X1 και X2.
3. Αφαιρέστε όλα τα εξαρτήματα, εκτός από την εσωτερική φλάντζα και το παξιμάδι (Εικ. X3), και τοποθετήστε τη λεπίδα πάνω στον άξονα κινητήρα, σύμφωνα με την Εικ. X4.
4. Σφίξτε τη λεπίδα, σύμφωνα με την Εικ. X5.

## ΣΥΝΤΗΡΗΣΗ

**▲ ΠΡΟΕΙΔΟΠΟΙΗΣΗ:** Κατά τη συντήρηση του εργαλείου, χρησιμοποιείτε μόνο όμοια ανταλλακτικά. Ελέγχετε και συντηρείτε τακτικά τη μηχανή. Για να διασφαλιστεί η ασφάλεια και η αξιοπιστία, όλες οι επισκευές πρέπει να διεξάγονται από εξειδικευμένο τεχνικό σέρβις.

**▲ ΠΡΟΕΙΔΟΠΟΙΗΣΗ:** Προκειμένου να αποφευχθεί σοβαρός τραυματισμός, αποσυνδέστε τη συστοιχία μπαταριών από το εργαλείο πριν από τη συντήρηση, τον καθαρισμό, την αλλαγή προσαρτημάτων ή την αφαίρεση υλικού από τη μονάδα.

**▲ ΠΡΟΣΟΧΗ:** Τα εμπόδια στις οπές εμποδίζουν ροή του αέρα στο περίβλημα κινητήρα και προκαλούν υπερθέρμανση ή τη ζημιά σε αυτόν.

## ΚΑΘΑΡΙΣΜΟΣ ΤΗΣ ΜΟΝΑΔΑΣ

- Καθαρίζετε τη μονάδα, χρησιμοποιώντας ένα νωπό πανί με ήπιο απορρυπαντικό. Δεν πρέπει να εισχωρήσουν υγρά στο εσωτερικό του εργαλείου. Μη βυθίζετε ποτέ οποιοδήποτε τμήμα του εργαλείου σε υγρά.
- Μη χρησιμοποιήσετε κανένα δραστικό απορρυπαντικό πάνω στο πλαστικό περίβλημα ή τη λαβή. Αυτά μπορούν να καταστραφούν από ορισμένα αρωματικά έλαια, όπως πεύκο και λεμόνι, καθώς και από διαλύτες, όπως η κηροζίνη. Η υγρασία μπορεί, επίσης, να προκαλέσει κίνδυνο ηλεκτροπληξίας. Σκουπίζετε την ενδεχόμενη υγρασία με ένα μαλακό στεγνό πανί.
- Χρησιμοποιείτε μια μικρή βούρτσα ή την έξοδο αέρα

μιας μικρής ηλεκτρικής αναρροφητικής βούρτσας για να καθαρίσετε τις οπές αερισμού και το πίσω περίβλημα.

- Διατηρείτε πάντοτε τις οπές αερισμού στο περίβλημα κινητήρα και τον άξονα ελεύθερα από υπολείμματα.

## ΛΙΠΑΝΣΗ ΣΥΣΤΗΜΑΤΟΣ ΟΔΟΝΤΟΤΡΟΧΩΝ

Το σύστημα οδοντοτροχών στο κιβώτιο γραναζιών πρέπει να λιπαίνεται περιοδικά με το γράσο μειωτήρων. Ελέγχετε ανά περίπου 50 ώρες λειτουργίας τη στάθμη γράσου στο κιβώτιο γραναζιών, αφαιρώντας τη βίδα στεγανοποίησης στα πλάγια του κιβωτίου.

Εάν δεν φαίνεται γράσο στις πλευρικές επιφάνειες του μειωτήρα, ακολουθήστε τα παρακάτω βήματα για να συμπληρώσετε γράσο μειωτήρων έως την ένδειξη 3/4. Μην γεμίσετε έως πάνω το σύστημα οδοντοτροχών.

1. Κρατάτε το χλοοκοπτικό με μεσινέζα στα πλάγια, έτσι ώστε η βίδα στεγανοποίησης να βλέπει προς τα επάνω (Εικ. W).
2. Χρησιμοποιήστε το παρεχόμενο κλειδί πολλαπλών λειτουργιών για να λασκάρτε και να απομακρύνετε τη βίδα στεγανοποίησης.
3. Χρησιμοποιήστε μια σύριγγα γράσου (δεν περιλαμβάνεται) για να εισαγάγετε λίγο γράσο μέσα στην οπή βίδας. Μην υπερβείτε την ένδειξη 3/4.
4. Σφίξτε τη βίδα στεγανοποίησης μετά την έγχυση γράσου.

## ΑΠΟΘΗΚΕΥΣΗ ΤΗΣ ΜΟΝΑΔΑΣ

- Απομακρύνετε τη συστοιχία μπαταριών από το χλοοκοπτικό όταν δεν χρησιμοποιείται.
- Καθαρίστε σχολαστικά το εργαλείο προτού το αποθηκεύσετε.
- Αποθηκεύετε τη μονάδα σε έναν στεγνό, καλά αεριζόμενο χώρο, κλειδωμένο ή σε ψηλό σημείο, εκτός εμβέλειας παιδιών. Μην αποθηκεύετε τη μονάδα επάνω ή δίπλα σε λιπάσματα, βενζίνη ή άλλες χημικές ουσίες.

## Προστασία του περιβάλλοντος



Μη απορρίπτετε ηλεκτρικό εξοπλισμό, παλιές μπαταρίες και φορτιστές στα οικιακά απορρίμματα! Μεταφέρετε αυτό το προϊόν σε εξουσιοδοτημένο κέντρο ανακύκλωσης και παραδώστε το για ξεχωριστή συλλογή. Τα ηλεκτρικά εργαλεία πρέπει να επιστρέφονται σε περιβαλλοντικά συμβατή μονάδα ανακύκλωσης.

## ΑΝΤΙΜΕΤΩΠΙΣΗ ΠΡΟΒΛΗΜΑΤΩΝ

| ΠΡΟΒΛΗΜΑ  | ΑΙΤΙΑ   | ΑΝΤΙΜΕΤΩΠΙΣΗ   |
|---|---|--|
| Το χλοοκοπτικό με μεσινέζα δεν εκκινείται.          | <ul style="list-style-type: none"> <li>■ Η συστοιχία μπαταριών δεν έχει προσαρτηθεί στο χλοοκοπτικό.</li> <li>■ Δεν υπάρχει ηλεκτρική επαφή μεταξύ του χλοοκοπτικού και της μπαταρίας.</li> <li>■ Η συστοιχία μπαταριών έχει αδειάσει.</li> <li>■ Το κουμπί ασφάλισης και η σκανδάλη δεν πατήθηκαν ταυτόχρονα.</li> </ul>   | <ul style="list-style-type: none"> <li>■ Τοποθετήστε τη συστοιχία μπαταριών στο χλοοκοπτικό.</li> <li>■ Απομακρύνετε τη συστοιχία μπαταριών, ελέγξτε τις επαφές και εγκαταστήστε τη συστοιχία μπαταριών εκ νέου.</li> <li>■ Φορτίστε τη συστοιχία μπαταριών.</li> <li>■ Πιέστε το κουμπί ασφάλισης προς τα κάτω και διατηρήστε το πιεσμένο, και στη συνέχεια, πιέστε τη σκανδάλη για να ενεργοποιήσετε το χλοοκοπτικό μεσινέζας.</li> </ul>  |
| Το χλοοκοπτικό με μεσινέζα σταματάει κατά την κοπή. | <ul style="list-style-type: none"> <li>■ Η καλύπτρα δεν έχει τοποθετηθεί στο χλοοκοπτικό με αποτέλεσμα μια εξαιρετικά μακριά μεσινέζα και την υπερφόρτωση του κινητήρα.</li> <li>■ Χρησιμοποιείται βαριά μεσινέζα.</li> <li>■ Ο άξονας κινητήρα ή η κεφαλή χλοοκοπτικού έχουν μπλοκάρει με γρασίδι.</li> <li>■ Ο κινητήρας έχει υπερφορτωθεί.</li> <li>■ Η συστοιχία μπαταριών ή το χλοοκοπτικό με μεσινέζα είναι υπερβολικά ζεστά.</li> <li>■ Η συστοιχία μπαταριών έχει αποσυνδεθεί από το εργαλείο.</li> <li>■ Η συστοιχία μπαταριών έχει αδειάσει.</li> </ul> | <ul style="list-style-type: none"> <li>■ Απομακρύνετε τη συστοιχία μπαταριών και τοποθετήστε την καλύπτρα στο χλοοκοπτικό.</li> <li>■ Χρησιμοποιείτε την προτεινόμενη νάιλον μεσινέζα με διάμετρο που να μην ξεπερνάει τα 2,4 mm.</li> <li>■ Απενεργοποιήστε το χλοοκοπτικό, απομακρύνετε τη μπαταρία και απομακρύνετε το γρασίδι από τον άξονα κινητήρα και την κεφαλή χλοοκοπτικού.</li> <li>■ Απομακρύνετε την κεφαλή χλοοκοπτικού από το γρασίδι. Ο κινητήρας θα συνεχίσει να λειτουργεί μόλις αφαιρεθεί το φορτίο. Κατά την κοπή μετακινείτε την κεφαλή χλοοκοπτικού μέσα και έξω από το γρασίδι που θα κοπεί και μην κόβετε σε μήκος πάνω από 20 cm με μια μόνο κοπή.</li> <li>■ Αφήστε να κρυώσει η συστοιχία μπαταριών ή το χλοοκοπτικό, μέχρι να πέσει κάτω από τους 67°C η θερμοκρασία.</li> <li>■ Επανεγκαταστήστε τη συστοιχία μπαταριών.</li> <li>■ Φορτίστε τη συστοιχία μπαταριών.</li> </ul> |

GR

| ΠΡΟΒΛΗΜΑ  | ΑΙΤΙΑ  | ΑΝΤΙΜΕΤΩΠΙΣΗ   |
|---|--|--|
| <p>Η κεφαλή χλοοκοπτικού δεν προωθεί τη μεσινέζα.</p>   | <ul style="list-style-type: none"> <li>■ Ο άξονας κινητήρα ή η κεφαλή χλοοκοπτικού έχουν μπλοκάρει με γρασίδι.</li> <li>■ Δεν υπάρχει επαρκής μεσινέζα στο καρούλι.</li> <li>■ Η κεφαλή χλοοκοπτικού είναι βρώμικη.</li> <li>■ Η μεσινέζα έχει μπλοκάρει στο καρούλι.</li> <li>■ Η μεσινέζα είναι υπερβολικά κοντή.</li> </ul> | <ul style="list-style-type: none"> <li>■ Απενεργοποιήστε το χλοοκοπτικό, απομακρύνετε τη μπαταρία και καθαρίστε τον άξονα κινητήρα και την κεφαλή χλοοκοπτικού.</li> <li>■ Αφαιρέστε την μπαταρία και αντικαταστήστε τη μεσινέζα. Ακολουθήστε τις οδηγίες της ενότητας «ΑΝΤΙΚΑΤΑΣΤΑΣΗ ΜΕΣΙΝΕΖΑΣ» στο παρόν εγχειρίδιο.</li> <li>■ Αφαιρέστε την μπαταρία και καθαρίστε την κεφαλή χλοοκοπτικού.</li> <li>■ Αφαιρέστε την μπαταρία, αφαιρέστε τη μεσινέζα από την κεφαλή χλοοκοπτικού και ξανατυλίξτε. Ακολουθήστε τις οδηγίες της ενότητας «ΕΠΑΝΑΦΟΡΤΩΣΗ ΤΟΥ ΝΗΜΑΤΟΣ ΚΟΠΗΣ» στο παρόν εγχειρίδιο.</li> <li>■ Απομακρύνετε τη μπαταρία και τραβήξτε τη μεσινέζα με το χέρι, ενώ πιέζετε προς τα κάτω και αποδεσμεύετε διαδοχικά την κεφαλή χλοοκοπτικού.</li> </ul> |
| <p>Τυλίγεται γρασίδι γύρω από την κεφαλή χλοοκοπτικού και το περίβλημα κινητήρα.</p>                      | <ul style="list-style-type: none"> <li>■ Κοπή ψηλού γρασιδιού σε επίπεδο εδάφους.</li> </ul>   | <ul style="list-style-type: none"> <li>■ Κόβετε ψηλό γρασίδι από επάνω προς τα κάτω, απομακρύνοντας όχι περισσότερα από 20 cm σε κάθε διέλευση, ώστε να εμποδίσετε την τύλιξη.</li> </ul>  |
| <p>Ρωγμές στην κεφαλή χλοοκοπτικού ή το συγκρότημα κάτω καλύμματος αποδεσμεύεται από ο επάνω κάλυμμα.</p> | <ul style="list-style-type: none"> <li>■ Η κεφαλή χλοοκοπτικού έχει φθαρεί.</li> </ul>   | <ul style="list-style-type: none"> <li>■ Αναθέστε αμέσως την αντικατάσταση της κεφαλής χλοοκοπτικού σε εξειδικευμένο τεχνικό σέρβις.</li> </ul>  |

## GR ΕΓΓΥΗΣΗ

### ΠΟΛΙΤΙΚΗ ΕΓΓΥΗΣΗΣ EGO

Επισκεφθείτε την ιστοσελίδα [egopowerplus.com](http://egopowerplus.com) για όλους τους όρους και τις προϋποθέσεις της πολιτικής εγγύησης EGO.



## TÜM TALIMATLARI OKUYUN!



### KULLANIM KILAVUZUNU OKUYUN

**UYARI:** Artık risk! Kalp pili gibi elektronik cihaz kullanan kişiler bu ürünü kullanmadan önce hekimlerine danışmalıdır. Elektrikli cihazların, kalp pili yakınında çalıştırılması kalp pilinde parazite veya arızaya neden olabilir.



Güvenlik Uyarısı



Koruyucu Gözlük Takın - Bu ürünü çalıştırırken daima göz koruması, yan siperleri olan koruyucu gözlük ya da tam yüz maskesi kullanın.



Kulak Koruması Takın - Bu ürünü kullanırken daima kulak koruması kullanın.



Koruyucu Kask Takın - Başınızı korumak için onaylanmış bir kask takın.



Yuvarlak kesim bıçağı takmayın.



En-Misinalı çim biçme makinesinin maks. kesim genişliği



Misinalı çim biçme makinesi kullanılırken diğer insanların ve evcil hayvanların en az 15m uzakta olduklarından emin olun.



Garanti edilen ses gücü seviyesi. Avrupa Birliği Yönetmeliği'ne göre çevre gürültü emisyonu.



Atık elektrikli ürünler, evsel atıklar ile birlikte imha edilmemelidir. Yetkili bir geri dönüşüm merkezine teslim edilmelidir.

$n_0$

Yüksüz Hız-Yüksüz dönüş hızı



Doğru Akım

## GÜVENLİK SEMBOLLERİ



**UYARI:** Elektrikli aletlerin kullanımı yabancı nesnelerin gözlerinize fırlatılması sonucunu doğurabilir, bu da gözlerde ciddi hasara yol açabilir. Elektrikli aleti kullanmaya başlamadan önce, daima göz koruması veya yan siperleri olan koruyucu gözlük takın ve gerektiğinde tam yüz siperi kullanın. Gözlük üzerine kullanım için Wide Vision Koruyucu Maske ya da yan siperleri olan standart koruyucu gözlükleri tavsiye ederiz.



Yaralanma riskini azaltmak için, kullanıcı kullanma kılavuzunu mutlaka okumalıdır.



Koruyucu Ayakkabı Giyin - Bu cihazı kullanırken kaymaz emniyet ayakkabıları giyin.



Koruyucu Eldiven Takın - Bıçağa veya bıçak muhafazasına dokunurken eldiven giyerek ellerinizi koruyun.



Bıçağın kuvvetle itilmesine karşı dikkatli olun - Operatörü tirpan bıçağının oluşturacağı tehlikeye karşı uyarın.



Çap-Naylon kesim misinasının çapı



Fırlayan cisimler sekebilir ve kişisel yaralanma veya mal hasarına yol açabilir. Çalı kesici kullanılırken üçüncü şahısların ve evcil hayvanların cihazdan uzakta durduklarından emin olun.



Bu ürünü yağmur altında kullanmayın veya yağmur yağarken dışarıda bırakmayın.



Bu ürün, yürürlükteki AB yönetmeliklerine uygundur.

V Voltaj

.../min Dakika Başına

kg Kilogram

TR

## TEKNİK ÖZELLİKLER

|  |                             |  |  |
|--|-----------------------------|--|--|
|  | Kesme kafası                | 3-dişli bıçak                                    |  |
| Volтаж   | 56 V ---                    | 56 V ---   |  |
| Tavsiye Edilen Çalışma Sıcaklığı:                                | 0°C-40°C                    |  |  |
| Tavsiye Edilen Depolama Sıcaklığı:                               | -20°C-70°C                  |  |  |
| Optimum Şarj Sıcaklığı   | 5°C-40°C                    |  |  |
| Yüksüz hız   | 5000/6000 dak <sup>-1</sup> | 5000/6000 dak <sup>-1</sup>                      |  |
| Kesim misinası türü  | 2,4mm                       | /  |  |
| Kesme bıçağı   | /                           | ABB1203  |  |
| Kesim Genişliği  | 38 cm                       | 30cm   |  |
| Ağırlık (akü hariç)  | 4,21Kg                      | 4,45 kg  |  |
| Ölçülen ses güç düzeyi L <sub>WA</sub>                           | 94,6 dB(A)<br>K=1,8 dB(A)   | 96,5 dB(A)<br>K=1,88 dB(A)                       |  |
| Operatörün duyduğu ses güç düzeyi L <sub>PA</sub>                | 81,7 dB(A)<br>K=2,5 dB(A)   | 76,5 dB(A)<br>K=3 dB(A)                          |  |
| Garantili ses gücü seviyesi L <sub>WA</sub> (2000/14/EC'ye göre) | 96 dB(A)                    | 98 dB(A)   |  |
| Titreşim a <sub>h</sub>  | Ön Yardım Kolu              | 3,2 m/sn <sup>2</sup><br>K=1,5 m/sn <sup>2</sup> | 2,8 m/sn <sup>2</sup><br>K=1,6 m/sn <sup>2</sup> |
|  | Arka Kol                    | 2,3 m/sn <sup>2</sup><br>K=1,5 m/sn <sup>2</sup> | 3,1 m/sn <sup>2</sup><br>K=1,6 m/sn <sup>2</sup> |

■ Bildirilen toplam titreşim değeri standart test yöntemine uygun olarak ölçülmüştür ve bir cihazı diğer bir cihaz ile karşılaştırmak için kullanılabilir.

■ Bildirilen toplam titreşim değeri ayrıca ön maruz kalma değerlendirmesinde de kullanılabilir.

**DİKKAT:** Elektrikli aletin gerçek kullanımı sırasında meydana gelen titreşim emisyonu aletin kullanım şekline bağlı olarak bildirilen değerden farklı olabilir; Operatörü korumak için, kullanıcı gerçek kullanım koşullarında eldiven ve kulak koruması takmalıdır.

## AÇIKLAMA

### MİSİNALİ ÇİM BİÇME MAKİNESİNİZİ TANIYIN (Şek. A1)

1. Sınır Halkası
2. Tetik
3. Arka Kol

# 154

56 VOLT LITYUM-İYON KABLOSUZ MİSİNALİ ÇİM BİÇME MAKİNESİ — ST1530E

4. Hava Girişi
5. Kilit Açma Düğmesi
6. Yüksek/düşük Hız Anahtarları
7. Omuz-Kayıışı Asma Askısı
8. Ayarlanabilir Ön Yardım Kolu
9. Omuz Askısı
10. Çok İşlevli Anahtar
11. Alyen Anahtar
12. Çim Biçme Makinesi Başlığı (Çarpma Başı)
13. Kesim Misinası
14. Açma Tırnağı
15. Misina Kesme Bıçağı
16. Koruyucu
17. Çıkarma Mekanizması
18. Elektrik Kontaktları
19. Mandal
20. Kauçuk Ped Koruma
21. Akü Çıkarma Düğmesi
22. Güvenlik bariyeri çubuğu (Sadece fırçalı kesici kafası için)
23. Güvenlik bariyeri için kilitleme pimi (Sadece fırçalı kesici kafası için)
24. Dış flanş (Sadece fırçalı kesici kafası için)
25. Somun (Sadece fırçalı kesici kafası için)
26. Vidalar (Sadece fırçalı kesici kafası için)

## PAKET LİSTESİ

| PARÇA ADI                   | MİKTAR |
|-----------------------------|--------|
| Misinali Çim Biçme Makinesi | 1      |
| Koruyucu                    | 1      |
| Ön yardımcı kol montajı     | 1      |
| Alyen anahtar               | 1      |
| Çok işlevli anahtar         | 1      |
| Omuz askısı                 | 1      |
| Kullanma kılavuzu           | 1      |
| Kilitleme pimi              | 1      |
| Dış flanş                   | 1      |
| Somun                       | 1      |
| vida                        | 2      |

## MONTAJ

### KORUMANIN TAKILMASI

1. Korumadaki iki vidayı gevşetin ve çıkarın (Şek. B).
2. Koruyucu montaj delikleri ile montaj deliklerini hizalayın ve iki yaylı rondela ile birlikte iki vida yardımıyla koruyucuyu mil tabanına sabitleyin (Şek. C).

**DİKKAT:** Koruyucunun Şek. B ve C'ye uygun olarak monte edildiğinden emin olun, hatalı bir montaj büyük tehlikeye yol açar!

## ÖN YARDIM KOLUNUN TAKILMASI VE AYARLANMASI

1. Ön yardım kolundaki kilitleme pimini gevşetin ve kilitleme pimini ve kelebek somunu ön yardım kolundan çıkarın (Şek. D).

**DİKKAT:** Alet, fırçalı kesici kafası ile donatıldığında, güvenlik bariyer çubuğu aksamını iki vidayla halka koluna takın.

**DİKKAT:** İki tür kilitleme pimi vardır, daha kısa olanı çim biçme makinesi başlığı içindir. Uzun olanı fırçalı kesici kafası ile kullanım içindir. Aleti kullanırken doğru kilitleme pimini seçmeye dikkat edin.

|     |                |     |  |
|-----|----------------|-----|--|
| D-1 | Ön yardım kolu | D-4 | Güvenlik bariyeri çubuğu (Sadece fırçalı kesici kafası için) |
| D-2 | Mengene bloğu  | D-5 | Kilitleme pimi   |
| D-3 | Kelebek somunu |     |  |

2. Ön kolu, sınır halkasının önündeki şafta doğru itin. Asla sınır halkası ve arka tutma alanı arasına yerleştirmeyin (Şek. E).
3. Kol yuvasına sıkıştırma bloğunu sokun (Şek. F).
4. Kilitleme pimini monte edin ve kelebek somunu ile bunları önceden sıkın. Ön ayar kolunun yukarı doğru durduğundan ve arka tutma yerinin üstüne doğru baktığınızdan emin olun (Şek. G).
5. Çalışma esnasında ön kolunuzun düz olduğundan emin olmak için sınır halkası ve etiket arasındaki ön yardım kolunu ayarlayın (Şek. H).
6. Kilitleme piminin kolunu kilitleyin. (Şek. I).

**⚠ UYARI:** Ön yardım kolu güvenli bir şekilde monte edilmeden aleti kullanmayın.

## OMUZ ASKISININ MONTAJI

Askı kancasına basarak açın ve omuz askısının monte edildiği askıya takın (Şek. J).

## ÇALIŞMA

**⚠ UYARI:** Her zaman işitme korumasının yanı sıra emniyet gözlükleri veya yan korumalı emniyet gözlükleri

kullanın. Böyle yapılmaması sonucu gözlerinize fırlayan nesnelere ciddi kişisel yaralanmalara neden olabilir.

Bu ürünü aşağıda listelenen amaçlar için kullanabilirsiniz:

**Budama:** duvar, çit, ağaç ve kenarlıklarda bulunan çim ve otların temizlenmesi için kullanılır.

**Kesim:** normal çim biçme makinesi ile ulaşılması zor olan çimlerin kesilmesi için kullanılır.

**DİKKAT:** Makine sadece belirtilen kullanım amacına uygun kullanılmalıdır. Diğer kullanım şekilleri, örneğin kenar budama, hatalı kullanım olarak kabul edilir.

## AKÜNÜN TAKILMASI/ÇIKARILMASI

Sadece Şek. A2'da listelenen pil paketi ve şarj cihazlarını kullanın.

## İlk kullanımdan önce tamamen şarj edin

### Takmak İçin

Akünün çıkıntılarını ile montaj yuvalarını hizalayın ve "tık" sesi duyuncaya kadar aküyü aşağıya bastırın (Şek. K).

### Çıkarmak İçin

Şek. L'de gösterildiği gibi akü çıkarma düğmesine basın ve aküyü çekip çıkarın.

|     |                     |
|-----|---------------------|
| L-1 | Akü Çıkarma Düğmesi |
|-----|---------------------|

## MİSİNALI ÇİM BİÇME MAKİNESİNİN TUTULMASI

Güvenli ve daha iyi çalıştırma için, Şek. N'de gösterildiği gibi omuz askısını omzunuza takın. Omuz askısını rahat bir çalışma konumunda olacak şekilde ayarlayın. Misinalı çim biçme makinesini her iki elinizle tutun: Bir eliniz arka tutma sapında ve diğer eliniz ön destek kolunda olmalıdır.

**DİKKAT:** Kesim başlığı operatör eğilmeden uygun kesim mesafesinde yere paralel olacak şekilde tutulmalıdır (Şek. N).

Askıyı çıkarmak için iki yöntem vardır. Doğrudan omzunuzdan çıkarın (Şek. O) veya kayışın kancasına bastırarak mil üzerine takılı omuz kayışı asma askısından ayırın (Şek. P).

**⚠ UYARI:** Omuz askısı ayrıca tehlikeli durumlarda hızla çıkarılabilen bir mekanizmadır. Acil bir durumda, askıyı hangi şekilde takılı olursa olsun derhal omzunuzdan çıkarın.

TR

## MİSİNALİ ÇİM BİÇME MAKİNESİNİ ÇALIŞTIRMA/ DURDURMA (Şek. M)

### Çalıştırmak için

Kilitleme kolunu bastırın, ardından tetik düğmesine basın. Tetiğe farklı baskı düzeylerinde basılması kesim misinasının farklı dönüş hızlarında dönmesini sağlar. Ne kadar güçlü basılırsa hız o kadar artar.

### Durdurmak için

Tetiği bırakın.

**DİKKAT:** Motor sadece kilitleme düğmesi ve tetiğin her ikisi de basıldığında çalışır.

### Hız Ayar Fonksiyonu (Şek. M)

Misinali çim biçme makinesinde iki hız ayarı vardır. "1" pozisyonu düşük hız için, "2" pozisyonu ise yüksek hız içindir.

|     |                           |
|-----|---------------------------|
| M-1 | Yüksek/düşük Hız Anahtarı |
| M-2 | Kilit Açma Düğmesi        |
| M-3 | Tetik                     |

### MİSİNALİ ÇİM BİÇME MAKİNESİNİN KULLANIMI

Her kullanımdan önce kesilecek alanı temizleyin. Kesim parçalarına takılabilecek veya fırlatılabilecek taş, kırık cam, çivi, tel veya sicim vb. tüm nesnelere temizleyin. Çocukları, üçüncü şahısları ve evcil hayvanları çalışma alanından uzak tutun. Çocukları, üçüncü şahısları ve evcil hayvanları çalışma alanından en az 15 metre uzak tutun; buna rağmen üçüncü şahısların fırlayan nesnelere yaralanma riski olabilir. Üçüncü şahısların göz koruması kullanmaları önerilir. Çalışırken yanınıza yaklaşan kimselerin olması durumunda derhal motoru ve kesici parçaları durdurun.

### Her kullanımdan önce hasarlı/aşınmış parça olup olmadığını kontrol edin

Çarpma başlığını, koruyucuyu ve ön yardım kolunu kontrol edin ve çatlak, kıvrılmış, eğik veya hasarlı kesim parçalarını değiştirin.

Koruyucunun kenarındaki misina kesim bıçağı zamanla körelebilir. Düzenli olarak bir eğe ile bilemeniz veya yenisiyle değiştirmeniz önerilir.

### Her kullanımın ardından, çim biçme makinesini temizleyin.

### KESİM MİSİNASI UZUNLUĞUNUN AYARLANMASI

Çim biçme makinesi başlığı operatörün motoru durdurmaya gerek kalmadan kesim ipini salmasına olanak sağlar. Misina aşınır veya yıpranırsa, çim biçme makinesi çalışır durumdayken çim biçme başlığını hafifçe yere vurarak biraz daha misina salmak mümkündür (Şek. Q).

**DİKKAT:** Kesim misinası kısaldıkça misinanın salınması zorlaşır.

**UYARI:** Misina kesim bıçak donanımını çıkarmayın veya değiştirmeyin. Aşırı uzun kesim ipi motorun aşırı ısınmasına neden olabilir ve ciddi kişisel yaralanmaya yol açabilir.

### MİSİNANIN DEĞİŞTİRİLMESİ

**DİKKAT:** Daima 2,4 mm'yi aşmayan bir çapa sahip naylon kesim misinası kullanılması önerilir. Belirtilenen dışında kesim misinası kullanımı kesim makinesinin aşırı ısınmasına veya hasar görmesine neden olabilir.

**UYARI:** Asla metal takviyeli misina, tel, ip, vb. malzeme kullanmayın. Bunlar koparak tehlikeli biçimde fırlatılabilir.

1. Aküyü çıkarın.
2. Gerekirse, kalan kesim ipini çıkarın.
3. 4m'lik misinayı kesin ve misinayı halka içindeki montaj deliğine yerleştirin (Şek. R). Makaranın her iki tarafında eşit miktarda misina oluncaya kadar misinayı itin ve diğer taraftan çekin.
4. Alt kapak aksamını bastrarak ok yönünde çevirin ve her iki tarafta yaklaşık 14cm misina görününceye kadar misinayı makara üzerine sarın (Şek. S).
5. Alt kapak aksamını aşağıya bastrarak misinaları çekin ve kesim başlığının düzgün monte edildiğini kontrol etmek için manuel olarak iletin.

Kesim misinası çıkış noktasından kırıldığında veya çim biçme başlığına dokunulduğunda kesim misinası salınmazsa, aşağıdaki adımları izleyin:

1. Üst kapak üzerindeki açma tırmaklarına bastırın ve alt kapak aksamını çekerek çıkarın (Şek. T ve U).
2. Makaradan misinayı çıkarın.
3. Alt kapak aksamını bir elinizle tutarak diğer elinizle alt kapak aksamındaki deliklerle hizalayın (Şek. V); avucunuzu sekmeler üst kapağa kilitlenene kadar alt kapak aksamına bastırmak için kullanın.
4. "MİSİNANIN DEĞİŞTİRİLMESİ" bölümündeki talimatları izleyerek tekrar misinayı takın.

### 3 DİŞLİ BİÇAĞIN DEĞİŞTİRİLMESİ

1. Alt kapak aksamını Şek. T ve U'daki gibi çıkarın.
2. Dengeleyiciyi takın ve ardından somunu Şekil X1 ve X2'deki gibi gevşetmek için bir somun anahtarı kullanın.
3. İç flanş ve somun dışındaki tüm parçaları çıkarın (Şek. X3), bıçağı motor miline Şek. X4'te gösterildiği gibi monte edin.

4. Bıçağı Şek. X5'teki gibi sıkın.

## BAKIM

**⚠ UYARI:** Bakım yaparken sadece aynı olan yedek parçaları kullanın. Makineyi düzenli olarak kontrol edin ve bakımını yapın. Emniyet ve güvenilirliği sağlamak için tüm tamir işleri uzman bir servis teknisyeni tarafından yapılmalıdır.

**⚠ UYARI:** Ciddi kişisel yaralanmaları önlemek için, eklenti parçalara bakım veya onarım, temizlik, değişim yapmadan veya makineden malzeme çıkarmadan önce pil takımını çıkarın.

**⚠ DİKKAT:** Hava deliklerindeki tıkanıklıklar motor gövdesindeki hava akımını engelleyerek aşırı ısınmaya ve motor hasarına neden olabilir.

## CİHAZIN TEMİZLENMESİ

- Cihazı nemli bir bez ve yumuşak deterjanla temizleyin. Asla cihaza su girmesine izin vermeyin; aletin herhangi bir parçasını sıvıya daldırmayın.
- Plastik gövde veya tutma sapı üzerinde güçlü deterjanlar kullanmayın. Çam ve limon gibi belirli aromatik yağlar ve kerosen gibi çözücü maddeler bu yüzeylere zarar verebilir. Nem nedeniyle elektrik çarpması tehlikesi oluşabilir. Yumuşak kuru bir bezle nemli yerleri silin.
- Arka gövdedeki hava deliklerini temizlemek için küçük bir fırça veya elektrikli süpürgeci hava çıkışını kullanın.
- Motor gövdesindeki hava deliklerinin her zaman temiz kalmasını sağlayın.

## TRANSMİSYON DİŞLİLERİNİN YAĞLANMASI

Dişli kutusundaki transmisyon dişlileri periyodik olarak dişli gres yağı ile yağlanmalıdır. Dişli kutusunun gres seviyesini her 50 saatlik çalışmada bir kutunun yanındaki sızdırmazlık vidasını sökerek kontrol edin.

Dişli kenarlarında hiçbir gres görülemezse, aşağıdaki adımları izleyerek dişliye 3/4 kapasiteye kadar gres basın. Transmisyon dişlilerini tamamen doldurmayın.

1. Çim biçme makinesini, sızdırmazlık vidası yukarı bakacak şekilde yana yatırın (Şek. W).
2. Verilen çok işlevli anahtar kullanarak sızdırmazlık vidasını gevşetin ve sökün.
3. Vida deliğine az miktarda gres enjekte etmek için bir gres şırıngası (ürüne dahil değildir) kullanın; 3/4'lük kapasiteyi aşmayın.
4. Enjeksiyondan sonra sızdırmazlık vidasını sıkın.

## CİHAZIN SAKLANMASI

- Kullanılmadığı zamanlarda, aküyü misinalı çim biçme makinesinden çıkarın.
- Cihazı saklamadan önce tamamen temizleyin.
- Cihazı çocukların ulaşamayacağı kuru, iyi havalandırılmış, kilitli veya yüksek bir yerde muhafaza edin. Gübre, benzin veya diğer kimyasal maddelerin yanında saklamayın.

## Çevre koruması



Elektrikli cihazları, kullanılmış aküyü ve akü şarj cihazını evsel atıklarla birlikte atmayın! Bu ürünü yetkili bir geri dönüşümcüye götürün ve ayrı bir şekilde toplanmasını sağlayın. Elektrikli aletler çevreyle uyumlu bir geri dönüşüm tesisine götürülmelidir.

## SORUN GİDERME

| SORUN   | SEBEP   | ÇÖZÜM  |
|---|---|--|
| Misinalı çim biçme makinesi başlatılmıyor.          | <ul style="list-style-type: none"><li>■ Akü, çim biçme makinesine takılı değil.</li><li>■ Çim biçme makinesi ile akü arasında elektrik teması yok.</li><li>■ Akü boşalmış.</li><li>■ Kilitleme düğmesi ve tetiğe aynı anda basılmıyor.</li></ul>  | <ul style="list-style-type: none"><li>■ Aküyü çim biçme makinesine takın.</li><li>■ Aküyü çıkarın, temas noktalarını kontrol edin ve aküyü yeniden takın.</li><li>■ Aküyü şarj edin.</li><li>■ Kilitleme düğmesini basılı tutun, ardından tetik düğmesine basarak misinalı çim biçme makinesini çalıştırın.</li></ul>  |
| Misinalı çim biçme makinesi kesim yaparken duruyor. | <ul style="list-style-type: none"><li>■ Çim biçme makinesine koruyucu takılmamış, sonuç olarak aşırı uzun kesim misinası ve motorun aşırı ısınması söz konusu.</li><li>■ Ağır kesim misinası kullanılıyor.</li><li>■ Motor mili veya çim biçme başlığı çimler nedeniyle tutukluk yapıyor.</li><li>■ Motora aşırı yüklenilmiş.</li><li>■ Akü veya misinalı çim biçme makinesi çok sıcak.</li><li>■ Akü ile aletin bağlantısı kesilmiş.</li><li>■ Akü boşalmış.</li></ul> | <ul style="list-style-type: none"><li>■ Aküyü çıkarın ve koruyucuyu çim biçme makinesine monte edin.</li><li>■ Çapı en fazla 2,4 mm olan naylon kesim misinası kullanmanız önerilir.</li><li>■ Çim biçme makinesini durdurun, aküyü çıkarın ve motor mili ve çim biçme başlığındaki çimleri temizleyin.</li><li>■ Çim biçme başlığını çimlerden kaldırın. İş yükü kalkmaz motor eskisi gibi çalışacaktır. Kesim yaparken, çim biçme başlığını kesilecek çimlerde içeri dışarı hareket ettirin ve tek bir kesimde en fazla 20 cm uzunlukta kesim yapın.</li><li>■ Pil paketi veya çim biçme makinesinin 67°C'nin altına düşene kadar soğumasını bekleyin.</li><li>■ Aküyü yeniden takın.</li><li>■ Aküyü şarj edin.</li></ul> |

| SORUN  | SEBEP  | ÇÖZÜM   |
|--|--|---|
| Çim biçme başlığı misinayı ilerletmiyor.   | <ul style="list-style-type: none"><li>■ Motor mili veya çim biçme başlığı çimler nedeniyle tutukluk yapıyor.</li><li>■ Makarada yeterli misina yok.</li><li>■ Çim biçme başlığı kirlî.</li><li>■ Misina makara tutucuya dolanmış.</li><li>■ Misina çok kısa.</li></ul> | <ul style="list-style-type: none"><li>■ Çim biçme makinesini durdurun, aküyü çıkarın ve motor mili ve çim biçme başlığını temizleyin.</li><li>■ Aküyü çıkarın ve bu kılavuzdaki "MİSİNANIN DEĞİŞTİRİLMESİ" bölümünü izleyerek kesim misinasını değiştirin.</li><li>■ Aküyü çim biçme makinesinin başlığından çıkarın.</li><li>■ Aküyü çıkarın ve bu kılavuzdaki "MİSİNANIN TAKILMASI" bölümünü izleyerek misinayı çim biçme makinesinin kafasından çıkarın ve yeniden sarın.</li><li>■ Aküyü elle çıkarın ve ardı ardına makine kafasına basarak ve serbest bırakarak misinaları çekin.</li></ul> |
| Çimler, çim biçme başlığının etrafına ve motor gövdesine dolanıyor.                | <ul style="list-style-type: none"><li>■ Uzun çimler zemin seviyesinde kesiliyor.</li></ul>   | <ul style="list-style-type: none"><li>■ Uzun çimleri üstten alta doğru kesin, dolanmayı önlemek için her geçişte en fazla 20 cm kesin.</li></ul>  |
| Çim biçme başlığında çatlaklar mevcut veya alt kapak aksamı üst kapaktan gevşemiş. | <ul style="list-style-type: none"><li>■ Çim biçme başlığı aşınmış.</li></ul>   | <ul style="list-style-type: none"><li>■ Çim biçme başlığının derhal bir yetkili servis teknisyeni tarafından değiştirilmesini sağlayın.</li></ul>   |

## GARANTİ

### EGO GARANTİ POLİTİKASI

EGO Garanti politikasına ilişkin tüm hüküm ve koşullar için, lütfen [egopowerplus.com](http://egopowerplus.com) adresindeki web sitemizi ziyaret edin.

TR

## LUGEGE KÕIKI JUHISEID!



### LUGEGE KASUTUSJUHENIDIT

**⚠ HOIATUS!** Kaasnev risk! Inimesed, kes kasutavad elektroonilisi seadmeid, nt südamestimulaatorit, peaksid enne selle toote kasutamist konsulteerima oma arstiga. Elektriseadmete kasutamine südamestimulaatori läheduses võib põhjustada südamestimulaatori häireid või rikkeid.



Ohutusteade



Kandke kaitseprille - Kandke selle toote kasutamise ajal alati kaitseprille või külgkaitsetega kaitseprille ja täielikku näokaitset.



Kasutage kõrvade kaitsevahendeid - Seadmega töötades kasutage alati kuulmiskaitset.



Kandke tugevat peakatet - Pea kaitsmiseks kandke nõuetekohast tugevast materjalist peakatet.



Ärge paigaldage ümaraid löiketerasid.



Laius - Jõhvtrimmeri maksimaalne löikeulatus



Jõhvtrimmeriga töötamise ajal ei tohi vähemalt 15 m raadiuses olla loomi ega teisi inimesi.



Garanteeritud helivõimsuse tase. Seadme müra keskkonnas on Euroopa Ühenduse direktiiviga vastavuses.



Elektriseadmete jäätmeid ei tohi visata olmejäätmete hulka. Viige volitatud taaskäitleja juurde.

$n_0$

Tühikäigu kiirus-Tühikäigu pöörlemiskiirus



Alalisvool

## OHUTUSSÜMBOLID

**⚠ HOIATUS!** Mis tahes elektriliste tööriistade kasutamine võib põhjustada võõrkehade paiskumist silma, mis võib põhjustada raskeid silmakahjustusi. Kandke elektriliste tööriistade kasutamise ajal alati kaitseprille või külgkaitsetega kaitseprille ja vajadusel täielikku näokaitset. Soovitame kanda prillide peal laia vaatealaga kaitsemaski või tavalisi külgkaitsetega kaitseprille.



Vigastuste ohu vähendamiseks peab kasutaja enne toote kasutamist kasutusjuhendit lugema.



Kandke ohutusjalatseid. - Tööriista kasutamisel kandke mittelibisevaid turvajalanõusid.



Kindad - Tera või tera kaitse käsitsemisel kandke käte kaitsmiseks kindaid.



Ettevaatust tera tagasilöögiga - Hoiatage seadme operaatorit tera tagasilöögi ohu eest.



Läbimõõt - Nailonist löikejõhvi läbimõõt



Võõrkehad võivad rikošetiga eemale paiskuda ja selle tagajärjeks võivad olla isikuvigastused või vara kahjustumine. Võsalõikuriga töötamise ajal ei tohi läheduses olla loomi ega teisi inimesi.



Mitte kasutada vihma käes või jätta välitingimustesse vihmajuu ajal.



Toode vastab rakendatavatele EÜ direktiividele.

V Pinge

.../min Minutis

kg Kilogramm

ET



## SPETSIFIKATSIOONID

|   |                              |  |
|---|------------------------------|--|
|   | Trimmeripea                  | 3-teraline lõiketera                           |
| Pinge   | 56 V $\overline{\text{---}}$ | 56 V $\overline{\text{---}}$                   |
| Soovituslik töökeskkonna temperatuur:   | 0°C-40°C                     |  |
| Soovituslik hoiustamise temperatuur:  | -20°C-70°C                   |  |
| Optimaalne laadimis-temperatuur   | 5°C-40°C                     |  |
| Tühikäigu kiirus  | 5000/6000 min <sup>-1</sup>  | 5000/6000 min <sup>-1</sup>                    |
| Lõikejõhvi tüüp   | 2,4mm                        | /  |
| Lõiketera   | /                            | ABB1203  |
| Lõikelaius  | 38 cm                        | 30cm   |
| Kaal (ilma akuplokita)  | 4,21Kg                       | 4,45 kg  |
| Mõõdetud helivõimsuse tase L <sub>WA</sub>  | 94,6 dB(A)<br>K=1,8 dB(A)    | 96,5 dB(A)<br>K=1,88 dB(A)                     |
| Helirõhk seadme operaatori kõrva juures L <sub>PA</sub>                             | 81,7 dB(A)<br>K=2,5 dB(A)    | 76,5 dB(A)<br>K=3 dB(A)                        |
| Garanteeritud helivõimsuse tase L <sub>WA</sub> (vastavalt direktiivile 2000/14/EÜ) | 96 dB(A) 98 dB(A)            |  |
| Vibratsioon a <sub>h</sub>  | Eesmine abikäepide           | 3,2 m/s <sup>2</sup><br>K=1,5 m/s <sup>2</sup> |
|   | Tagumine käepide             | 2,3 m/s <sup>2</sup><br>K=1,5 m/s <sup>2</sup> |
|   |                              | 2,8 m/s <sup>2</sup><br>K=1,6 m/s <sup>2</sup> |
|   |                              | 3,1 m/s <sup>2</sup><br>K=1,6 m/s <sup>2</sup> |

- Esitatud vibratsioonitaseme näit on mõõdetud standardsete testmeetodite kohaselt ja seda võidakse kasutada erinevate tööriistade võrdlemiseks.
- Esitatud vibratsioonitaseme näitu võib kasutada ka alge kokkupuutehinnangu andmiseks.

**MÄRKUS!** Tegeelikul kasutamisel tekkiv vibratsioonitase võib esitatust erineda; turvalisuse eesmärgil peaks seadme kasutaja tegeelikes kasutustingimustes kandma kindaid ja kuulmiskaitseid.

## KIRJELDUS

### TUNNE OMA JÕHVTRIMMERIT (joon. A1)

1. Läve rõngas
2. Päästik

3. Tagumine käepide
4. Õhu sissevõtuava
5. Lukustusnupp
6. Suure/madala kiiruse nupp
7. Õlarihma kinnitusaas
8. Reguleeritav eesmine abikäepide
9. Õlarihm
10. Mitmeotstarbeline mutrivõti
11. Kuuskantvõti
12. Trimmeripea (muhuga pea)
13. Lõikejõhv
14. Vabastussakk
15. Jõhvi lõiketera
16. Kaitsepiire
17. Väljutusmehhanism
18. Elektrikontaktid
19. Riiv
20. Kummipadjast kaitse
21. Akuvabastusnupp
22. Kaitsetõkke moodul (ainult võsalõikuri pea jaoks)
23. Kaitsetõkke mooduli lukustusdetail (ainult võsalõikuri pea jaoks)
24. Välimine äärrik (ainult võsalõikuri pea jaoks)
25. Mutter (ainult võsalõikuri pea jaoks)
26. Kruvid (ainult võsalõikuri pea jaoks)

## PAKENDI LOEND

| OSA NIMI                    | KOGUS |
|-----------------------------|-------|
| Jõhvtrimmer                 | 1     |
| Kaitsepiire                 | 1     |
| Eesmise abikäepideme moodul | 1     |
| Kuuskantvõti                | 1     |
| Mitmeotstarbeline mutrivõti | 1     |
| Õlarihm                     | 1     |
| Kasutusjuhend               | 1     |
| Lukustusdetail              | 1     |
| Välimine äärrik             | 1     |
| Mutter                      | 1     |
| kruvi                       | 2     |

ET

## KOKKUPANEK

### KAITSEPIIRDE PAIGALDAMINE

1. Keerake lahti ja eemaldage kaks kaitsepiirde küljes olevat kruvi (joon. B)
2. Joondage kaitsepiirde paigaldusaugud aluse aukudega ja kinnitage kaitsepiire nende kahe kruvi ning kahe vedruseibi abil aluse külge (joon. C).

**MÄRKUS!** Veenduge, et kaitsedetail on kinnitatud vastavalt joonistel B ja C antud juhiste. Juhiste mittejärgimine tekitab väga ohtliku olukorra!

### EEMISE ABIKÄEPIDEME PAIGALDAMINE JA REGULEERIMINE

1. Keerake eemise abikäepideme lukustusdetaili lahti ning eemaldage see lukustusdetaili ja tiibmutter eemise abikäepideme küljest (joon. D).

**MÄRKUS!** Kui tööriist on varustatud võsalõikuri peaga, siis paigaldage kaitsetõkke moodul kahe kruviga aaskäepideme külge.

**MÄRKUS!** Komplektis on kaht tüüpi lukustusdetailid. Lühem on mõeldud trimmeripea jaoks. Pikem on mõeldud võsalõikuri pea jaoks. Tööriista kasutamisel jälgige, et valite õige lukustusdetaili.

|     |                      |     |   |
|-----|----------------------|-----|---|
| D-1 | Eesmine abikäepideme | D-4 | Kaitsetõkke moodul (ainult võsalõikuri pea jaoks) |
| D-2 | Kinnitusplokk        | D-5 | Lukustusdetail                                    |
| D-3 | Tiibmutter           |     |   |

2. Lükake eesmine käepideme varrele läve rõngast ettepoole. Ärge kunagi paigaldage seda läve rõnga ja tagumise käepideme vahelisele alale (joon. E).
3. Sisestage kinnitusplokk käepideme pesasse (joon. F).
4. Kinnitage lukustusdetail ja eelpingutage need tiibmuttriga. Veenduge, et eesmine abikäepideme on suunatud ülespoole ja tagumise käepideme ülaosa suunas (joon. G).
5. Reguleerige eesmist abikäepidemat läve rõnga ja sildi vahel ning veenduge, et saate kätt kasutamise ajal sirgelt hoida (joon. H).
6. Lukustage lukustusdetaili hoob. (joon. I).

**⚠ HOIATUS!** Seda tööriista ei tohi kasutada, kui eesmine abikäepideme pole kindlalt kinnitatud.

### ÕLARIHMA PAIGALDAMINE

Vajutage rihma haagile, et see avada, ja ühendage see õlarihma kinnitusaasaga (joon. J).

## SEADME KASUTAMINE

**⚠ HOIATUS!** Kandke alati kaitseprille või küljekaitseme-tega kaitseprille ning kuulmiskaitsevahendeid. Vastasel korral võib teile midagi silma paiskuda ja võite saada ka muud laadi raskeid vigastusi.

Seda toodet võite kasutada allpool loetletud eesmärkidel:

**Trimmerdamine:** seinte, aedade, puude ja piirete ääres kasvava rohu eemaldamiseks.

**Lõikamine:** sellise muru lõikamiseks, millele on tavalise niiduki abil keeruline ligi pääseda.

**MÄRKUS!** Seadet tohib kasutada vaid käesolevas juhendis lubatud eesmärgil. Igasugust muud kasutust (nt servade lõikamist) loetakse väärkasutuseks.

### AKUPLOKI PAIGALDAMINE/EEMALDAMINE

Kasutage ainult joonisel A2 esitatud akuplokke ja laadijaid.

### Laadige enne esimest kasutamist täielikult.

#### Paigaldamiseks

Joondage aku sooned paigaldusavade ja suruge akuplokki alla, kuni kuulete klõpsatust (joon. K).

#### Eemaldamiseks

Vajutage aku vabastamise nuppu ja tõmmake akuplokk välja, nagu on näidatud joonisel L.

|     |                 |
|-----|-----------------|
| L-1 | Akuvabastusnupp |
|-----|-----------------|

### JÕHVTRIMMERI HOIDMINE

Turvalisema ja parema kasutamise jaoks pange õlarihm üle õla, nagu on näidatud joonisel N. Reguleerige õlarihm enda jaoks mugavaks. Hoidke jõhvtrimmerit kahe käega. Ühe käega hoidke tagumist käepidet ja teisega eesmist abikäepidet.

**MÄRKUS!** Trimmeri pea on korrekse löikekauguse korral maaga paralleelne, ilma et seadme kasutaja kummardama peaks (joon. N).

Rihma vabastamiseks on kaks võimalust. Võtke see õlalt ära (joon. O) või vajutage rihma konsule ja eemaldage see varre külge fikseeritud õlarihma kinnitusaasa küljest (joon. P).

**⚠ HOIATUS!** Õlarihm on ohusituatsioonides ka kiirvabastusmehhanismiks. Õnnetuse korral võtke see koheselt ära, ükskõik millises asendis rihm on.

### JÕHVTRIMMERI KÄIVITAMINE/PEATAMINE (joon. M)

#### Käivitamiseks

Vajutage lukustusnuppu ning suruge päästik alla Lõikejõhvi pöörlemiskiirus sõltub sellest, kui tugevalt te päästikut vajutate. Tugevam surve tekitab suurema kiiruse.

### Peatamine

Vabastage päästik.

**MÄRKUS!** Mootor töötab vaid siis, kui nii lukustusnupp kui ka päästik on alla vajutatud.

### Kiiruse reguleerimine (joon. M)

Jõhvtrimmeril on kaks kiirust. Asend „1“ tähistab madalat kiirust ja asend „2“ suuremat kiirust.

|     |                           |
|-----|---------------------------|
| M-1 | Suure/madala kiiruse nupp |
| M-2 | Lukustusnupp              |
| M-3 | Päästik                   |

### JÕHVTRIMMERI KASUTAMINE

Enne töö alustamist puhastage tööpiirkond võrkehaded. Eemaldage tööpinna kõik kivid, klaasikillud, naelad, juhtmed ja nõõrid, mis võivad seadme töö tõttu paiskuda või selle külge või sisse kinni jääda. Jälgige, et tööpiirkonnas poleks lapsi, kõrvalisi isikuid ega loomi. Lapsed, kõrvalised isikud ja loomad peavad olema vähemalt 15 meetri kaugusel; ka selle tingimuse täidetuse korral säilib mõningane paiskuvatest esemetest tingitud oht kõrvalistele isikutele. Soovitage kõrvalistel isikutel kasutada kaitseprille. Kui keegi teile läheneb, seisake mootor ja lõikeseade koheselt.

### Enne iga kasutuskorda kontrollige seadme kahjustumist / kulumist.

Kontrollige muhuga pead, kaitsepiiret ja eesmist abikäepidet ning vahetage välja mõranenud, väändunud, paindunud või muul moel kahjustatud komponendid.

Jõhvi lõiketera kaitsepiirde serval võib aja jooksul kuluda. Soovitatav on seda aeg-ajalt viiliga teritada või nürinemise korral uue vastu vahetada.

### Puhastage trimmerit pärast iga kasutuskorda.

#### LÕIKEJÕHVI PIKKUSE REGULEERIMINE

Trimmeripea abil saab kasutaja pikendada jõhvi seadet seiskamata. Kui jõhv läheb katki või kulub, puudutage jõhvi pikendamiseks lõikepeaga kergelt maad ilma trimmerit seiskamata (joon. Q).

**MÄRKUS!** Lõikejõhvi vabastamine muutub jõhvi lühenedes järjest raskemaks.

**⚠ HOIATUS!** Ärge eemaldage ega kohandage jõhvi lõiketera moodulit. Liiga pikk jõhv põhjustab mootori ülekuumenemist, mis omakorda suurendab raskete vigastuste ohtu.

### JÕHVI VAHETAMINE

**MÄRKUS!** Kasutage alati soovitatud nailonist lõikejõhvi, mille diameeter pole suurem kui 2,4 mm. Määratud jõhvist erineva jõhvi kasutamine võib kaasa tuua trimmeri ülekuumenemise või kahjustumise.

**⚠ HOIATUS!** Ärge kunagi kasutage metalliga tugevdatud jõhvi, traati või köit vms. Need võivad murduda ning õhku paiskudes ohtlikuks muutuda.

1. Eemaldage akuplokk.
2. Vajadusel eemaldage ülejäänud jõhv.
3. Lõigake 4m pikkune lõikejõhv, sisestage jõhv augukeses olevasse kinnitusavasse (joon. R). Lükake ja tõmmake jõhvi teiselt poolt kuni mõlemal pool pooli on sama palju jõhvi.
4. Suruge pooli, samas alumise katte moodulit noole suunas keerates, et täita pool jõhviga, kuni mõlemalt poolt on näha umbes 14 cm jõhvi (joon. S).
5. Vajutage alumise katte moodulit alla, samal ajal jõhve tõmmates, et jõhvi käsitsi edasi liigutada ja kontrollida, kas trimmeri pea on korralikult kokku pandud.

Kui jõhv läheb katki avadest, kust jõhv välja tuleb, või kui jõhv ei tule trimmeri pea vastu koputades välja, siis tehke järgmist.

1. Vajutage ülemise katte vabastussakkidele ja eemaldage alumise katte moodul, tõmmates selle otse välja (joon. T ja U).
2. Eemaldage lõikejõhv poolilt.
3. Hoides ühte kätt alumise katte moodulil, võtke teise käega alumise katte moodulit kinni ja joondage ülemise katte sakid avadega alumise katte moodulil (joon. V); vajutage peopesaga alumise katte moodulit, kuni sakid lukustuvad ülemise katte külge.
4. Uue jõhvi lisamiseks järgi juhiseid osas „JÕHVI VAHETAMINE“.

### 3-TERALISE LÕIKETERA VAHETAMINE

1. Eemaldage alumise katte moodul, nagu on näidatud joon. T ja U.
2. Sisestage stabilisaator ja seejärel kasutage löökmutrivõtit, et vabastada mutter, nagu on näidatud joon. X1 ja X2.
3. Eemaldage kõik osad, välja arvatud sisemine äärik ja mutter (joon. X3) ning paigaldage tera mootorivõllile, nagu joon. X4.
4. Keerake tera tugevamalt kinni, vt. joon. X5.

ET

## HOOLDUS

**⚠ HOIATUS!** Remontimisel kasutage vaid originaalvaruosi. Kontrollige ja hooldage seadet regulaarselt. Turvalisuse ja usaldusväarsuse tagamiseks peab kõiki parandustöid läbi viima kvalifitseeritud hooldustehnik.

**⚠ HOIATUS!** Raskete vigastuste vältimiseks eemaldage alati aku enne, kui asute seadet hooldama, puhastama, lisatarvikuid kinnitama või kinni jäänud objekte eemaldama.

**⚠ ETTEVAATUST!** Õhutusava ees olevad objektid takistavad õhu pääsemist mootori korpusesse ning selle tulemusena võib mootor üle kuumeneda või kahjustusi saada.

### SEADME PUHASTAMINE

- Seadme puhastamiseks kasutage leebetoimelise puhastusvahendiga immutatud niisket lappi. Ärge kunagi laske vedelikul tööriista sisse sattuda ja ärge kunagi pange tööriista vedeliku sisse.
- Ärge kasutage plastmasskomponentide või käepideme puhastamiseks tugevatoimelisi puhastusaineid. Seadme osi võivad kahjustada teatud aromaatsed õlid (nt männi- või sidruniõli) ja teatud ained (nt petrooleum). Niiskus võib tekitada elektrilöögi ohu. Eemaldage niiskus pehme kuiva lapiga..
- Tagumise korpuse õhutusavade puhastamiseks kasutage väikest harja või tolmuimeja väikese harja õhuväljutusava.
- Jälgige alati, et mootori korpuse õhutusavad oleksid puhtad.

### ÜLEKANDESÜSTEEMI MÄÄRIMINE

Ülekandesüsteemi korpuses olevaid ülekandesüsteemi osi peab regulaarselt määrima. Kontrollige ülekandesüsteemi määrdetaset iga 50 töötunni järel, eemaldades tihenduskrugi ja korpuse külje.

Kui ülekandesüsteemi osadel ei ole nähtavat mäaret, siis järgige allpool esitatud juhiseid ning lisage ülekandesüsteemile määrdeainet 3/4 ulatuses. Ärge ülekandesüsteemi täies ulatuses määrige.

1. Pange jõhvtrimmer küljele nii, et tihenduskrugi jääks ülespoole (joon. W).
2. Tihenduskrugi vabastamiseks ja eemaldamiseks kasutage seadmega kaasas olevat multifunktsionaalset nutrivõtit.
3. Kasutage süstalt (ei ole kaasas), et natuke mäaret

kruvi auku pritsida, ja jälgige, et te ei ületa 3/4 mahust.

4. Pärast määrimist keerake tihenduskrugi kinni.

### SEADME HOIUSTAMINE

- Kui te jõhvtrimmerit ei kasuta, eemaldage selle akuplokk.
- Enne tööriista hoiustamist puhastage see hoolikalt.
- Hoidke tööriista kuivas, hästi ventileeritavas, lukustatud kohas ja kõrgel, lastele ligipääsmatus kohas. Ärge hoidke seadet väetiste, bensiini või muude kemikaalide läheduses.

### Keskkonnakaitse



Ärge visake elektriseadmeid, akulaadurit ega patareisid/akusid olmeprügi hulka! Viige toode volitatud taaskäitleja juurde ja võimaldage selle komponendid sorteerituna kõrvaldada. Elektritööriista viige keskkonnakaitseasutuste järgivasse jäätmekäitluskeskusesse.

## TÖRKEOTSING

| PROBLEEM                           | PÕHJUS   | LAHENDUS  |
|------------------------------------|--|---|
| Jõhvtrimmer ei käivitu.            | <ul style="list-style-type: none"> <li>■ Akuplokk pole trimmeriga ühendatud.</li> <li>■ Trimmeri ja aku vahel puudub elektriline ühendus.</li> <li>■ Akuplokk on tühi.</li> <li>■ Lukustusnupp ja päästikut ei vajutatud samaaegselt.</li> </ul>   | <ul style="list-style-type: none"> <li>■ Kinnitage akuplokk trimmeri külge.</li> <li>■ Eemaldage aku, kontrollige ühendusi ja pange akuplokk tagasi.</li> <li>■ Laadige akuplokki.</li> <li>■ Jõhvtrimmeri sisse lülitamiseks vajutage lukustusnupu ja hoidke seda all ning suruge päästik alla.</li> </ul>   |
| Jõhvtrimmer seiskub niitmise ajal. | <ul style="list-style-type: none"> <li>■ Kaitsepiire pole trimmeri külge kinnitatud, mistõttu on jõhv liiga pikaks läinud ja mootor ülekoormatud.</li> <li>■ Kasutatakse rasket jõhvi.</li> <li>■ Rohi on ummistanud mootori võlli või trimmeri pea.</li> <li>■ Mootor on ülekoormatud.</li> <li>■ Akuplokk või jõhvtrimmer on liiga kuum.</li> <li>■ Akuplokk on tööriista küljest lahti ühendatud.</li> <li>■ Akuplokk on tühi.</li> </ul> | <ul style="list-style-type: none"> <li>■ Eemaldage akuplokk ja kinnitage piire trimmeri külge.</li> <li>■ Kasutage seadme jaoks ette nähtud nailonist jõhvi, mille diameeter pole suurem kui 2,4 mm.</li> <li>■ Seisake trimmer, ühendage aku lahti ja eemaldage mootori võlli ja trimmeripea ümber kogunenud rohi.</li> <li>■ Tõstke trimmeri pea rohu seest välja. Mootor hakkab uuesti tööle kohe, kui takistus on eemaldatud. Niitmise ajal liigutage trimmeri pead niidetava rohu sisse ja sealt välja ning ärge lõigake korraga rohkem kui 20 cm rohtu.</li> <li>■ Jahutage akuplokki või trimmerit, kuni temperatuur langeb alla 67°C.</li> <li>■ Paigaldage akuplokk tagasi.</li> <li>■ Laadige akuplokki.</li> </ul> |

ET

| PROBLEEM   | PÕHJUS   | LAHENDUS   |
|--|--|--|
| Trimmeri pea ei anna lisajõhvi välja.  | <ul style="list-style-type: none"> <li>■ Rohi on ummistanud mootori võlli või trimmeri pea.</li> <li>■ Pooli ümber pole piisavalt jõhvi.</li> <li>■ Trimmeri pea on määrdunud.</li> <li>■ Jõhv kiilub poolile kinni.</li> <li>■ Jõhv on liiga lühike.</li> </ul> | <ul style="list-style-type: none"> <li>■ Seisake trimmer, ühendage aku lahti ja puhastage mootori võlli ja trimmeri pead.</li> <li>■ Eemaldage aku ja vahetage jõhv, järgides käesoleva juhendi alapunktis "JÕHVI VAHETAMINE" antud juhiseid.</li> <li>■ Eemaldage akuplokk ja puhastage trimmeri pead.</li> <li>■ Eemaldage aku ning kerige jõhv trimmeri pea pealt maha ja tagasi, järgides juhiseid käesoleva juhendi jaotises "LÕIKEJÕHVI UUESTI LAADIMINE".</li> <li>■ Eemaldage aku ja tõmmake jõhve käsitsi ning vajutage samaaegselt mitu korda trimmeri pea peale.</li> </ul> |
| Rohi keerdub ümber trimmeri pea ja mootori korpuse.                                  | <ul style="list-style-type: none"> <li>■ Kõrget rohtu lõigatakse maapinna lähedal.</li> </ul>  | <ul style="list-style-type: none"> <li>■ Alustage kõrge muru lõikamist ülevalt ja keerdumise vältimiseks eemaldage korraka kuni 20 cm.</li> </ul>  |
| Trimmeripea on mõranenud või alumise katte moodul tuleb ülemise katte küljest lahti. | <ul style="list-style-type: none"> <li>■ Trimmeripea on kulunud.</li> </ul>  | <ul style="list-style-type: none"> <li>■ Trimmeripea vahetamist peab teostama vastava kvalifikatsiooniga tehnik.</li> </ul>  |

## GARANTII

### EGO GARANTIIPÕHIMÕTTED

Täielikud EGO garantiitingimused leiate veebilehelt [egopowerplus.com](http://egopowerplus.com).

ET

## ПРОЧИТАЙТЕ ВСІ ІНСТРУКЦІЇ!



### ПРОЧИТАЙТЕ ПОСІБНИК З ЕКСПЛУАТАЦІЇ



#### ПОПЕРЕДЖЕННЯ. Залишковий ризик!

Люди з електронними пристроями, наприклад кардіостимуляторами, повинні проконсультуватися зі своїм лікарем (лікарями) перед використанням цього виробу. Експлуатація електрообладнання в безпосередній близькості від кардіостимулятора може спричинити перешкоди або несправність кардіостимулятора.



#### Попередження щодо безпеки



Надягайте засоби захисту очей – працюючи з цим виробом, завжди носіть закриті захисні окуляри чи відкриті захисні окуляри з бічними щитками або повнопрофільну захисну маску.



Надягайте засоби захисту органів слуху – під час роботи з цим виробом завжди використовуйте засоби захисту органів слуху.



Надягайте засоби захисту голови – носіть схвалений захисний шолом для захисту голови.



Не встановлюйте кругові різальні леза.



Ширина – макс. ширина різання лісового тримера



Переконайтеся, що інші люди та домашні тварини залишаються на відстані принаймні 15 м від лісового тримера, коли він використовується.



Гарантований рівень звукової потужності. Розповсюдження шуму в навколишнє середовище згідно з директивою Європейського співтовариства.



Відходи електричних виробів не слід викидати разом із побутовим сміттям. Зверніться до авторизованого пункту переробки.

$n_0$

Швидкість холостого ходу-Обертова швидкість без навантаження



Постійний струм

## СИМВОЛИ, ЩО СТОСУЮТЬСЯ БЕЗПЕКИ



**ПОПЕРЕДЖЕННЯ.** Використання будь-яких електроінструментів може призвести до потрапляння сторонніх предметів в очі, що може спричинити серйозне пошкодження очей. Перед початком експлуатації електроінструмента завжди надягайте закриті захисні окуляри або відкриті захисні окуляри з бічними щитками та, якщо потрібно, повнопрофільну захисну маску. Ми рекомендуємо захисну маску широкого розміру для використання поверх окулярів або стандартні відкриті захисні окуляри з бічними щитками.



З метою зменшення ризику отримання травм користувач повинен прочитати посібник з експлуатації.



Надягайте захисне взуття – використовуючи таке обладнання, одягайте неслизьке захисне взуття.



Надягайте захисні рукавиці. – під час роботи з лезом і щитком леза одягайте рукавиці для захисту рук.



Остерігайтеся упору леза – попередьте оператора про небезпеку упору леза.



Діаметр – діаметр нейлонової ріжучої ліски



Відкинуті предмети можуть відрикошетитись і призвести до травм або пошкоджень майна. Переконайтеся, що інші люди та домашні тварини залишаються на відстані від куцюріза, коли він використовується.



Не використовуйте цей пристрій у дощ і не залишайте його в дощ надворі.



Цей виріб відповідає чинним директивам ЄС.

UK

V

Напруга

.../min

На хвилину

kg

Кілограм

## ТЕХНІЧНІ ХАРАКТЕРИСТИКИ

|  |                            |  |
|--|----------------------------|--|
|  | Головка тримера            | Лезо з 3 зубцями                               |
| Напруга  | 56 В ---                   | 56 В ---                                       |
| Діапазон рекомендованих робочих температур:  | 0°C–40°C                   |  |
| Діапазон рекомендованих температур зберігання:                                     | -20°C–70°C                 |  |
| Оптимальна температура заряджання  | 5°C–40°C                   |  |
| Швидкість без навантаження   | 5000/6000 хв <sup>-1</sup> | 5000/6000 хв <sup>-1</sup>                     |
| Тип ріжучої ліски  | 2,4 мм                     | /  |
| Лезо   | /                          | АВВ1203  |
| Ширина різання   | 38 см                      | 30 см  |
| Вага (без акумулятора)   | 4,21 кг.                   | 4,45 кг  |
| Вимірний рівень звукової потужності L <sub>WA</sub>                                | 94,6 дБ(А)<br>K=1,8 дБ(А)  | 96,5 дБ(А)<br>K=1,88 дБ(А)                     |
| Рівень звукового тиску на місці вуха оператора L <sub>PA</sub>                     | 81,7 дБ(А)<br>K=2,5 дБ(А)  | 76,5 дБ(А)<br>K=3 дБ(А)                        |
| Гарантований рівень звукової потужності L <sub>WA</sub> (відповідно до 2000/14/EC) | 96 дБ(А)                   | 98 дБ(А)                                       |
| Вібрація a <sub>h</sub>  | Передня допоміжна ручка    | 3,2 м/с <sup>2</sup><br>K=1,5 м/с <sup>2</sup> |
|  | Задня ручка                | 2,3 м/с <sup>2</sup><br>K=1,5 м/с <sup>2</sup> |
|  |                            | 2,8 м/с <sup>2</sup><br>K=1,6 м/с <sup>2</sup> |
|  |                            | 3,1 м/с <sup>2</sup><br>K=1,6 м/с <sup>2</sup> |

- Вказане загальне значення вібрації виміряне за стандартним методом тестування і може використовуватися для порівняння одного інструмента з іншим;
- Заявлене сумарне значення вібрації може також використовуватися для попередньої оцінки впливу.

**ПРИМІТКА.** Емісія вібрації під час фактичного використання електроінструмента може відрізнятися від заявленої величини, у якій використовується інструмент. Щоб захистити оператора, користувач повинен одягати рукавички та захисні навушники в реальних умовах використання.

## ОПИС

### ОЗНАЙОМЛЕННЯ З ЛІСКОВИМ ТРИМЕРОМ (рис. А1)

1. Порогове кільце
2. Тригер
3. Задня ручка
4. Отвір для входу повітря
5. Кнопка блокування
6. Перемикач низької/високої швидкостей
7. Кріплення ремінця на плече
8. Регульована передня допоміжна ручка
9. Плечовий ремінь
10. Багатофункціональний ключ
11. Шестигранний ключ
12. Головка тримера (ударна головка)
13. Ріжуча ліска
14. Фіксатор
15. Лісковий ніж
16. Щиток
17. Механізм викидання
18. Електричні контакти
19. Засувка
20. Гумова прокладка
21. Кнопка звільнення батареї
22. Захисна бар'єрна штанга (тільки для головки кущоріза)
23. Стопорний штифт для захисної бар'єрної штанги (тільки для головки кущоріза)
24. Зовнішній фланець (тільки для головки кущоріза)
25. Гайка (тільки для головки кущоріза)
26. Гвинти (тільки для головки кущоріза)

### ПАКУВАЛЬНИЙ СПИСОК

| НАЗВА ДЕТАЛІ                    | КІЛЬКІСТЬ |
|---------------------------------|-----------|
| Лісковий тример                 | 1         |
| Щиток                           | 1         |
| Передня допоміжна ручка в зборі | 1         |
| Шестигранний ключ               | 1         |
| Багатофункціональний ключ       | 1         |
| Плечовий ремінь                 | 1         |
| Посібник користувача            | 1         |
| Сторонній штифт                 | 1         |
| Зовнішній фланець               | 1         |
| Гайка                           | 1         |



|       |   |
|-------|---|
| ГВИНТ | 2 |
|-------|---|

## ЗБИРАННЯ

### УСТАНОВЛЕННЯ ЩИТКА

1. Відкрутіть і зніміть два гвинти зі щитка (рис. В).
2. Вирівняйте кріпильні отвори щитка з отворами для збірки, а потім зафіксуйте щиток на основі вала за допомогою двох гвинтів разом із двома пружинними шайбами (рис. С).

**ПРИМІТКА.** Переконайтесь, що захисний щиток закріплений відповідно до рисунків В і С, будь-яке зворотне кріплення може призвести до великої небезпеки!

### УСТАНОВЛЕННЯ ТА РЕГУЛЮВАННЯ ПЕРЕДНЬОЇ ДОПОМІЖНОЇ РУЧКИ

1. Відкрутіть фіксувальну штангу в передній допоміжній ручці та зніміть фіксувальну штангу і гайку-баранець із передньої допоміжної ручки (рис. D).

**ПРИМІТКА.** Установіть захисну бар'єрну штангу в зборі на ручку-скобу за допомогою двох гвинтів, якщо інструмент обладнано головкою кущоріза.

**ПРИМІТКА.** Існує два види стопорних штифтів, коротший призначений для використання з головою тримера. Довший призначений для використання з головою кущоріза. Будьте уважні та виберіть правильний стопорний штифт під час використання інструмента.

|     |                         |     |   |
|-----|-------------------------|-----|---|
| D-1 | Передня допоміжна ручка | D-4 | Захисна бар'єрна штанга (тільки для головки кущоріза) |
| D-2 | Затискний блок          | D-5 | Стопорний штифт                                       |
| D-3 | Гайка-баранець          |     |   |

2. Натисніть на передню ручку в напрямку вала на передній частині порогового кільця. Ніколи не поміщайте її між пороговим кільцем і областю задньої ручки (рис. E).
3. Вставте затискний блок у гніздо для ручки (рис. F).
4. Закріпіть стопорний штифт і злегка закрутіть її гайкою-баранцем. Переконайтесь, що передня допоміжна ручка направлена на верхню частину задньої ручки (рис. G).
5. Відрегулюйте передню допоміжну ручку між пороговим кільцем та етикеткою, щоб переконатися, що передня ручка розташована прямо під час роботи (рис. H).
6. Зафіксуйте важіль фіксувальної штанги. (Рис. I).

**⚠ ПОПЕРЕДЖЕННЯ.** Інструмент не можна використовувати без надійної фіксації передньої допоміжної ручки.

### КРІПЛЕННЯ ПЛЕЧОВОГО РЕМІНЦЯ

Натисніть на гачок ремня, щоб відкрити його, і прикріпіть його до кріплення плечевого ремня (рис. J).

## ЕКСПЛУАТАЦІЯ

**⚠ ПОПЕРЕДЖЕННЯ.** Завжди носіть закриті або відкриті захисні окуляри з бічними щитками разом із захисними навушниками. Без окулярів ви ризикуєте отримати травми очей від викинутих предметів та інші серйозні травми.

Ви можете використовувати цей виріб для цілей, перелічених нижче:

**Підрізання:** використовується для видалення трави та бур'янів біля стін, парканів, дерев та бордюрів.

**Зрізання:** використовується для зрізання трави, яку важко дістати за допомогою звичайної косарки.

**ПРИМІТКА.** Цей інструмент має використовуватись тільки за призначенням. Будь-яке інше використання, наприклад підрізання країв, вважається випадком використання не за призначенням.

### УСТАНОВЛЕННЯ І ВИДАЛЕННЯ АКУМУЛЯТОРА

Використовуйте лише акумулятори та зарядні пристрої, перелічені на рис. A2.

### Повністю зарядіть перед першим використанням

#### Установлення

Вирівняйте виступи на акумуляторі з кріпильними отворами та натисніть на акумуляторну батарею, доки не почуєте «клацання» (рис. K).

#### Видалення

Натисніть кнопку звільнення акумулятора та витягніть акумуляторну батарею, як показано на рис. L.

|     |                              |
|-----|------------------------------|
| L-1 | Кнопка розблокування батареї |
|-----|------------------------------|

### ТРИМАННЯ ТРИМЕРА

Для безпечної та кращої експлуатації надягайте ремінець через плече, як показано на рис. N. Відрегулюйте плечовий ремінець у зручному робочому положенні. Тримайте лісковий тример обома руками. Тримайте прилад однією рукою за задню ручку, а іншою рукою за передню допоміжну ручку.

UK

**ПРИМІТКА.** Головка тримера має бути паралельною землі на достатній відстані для різання, оператор не повинен нагинатися (рис. N).

Існує два способи звільнення ремінця. Зніміть його прямо з плеча (рис O) або натисніть на гачок ремінця і витягніть його з кріплення плечового ремня, закріпленого на валу (рис. P).

**⚠ ПОПЕРЕДЖЕННЯ.** Плечовий ремінь також є механізмом швидкого звільнення в небезпечній ситуації. Коли трапляється надзвичайна ситуація, негайно зніміть його з плеча, незалежно від того, у який спосіб одягнуто ремінь.

### ЗАПУСК/ЗУПИНКА ЛІСКОВОГО ТРИМЕРА (рис. M)

#### Запуск

Натисніть важіль блокування, а потім натисніть на тригер. Різний тиск на тригер призводить до змінної швидкості обертання ріжучої ліски. Що більше тиску, то більша швидкість.

#### Зупинка

Відпустіть тригер

**ПРИМІТКА.** Мотор працює лише тоді, коли кнопку блокування та тригер натиснуто.

#### Функція регулювання швидкості (рис. M)

Лісковий тример має дві швидкості. Положення «1» для низької швидкості та положення «2» для високої швидкості.

|     |                                      |
|-----|--------------------------------------|
| M-1 | Перемикач низької/високої швидкостей |
| M-2 | Кнопка блокування                    |
| M-3 | Тригер                               |

### ВИКОРИСТАННЯ ЛІСКОВОГО ТРИМЕРА

Очищуйте ділянку підрізання перед кожним використанням. Видаліть усі предмети, такі як камені, бите скло, цвяхи, дроти або ліску, які можуть бути відкинуті або затягнуті в ріжуче обладнання. Приберіть із робочої області дітей, сторонніх і домашніх тварин. Принаймні тримайте всіх дітей, сторонніх спостерігачів і домашніх тварин на відстані не менше 15 м; проте для сторонніх спостерігачів усе одно може бути ризик від відкинутих предметів. Стороннім спостерігачам слід рекомендувати носити засоби захисту очей. Перед наближенням зупиніть мотор і ріжучий пристрій негайно.

#### Перед кожним використанням перевірте наявність пошкоджень/зношених деталей

Перевірте ударну головку, щиток і передню ручку, а також замініть частини, які тріснули, викривлені, зігнуті або будь-яким чином пошкоджені.

Ріжучий лісковий ніж на краю щитка може затупитися з часом. Рекомендується періодично заточувати його за допомогою напилка або замінити його на нове лезо.

#### Після кожного використання очистьте тример.

#### РЕГУЛЮВАННЯ ДОВЖИНИ РІЖУЧОЇ ЛІСКИ.

Тримерна головка дає оператору змогу випускати більше ріжучої ліски, не зупиняючи мотор. Коли ліска стирається або зношується, можна випустити додаткову ліску, злегка вдаривши головою тримера об землю під час роботи з тримером (рис. Q).

**ПРИМІТКА.** Випуск ліски стане складнішим, коли ріжуча ліска стане коротшою.

**⚠ ПОПЕРЕДЖЕННЯ.** Не видаляйте та не змінюйте ріжуче лезо в зборі. Надмірна довжина ліски призведе до перегріву мотора та може спричинити серйозні травми.

#### ЗАМІНА ЛІСКИ

**ПРИМІТКА.** Завжди використовуйте рекомендовану нейлонову ріжучу ліску з діаметром не більше 2,4 мм. Використання іншої ліски, відмінної від указаної, може спричинити перегрівання ліскового тримера або його пошкодження.

**⚠ ПОПЕРЕДЖЕННЯ.** Ніколи не використовуйте армовану металом ліску, дріт, мотузку тощо. Вони можуть зламатися і стати небезпечними снарядами.

1. Вийміть акумуляторну батарею.
2. Видаліть залишкову ріжучу ліску, якщо це необхідно.
3. Відріжте 4 м ріжучої ліски, вставте ліску в кріпильний отвір усередині вушка (рис. R). Натисніть і витягніть ліску з іншої сторони, доки не з'явиться рівна кількість ліски з обох боків котушки.
4. Натискайте, обертаючи нижню кришку в зборі в напрямку стрілки, щоб намотати ліску на котушку, доки на кожній стороні не з'явиться приблизно 14 см ліски (рис. S).
5. Натисніть на нижню кришку в зборі, тягнучи за ліску, щоб просувати ліску вручну, і перевірте, чи тримерну головку зібрано правильно.

Коли ріжуча ліска виривається з лінійного отвору або ріжуча ліска не випускається під час удару тримерної головки, виконайте такі дії:

1. Натисніть на фіксатори верхньої кришки та зніміть нижню кришку в зборі, витягнувши її (рис. T та U).
2. Видаліть ріжучу ліску з котушки.

3. Тримавши однією рукою нижню кришку в зборі, іншою рукою візьміться за нижню кришку в зборі і сумістіть виступи на верхній кришці з отворами на нижній кришці в зборі (рис. V). Натискайте долонею на нижню кришку в зборі, доки фіксатори не зафіксуються на верхній кришці.
4. Дотримуйтесь інструкцій у розділі «ЗАМІНА ЛІСКИ», щоб заправити ріжучу ліску.

### ЗАМІНА ЛЕЗА З 3 ЗУБЦЯМИ

1. Зніміть нижню кришку в зборі, як показано на рис. T і U
2. Вставте стабілізатор, а потім за допомогою ударного торцевого гайкового ключа послабте гайку, як показано на рис. X1 і X2.
3. Зніміть усі деталі, крім внутрішнього фланця і гайки (рис. X3), установіть лезо на вал мотора, як показано на рис. X4.
4. Затягніть болт леза, як показано на рис. X5.

## ОБСЛУГОВУВАННЯ

**▲ ПОПЕРЕДЖЕННЯ.** Використовуйте для технічного обслуговування лише ідентичні запчастини. Регулярно оглядайте інструмент і виконуйте його обслуговування. Для гарантування безпеки та надійності всі ремонтні роботи повинен проводити кваліфікований технічний спеціаліст.

**▲ ПОПЕРЕДЖЕННЯ.** Щоб запобігти серйозним травмам, вийміть акумуляторну батарею з інструмента перед обслуговуванням, очищенням, заміною додаткових насадок або видаленням матеріалу з пристрою.

**▲ ЗАСТЕРЕЖЕННЯ.** Засмічення вентиляційних отворів перешкоджає проникненню повітря в корпус мотора і може призвести до перегріву або пошкодження мотора.

### ОЧИЩЕННЯ ПРИЛАДУ

- Очиште прилад вологою ганчіркою з м'яким миючим засобом. Ніколи не допускайте потрапляння рідини всередину інструмента; ніколи не занурюйте будь-яку частину інструмента в рідину.
- Не використовуйте сильні миючі засоби на пластиковому корпусі або ручці. Вони можуть бути пошкоджені деякими ароматичними маслами, наприклад хвойним і лимонним, а також розчинниками, такими як гас. Вологість також може становити небезпеку удару. Обережно протріть вологу м'якою сухою тканиною.

- Використовуйте невелику щітку або невеликий пилосос із вдувом повітря для очищення вентиляційних отворів ззаду на корпусі.
- Завжди оберегайте вентиляційні отвори в корпусі мотора від сміття.

### ЗМАЩЕННЯ ЗУБЧАСТИХ ПЕРЕДАЧ

Зубчасті передачі в корпусі редуктора необхідно періодично змащувати трансмісійним мастилом. Перевіряйте рівень змащення корпусу редуктора приблизно кожні 50 годин роботи, знявши гвинт із гнізда на боці корпусу.

Якщо на боках редуктора не видно мастила, виконайте кроки нижче, щоб залити трансмісійне мастило на 3/4 ємності. Не заповнюйте редуктори повністю.

1. Тримайте лісковий тример на боці так, щоб герметичний гвинт був спрямований вгору (рис. W).
2. Використовуйте багатофункціональний гайковий ключ, який входить у комплект, щоб відкрутити та зняти герметичний гвинт.
3. Використовуйте шприц для змащення (не входить у комплект), щоб влити мастило в отвір; не перевищуйте 3/4 ємності.
4. Затягніть герметичний гвинт після вливання.

### ЗБЕРІГАННЯ ПРИЛАДУ

- Витягніть акумуляторну батарею з тримера, коли він не використовується.
- Перед зберіганням інструмент необхідно ретельно очистити.
- Зберігайте пристрій у сухому, добре вентильованому, закритому або високо розташованому недоступному для дітей місці. Не зберігайте пристрій біля мінеральних добрив, бензину та інших хімікатів.

### Захист довкілля



Не викидайте електричне обладнання, акумулятор і зарядний пристрій у побутові відходи! Віднесіть цей виріб авторизованому переробнику й надайте його для роздільного збирання. Електроінструменти необхідно повернути в підприємство, що займається екологічно безпечною переробкою.

**UK**

## УСУНЕННЯ НЕСПРАВНОСТЕЙ

| НЕСПРАВНІСТЬ                                | ПРИЧИНА   | ВИРІШЕННЯ   |
|---|---|---|
| Лісовий тример не запускається.             | <ul style="list-style-type: none"> <li>■ Акумуляторна батарея не приєднана до тримера.</li> <li>■ Немає електричного контакту між тримером і батареєю.</li> <li>■ Акумуляторна батарея розряджена.</li> <li>■ Кнопка блокування та тригер не натиснуто одночасно.</li> </ul>  | <ul style="list-style-type: none"> <li>■ Під'єднайте акумулятор до тримера.</li> <li>■ Вийміть акумулятор, перевірте контакти та знову встановіть акумулятор.</li> <li>■ Зарядіть акумуляторну батарею.</li> <li>■ Натисніть кнопку блокування та утримуйте її, а потім натисніть на тригер, щоб увімкнути лісовий тример.</li> </ul>   |
| Лісовий тример зупиняється під час різання. | <ul style="list-style-type: none"> <li>■ Щиток не встановлено на тример, у результаті чого ріжуча ліска надмірно довга і мотор перевантажено.</li> <li>■ Використовується важка ріжуча ліска.</li> <li>■ У валі мотора або головці тримера застрягла трава.</li> <li>■ Мотор перевантажено.</li> <li>■ Акумулятор або лісовий тример надто гарячі.</li> <li>■ Акумулятор від'єднано від інструмента.</li> <li>■ Акумуляторна батарея розряджена.</li> </ul> | <ul style="list-style-type: none"> <li>■ Вийміть акумуляторну батарею та встановіть щиток на тример.</li> <li>■ Використовуйте рекомендовану нейлонову ріжучу ліску з діаметром не більше 2,4 мм.</li> <li>■ Зупиніть тример, вийміть акумулятор і витягніть траву з вала мотора та головки тримера.</li> <li>■ Заберіть головку тримера з трави. Мотор відновить роботу, щойно навантаження буде усунуто. Під час різання переміщайте тримерну головку в траву і з неї, і прибирайте не більше 20 см довжини за одне різання.</li> <li>■ Дайте акумуляторній батареї або тримеру охолонути, доки температура не опуститься нижче 67 °C.</li> <li>■ Знову встановіть акумуляторну батарею.</li> <li>■ Зарядіть акумуляторну батарею.</li> </ul> |

**UK**

| НЕСПРАВНІСТЬ   | ПРИЧИНА  | ВИРІШЕННЯ   |
|--|--|---|
| Тримерна головка не просуває ліску.  | <ul style="list-style-type: none"> <li>■ У валі мотора або головці тримера застрягла трава.</li> <li>■ На катушці бракує ліски.</li> <li>■ Тримерна головка брудна.</li> <li>■ Ліска заплуталась у катушці.</li> <li>■ Ліска занадто коротка.</li> </ul> | <ul style="list-style-type: none"> <li>■ Зупиніть тример, вийміть акумулятор і очистьте вал мотора та головку тримера.</li> <li>■ Вийміть акумулятор і замініть ріжучу ліску; дотримуйтеся вказівок у розділі «ЗАМІНА ЛІСКИ» в цьому посібнику.</li> <li>■ Вийміть батарею та очистьте тримерну головку.</li> <li>■ Зніміть акумулятор, витягніть ліску з тримерної головки та перемотайте; дотримуйтеся вказівок у розділі «ЗАПРАВЛЕННЯ РІЖУЧОЇ ЛІСКИ» в цьому посібнику.</li> <li>■ Вийміть акумулятор і витягніть ліску вручну, поперемінно натискаючи та відпускаючи тримерну головку.</li> </ul> |
| Трава намоталася на головку тримера та корпус мотора.  | <ul style="list-style-type: none"> <li>■ Різання високої трави на рівні землі.</li> </ul>  | <ul style="list-style-type: none"> <li>■ Virізайте високу траву згори вниз, видаляючи не більше 20 см за кожен прохід, щоб запобігти намотуванню.</li> </ul>  |
| Тріщини на тримерній головці, або послаблюється кріплення нижньої кришки в зборі до верхньої кришки. | <ul style="list-style-type: none"> <li>■ Головка тримера зношена.</li> </ul>   | <ul style="list-style-type: none"> <li>■ Замініть тримерну головку негайно, доручіть це кваліфікованому технічному спеціалісту.</li> </ul>  |

## ГАРАНТІЯ

### ПРАВИЛА ГАРАНТІЇ EGO

Відвідайте веб-сайт [egopowerplus.com](http://egopowerplus.com) для отримання повного тексту умов гарантійної політики EGO.

UK

## ПРОЧЕТЕТЕ ВСИЧКИ ИНСТРУКЦИИ)



### ПРОЧЕТЕТЕ РЪКОВОДСТВОТО НА ОПЕРАТОРА

**⚠ ПРЕДУПРЕЖДЕНИЕ:** Остатъчен риск! Хора с електронни устройства, като пейсмейкър трябва да се консултират с лекуващия(те) си лекар(и) преди употреба на този продукт. Работата с електрическо оборудване в непосредствена близост до сърдечен пейсмейкър може да предизвика смущение или неизправност на пейсмейкъра.



### Сигнал за безопасност



Носете защита за очите - Винаги носете предпазни очила със странична защита и предпазен екран за цялото лице, когато работите с този продукт.



Носете защита за слуха - Винаги носете защита за слуха, когато работите с този продукт



Носете защита за главата - Носете одобрена предпазна каска с твърдо бомбе за да предпазите главата.



Не монтирайте кръгли режещи ножове.



Ширина - Максималната режеща ширина на кордов тример



Уверете се, че други хора и домашни любимци спазват поне 15 м разстояние от тримера, когато го използвате.



Гарантирано ниво на мощност на звука. Звуките емисии към околната среда са в съответствие с директивите на европейската общност.



Отпадъчните електрически продукти не трябва да бъдат изхвърляни заедно с домакинския отпадък. Отнесете го до упълномощено място за рециклиране.

$n_0$

Скорост без натоварване-Скорост на въртене без товар



Постоянен ток

## СИМВОЛИ ЗА БЕЗОПАСНОСТ



**⚠ ПРЕДУПРЕЖДЕНИЕ:** Експлоатацията на всички електрически инструменти, може да доведе до изхвърляне на чужди предмети към вашите очи, което може да доведе до сериозно нараняване на очите. Преди започване на работа с електрически инструмент, винаги носете предпазни очила със странична защита и визьор за цялото лице, когато е необходимо. Ние препоръчваме предпазна маска с широк визьор за употреба над очила или стандартни предпазни очила със странична защита.



За намаляване на опасността от нараняване, потребителят трябва да прочете ръководството на оператора.



Носете предпазни ръкавици - Носете непълзгащи се обувки за безопасност, когато използвате това оборудване.



Носете защитни ръкавици - Защитете ръцете си с ръкавици, когато боравите с ножа или предпазителя на ножа.



Пазете се от тласкане на ножа - Предупредете оператора за опасност от тласкане на ножа.



Диаметър - Диаметър на найлонова режеща корда



Изхвърлените обекти могат да рикошират и да доведат до нараняване или щети по собствеността. Уверете се, че други хора и домашни любимци спазват достатъчно разстояние от хростореза, когато го използвате.



Не използвайте в дъжд или не го оставяйте навън, когато вали.



Този продукт е в съответствие с приложимите директиви на ЕС.

V Напрежение

.../min на минута

kg Килограм

BG

## СПЕЦИФИКАЦИИ

|   |                                |  |
|---|--------------------------------|--|
|   | Тримерна глава                 | Нож с 3 зъба                                   |
| Напрежение  | 56 V $\overline{\text{---}}$   | 56 V $\overline{\text{---}}$                   |
| Препоръчителна работна температура                                      | 0°C-40°C                       |  |
| Препоръчителна температура на съхранение                                | -20°C-70°C                     |  |
| Оптимална температура на зареждане                                      | 5°C-40°C                       |  |
| Скорост без натоварване   | 5000/6000 min <sup>-1</sup>    | 5000/6000 min <sup>-1</sup>                    |
| Режеща корда тип  | 2,4mm                          | /  |
| Режещо острие   | /                              | ABB1203  |
| Ширина на рязане  | 38cm                           | 30cm   |
| Тегло (без акумулаторна батерия)  | 4,21Kg                         | 4,45 kg  |
| Измерено ниво на сила на звука L <sub>WA</sub>                          | 94,6 dB(A)<br>K=1,8 dB(A)      | 96,5 dB(A)<br>K=1,88 dB(A)                     |
| Ниво на звуково налягане при ухото на оператора L <sub>PA</sub>         | 81,7 dB(A)<br>K=2,5 dB(A)      | 76,5 dB(A)<br>K=3 dB(A)                        |
| Гарантирано ниво на сила на звука L <sub>WA</sub> (съгласно 2000/14/EC) | 96 dB(A)                       | 98 dB(A)                                       |
| Вибрации a <sub>h</sub>   | Предна спомагателна ръкохватка | 3,2 m/s <sup>2</sup><br>K=1,5 m/s <sup>2</sup> |
|   | Задна ръкохватка               | 2,3 m/s <sup>2</sup><br>K=1,5 m/s <sup>2</sup> |
|   |                                | 2,8 m/s <sup>2</sup><br>K=1,6 m/s <sup>2</sup> |
|   |                                | 3,1 m/s <sup>2</sup><br>K=1,6 m/s <sup>2</sup> |

- Декларираният общ размер на вибрации е измерен в съответствие със стандартния метод за тест и може да бъде използван за сравнение между два инструмента;
- Декларираният общ размер на вибрации може също така да бъде използван за предварителна оценка на влиянието.

**БЕЛЕЖКА:** Вибрационните емисии по време на действителната употреба на електрическия инструмент може да се различава от декларираната стойност. С цел да се защити оператора, потребителят трябва да носи ръкавици и антифони в действителни условия на работа.

## ОПИСАНИЕ

**ЗАПОЗНАЙТЕ СЕ С ВАШИЯ КОРДОВ ТРИМЕР (Фиг. А1)**

1. Ограничителен пръстен

2. Спусък
3. Задна ръкохватка
4. Вход за въздух
5. Бутон за отключване
6. Превключвател за скорост висока/ниска
7. Монтажна халка за раменния ремък
8. Регулируема предна спомагателна ръкохватка
9. Ремък за рамо
10. Мултифункционален гаечен ключ
11. Ключ шестограм
12. Тримерна глава (ударна глава)
13. Режеща корда
14. Бутон за освобождаване
15. Режещ нож за кордата
16. Предпазител
17. Механизъм за изваждане
18. Електрически контакти
19. Резе
20. Предпазна гумена подложка
21. Бутон за освобождаване на батерията
22. Предпазен бариерен прът (само за глава на хросторез)
23. Фиксиращ прът за предпазния бариерен прът (само за глава на хросторез)
24. Външен фланец (само за глава на хросторез)
25. Гайка (само за глава на хросторез)
26. Винтове (само за глава на хросторез)

## ОПАКОВЪЧЕН ЛИСТ

| ИМЕ НА ЧАСТ                      | БРОЙ |
|----------------------------------|------|
| Линеен тример                    | 1    |
| Предпазител                      | 1    |
| Предната спомагателна ръкохватка | 1    |
| Ключ шестограм                   | 1    |
| Многофункционален гаечен ключ    | 1    |
| Ремък за рамо                    | 1    |
| Ръководство на оператора         | 1    |
| Фиксиращ прът                    | 1    |
| Външен фланец                    | 1    |
| Гайка                            | 1    |
| Винт                             | 2    |

BG

## МОНТАЖ

### МОНТАЖ НА ПРЕДПАЗИТЕЛЯ

1. Разхлабете и извадете двата винта от предпазителя (фиг. В).

2. Подравнете монтажните отвори на предпазителя с отворите за монтажния механизъм и след това захванете предпазителя в основата на щангата с двата винта заедно с две пружинни шайби (фиг. С).

**БЕЛЕЖКА:** Уверете се, че предпазителят е закрепен съгласно фиг. В и С, всяко закрепване на обратно ще причини голяма опасност!

## МОНТИРАНЕ И РЕГУЛИРАНЕ НА ПРЕДНАТА СПОМАГАТЕЛНА РЪКОХВАТКА

1. Разхлабете фиксиращия прът в предната спомагателна ръкохватка и снемете фиксиращия прът и крилчатата гайка от предната спомагателна ръкохватка (фиг. D).

**БЕЛЕЖКА:** Инсталирайте възела на предпазния бариерен прът върху затворената ръкохватка с двата винта, когато инструментът е оборудван с глава на хросторез.

**БЕЛЕЖКА:** Има два вида фиксиращ прът, късият се използва с тримерната глава. Дългият се използва с глава на хросторез. Внимавайте да изберете правилния фиксиращ прът, когато използвате инструмента.

|     |                                |     |  |
|-----|--------------------------------|-----|--|
| D-1 | Предна спомагателна ръкохватка | D-4 | Предпазен бариерен прът (само за глава на хросторез) |
| D-2 | Затягащ блок                   | D-5 | Фиксиращ прът  |
| D-3 | Крилчатата гайка               |     |  |

2. Натиснете предната ръкохватка върху вала от предната страна на ограничителния пръстен. Никога не я поставяйте между ограничителния пръстен и зоната на задната ръкохватка (Фиг. E).
3. Поставете затягащия блок в отвора на ръкохватката (фиг. F).
4. Монтирайте заключването на пръта и затегнете предварително с крилчатата гайка. Уверете се, че предната спомагателна ръкохватка е нагоре и сочи към върха на задната ръкохватка (фиг. G).
5. Регулирайте предната спомагателна ръкохватка между ограничителния пръстен и етикета, за да сте сигурни, че вашата предна ръка е права, когато работите (фиг. H).
6. Застопорете лоста на фиксиращия прът. (Фиг. I).

**⚠ ПРЕДУПРЕЖДЕНИЕ:** Инструментът не може да бъде използван без сигурно затегната предна спомагателна ръкохватка.

## МОНТИРАНЕ НА РЕМЪКА ЗА РАМО

Натиснете куката на ремъка, за да я отворите и я закрепете върху монтажната халка за раменния ремък (фиг. J).

## ЕКСПЛОАТАЦИЯ

**⚠ ПРЕДУПРЕЖДЕНИЕ:** Винаги носете предпазни работни очила или предпазни очила със страничен щит заедно със защитата за слуха. Ако не го направите може да се стигне до изхвърляне на предмети към очите ви и други възможни сериозни наранявания.

Може да използвате този продукт за целите описани долу:

**Подкастриане:** използва се за да се премахне тревата и плевелите до стени, огради, дървета и лехи.

**Рязане:** използва се за рязане на трева, която е трудно достъпна използвайки нормална косачка.

**БЕЛЕЖКА:** Инструментът трябва да бъде използван само за предназначенията цели. Всяка друга употреба, примерно подрязване на ръбове се смята за случай на злоупотреба.

## МОНТИРАНЕ/ИЗВАЖДАНЕ НА АКУМУЛАТОРНАТА БАТЕРИЯ

Използвайте само с акумулаторни батерии и зарядни устройства изброени на фиг. A2.

### Заредете напълно преди първата употреба

#### За да закрепите

Подравнете ребрата на акумулаторната батерия с монтажните жлебове и натиснете батерията надолу, докато чуете „щракване“ (Фиг. K).

#### За да извадите

Натиснете бутона за освобождаване на батерията и издърпайте акумулаторната батерия навън, както е показано на фиг. L.

L-1 Бутон за освобождаване на батерията

## ХВАЩАНЕ НА КОРДОВИЯ ТРИМЕР

За безопасна и правилна работа, поставете ремъка за рамо през рамото, в съответствие с фиг. N. Настройте ремъка за рамо в удобна позиция за работа. Дръжте кордовия тример с двете ръце: Едната ръка трябва да бъде на задната ръкохватка, а другата на предната спомагателна ръкохватка.

**БЕЛЕЖКА:** Главата на тримера е успоредна на земята на правилно разстояние за рязане, без операторът да се превежда (фиг. N).

Има два начина да освободите ремъка. Свалете го директно от вашето рамо (фиг. O) или натиснете куката на ремъка и я отделете от монтажната халка за раменния ремък, закрепена на щангата (фиг. P).

**⚠ ПРЕДУПРЕЖДЕНИЕ:** Ремъкът за рамо, също е механизъм за бързо освобождаване при опасни



ситуации. При наличие на аварийна ситуация, незабавно го свалете от рамото си, независимо по кой начин се намира ремъка.

### СТАРТИРАНЕ/СПИРАНЕ НА КОРДОВИЯ ТРИМЕР (Фиг. М)

#### За да стартирате

Натиснете и задръжте лоста за отключване и след това натиснете спуська. Различен натиск върху спуська води до различна скорост на въртене на режещата корда. Повече натиска, по-висока скорост.

#### За да спрете

Освободете спуська.

**БЕЛЕЖКА:** Моторът се движи единствено, когато бутонът за отключване и спуська са натиснати заедно.

#### Функция за регулиране на скоростта (Фиг. М)

Кордовият тример има две скорости. Позиция „1“ е за ниска скорост, докато позиция „2“ е за висока скорост.

|     |                                       |
|-----|---------------------------------------|
| M-1 | Превключвател за скорост висока/ниска |
| M-2 | Бутон за отключване                   |
| M-3 | Спуськ                                |

### ИЗПОЛЗВАНЕ НА КОРДОВИЯ ТРИМЕР

Почистете зоната, която трябва да бъде подрязана преди всяка употреба. Почистете всички обекти, като камъни, счупени стъкла, пирони, кабели или въжета, които могат да бъдат изхвърлени или да се оплетат в приставката за рязане. Изчистете зоната от деца, околни хора или домашни любимци. Като минимум дръжте всички деца, околни хора и домашни любимци минимум на 15 м разстояние, въпреки това пак може да съществува риск за околните от изхвърлени обекти. Околните наблюдатели трябва да бъдат насърчени да носят защита за очите. Ако бъдете приближен от човек спрете незабавно мотора и приставката за рязане.

#### Преди всяка употреба проверявайте за повредени/износени части

Проверете ударната глава, предпазителя и предната спомагателна ръкохватка и подменете всички части, които са напукани, деформирани, изкривени или повредени по някакъв начин.

Режещият нож за кордата на ръба на предпазителя може да се изтъпи в течение на времето. Препоръчва се периодично да го заточвате с пила или да го подмените с нов нож.

#### След всяка употреба почистете тримера.

### РЕГУЛИРАНЕ НА ДЪЛЖИНАТА НА РЕЖЕЩАТА КОРДА

Главата на тримера позволява на оператора да отпусне повече режеща корда без да спира мотора. Когато кордата стане разкъсана или износена, може да бъде отпусната допълнителна корда чрез леко потупване в земята на главата на тримера (Фиг. Q).

**БЕЛЕЖКА:** Освобождането на корда ще стане по трудно, с намаляването на кордата.

**⚠ ПРЕДУПРЕЖДЕНИЕ:** Не премахвайте или променяйте устройството на режещия нож за кордата. Прекалената дължина на кордата ще причини прегряване на мотора и може да доведе до сериозно нараняване.

### ПОДМЯНА НА КОРДАТА

**БЕЛЕЖКА:** Използвайте винаги препоръчителната найлонова режеща корда с диаметър не по-голям от 2,4 мм. Използване на корда различна от посочената може да причини прегряване или повреда на тримера.

**⚠ ПРЕДУПРЕЖДЕНИЕ:** Не използвайте никога усилена с метал корда, тел или въже и т.н. Те могат да се счупят и да станат опасни летящи предмети.

1. Премахнете акумулаторната батерия.
2. Премахнете оставащата корда за рязане ако е необходимо.
3. Отрежете 4 м корда вкарайте кордата в монтажния отвор вътре в ухото (фиг. R). Избутайте и дръпнете кордата от другата страна, докато еднакво количество корда се появи от двете страни на макарата.
4. Натиснете, докато въртите възела на долния капак по посока на стрелката, за да навиете кордата в макарата, докато остане приблизително 14 см корда, показваща се от двете страни (Фиг. S).
5. Бутнете надолу възела на долния капак, докато издърпвате кордата за да я придвижите ръчно напред и да проверите за правилно слобяване на главата на тримера.

Когато кордата за рязане се откъсне от изхода за кордата или кордата за рязане не се освобождава, когато потупвате главата на тримера, следвайте долните стъпки:

1. Натиснете пластината за освобождение на горния капак и снемете долния капак, като го издърпате право навън (Фиг. T и U).
2. Извадете кордата за рязане от макарата.
3. Като държите с една ръка възела на долния капак, използвайте другата ръка за да хванете възела на долния капак и подравнете пластините на горния капак с отворите във възела на долния капак (Фиг. V); използвайте дланта си, за да притиснете възела на долния капак, докато

пластините се фиксират в горния капак.

4. Следвайте инструкциите в „ПОДМЯНА НА КОРДАТА“, за да презаредите режещата корда.

## ПОДМЯНА НА НОЖА С 3 ЗЪБА

1. Снемете възела на долния капак както на фиг. Т и U
2. Вкарайте стабилизатора, след това използвайте ударен гайковерт, за да развиете гайката като на фиг. X1 и X2.
3. Отстранете всички части с изключение на вътрешния фланец и гайката (фиг. X3), монтирайте ножа върху вала на двигателя като на фиг. X4.
4. Затегнете ножа като на фиг. X5.

## ПОДДРЪЖКА

**⚠ ПРЕДУПРЕЖДЕНИЕ:** Когато обслужвате, използвайте само идентични резервни части. Проверявайте и поддържайте машината редовно. За да осигурите безопасността и надеждността, всички поправки трябва да се извършват от квалифициран сервизен техник.

**⚠ ПРЕДУПРЕЖДЕНИЕ:** За да предотвратите сериозно нараняване, извадете акумулаторната батерия от инструмента, преди обслужване, почистване, смяна на приставките или изваждане на материал от устройството.

**⚠ ВНИМАНИЕ:** Запушвания на вентилационните отвори ще предотвратят навлизане на въздух във корпуса мотора и ще доведат до прегряване или повреда на мотора.

## ПОЧИСТВАНЕ НА УРЕДА

- Почистете уреда използвайки влажна кърпа и мек почистващ препарат. Никога не позволявайте каквато и да е течност да навлезе вътре в инструмента, никога не потапяйте някоя част от инструмента във вода.
- Не използвайте силен почистващ препарат по пластмасата на корпуса или ръкохватката. Те могат да бъдат повредени от определени ароматни масла като бор и лимон и от разтворители като керосин. Влагата също може да причини токов удар. Избършете всякаква влага със суха мека кърпа.
- Използвайте малка четка или изпусканата въздушна струя от малка четка на прахосмукачка за да почистите, вентилационните отвори в задната страна на корпуса.
- По всяко време пазете вентилационните отвори в корпуса на мотора от отпадъци.

BG

## СМАЗВАНЕ НА ПРЕДАВКИТЕ НА ТРАНСМИСИЯТА

Предавките на трансмисията в предавателната кутия трябва да бъдат периодично смазвани със смазка за редукторни предавки. Проверете нивото на смазката в предавателната кутия приблизително на всеки 50 часа работа, като извадите уплътняващия винт от страни на кутията.

Ако не може да бъде видяна смазка по страните на редуктора, следвайте долните стъпки за да запълните с грес за редукторни предавки до 3/4 от капацитета. Не напълвайте изцяло предавките на трансмисията.

1. Дръжте тримера на една страна, така че уплътняващият винт да сочи нагоре (фиг. W).
2. Използвайте предоставения мултифункционален ключ за да разхлабите и премахнете уплътняващия винт.
3. Използвайте гресъорка (не е включена) за да вкарате малко грес е отвора на винта, не надвишавайте 3/4 от капацитета.
4. Затегнете уплътняващия винт след гресирането.

## СЪХРАНЯВАНЕ НА УРЕДА

- Извадете акумулаторната батерия от кордовия тример, когато не е в употреба.
- Почистете изцяло инструмента преди да го съхраните.
- Съхранете уреда в сухо място с добра вентилация, заключен или съхраняван на високо извън достъпа на деца. Не съхранявайте уреда в близост или върху тор, бензин или други химикали.

## Опазване на околната среда



Не изхвърляйте електрическо оборудване, използвана батерия или зарядно устройство в домакинския отпадък! Отнесете продукта до упълномощена фирма за рециклиране и го предоставете за разделно събиране. Електрическите инструменти трябва да бъдат връщани в съоръжения за рециклиране съвместими с околната среда.

## ОТСТРАНЯВАНЕ НА ПРОБЛЕМИ

| ПРОБЛЕМ                                    | ПРИЧИНА  | РЕШЕНИЕ  |
|--|--|--|
| Кордовият тример не може да стартира.      | <ul style="list-style-type: none"> <li>■ Аккумуляторната батерия не е прикрепена към тримера.</li> <li>■ Няма електрически контакт между тримера и батерията.</li> <li>■ Аккумуляторната батерия е изтощена.</li> <li>■ Бутонът за отключване и спусъкът не са натиснати едновременно.</li> </ul>  | <ul style="list-style-type: none"> <li>■ Закрепете аккумуляторната батерия към тримера.</li> <li>■ Извадете батерията, проверете контактите и поставете ново аккумуляторната батерия.</li> <li>■ Заредете аккумуляторната батерия.</li> <li>■ Натиснете и задръжте бутона за отключване и след това натиснете спусъка за да включите тримера.</li> </ul>   |
| Кордовият тример спира по време на рязане. | <ul style="list-style-type: none"> <li>■ Предпазителят не е монтиран на тримера, което води до прекалено дълга режеща корда и прегряване на мотора.</li> <li>■ Използвана е тежка корда за рязане.</li> <li>■ Валът на мотора и тримерната глава са обвити в трева.</li> <li>■ Моторът е претоварен.</li> <li>■ Аккумуляторната батерия или кордовият тример са твърде горещи.</li> <li>■ Аккумуляторната батерия е разединена от инструмента.</li> <li>■ Аккумуляторната батерия е изтощена.</li> </ul> | <ul style="list-style-type: none"> <li>■ Извадете аккумуляторната батерия и монтирайте предпазителя на тримера.</li> <li>■ Използвайте препоръчана найлонова режеща корда с диаметър не повече от 2,4 мм.</li> <li>■ Спрете тримера, извадете батерията и извадете тревата от вала на мотора и тримерната глава.</li> <li>■ Извадете тримерната глава от тревата. Моторът ще се възстанови за работа веднага след като товарът бъде отстранен. Когато режете изваждайте и вкарвайте тримерната глава в тревата, която трябва да бъде отрязана и отстранявайте не повече от 20 см дължина на единично рязане.</li> <li>■ Позволете на аккумуляторната батерия или тримера да се охлади, докато температурата спадне под 67°C.</li> <li>■ Монтирайте отново аккумуляторната батерия.</li> <li>■ Заредете аккумуляторната батерия.</li> </ul> |

| ПРОБЛЕМ   | ПРИЧИНА  | РЕШЕНИЕ   |
|---|--|---|
| Главата на тримера не издърпва кордата.   | <ul style="list-style-type: none"> <li>■ Валът на мотора и тримерната глава са обвити в трева.</li> <li>■ Няма достатъчно корда на макарата.</li> <li>■ Главата на тримера е замърсена.</li> <li>■ Кордата е оплетена върху макарата.</li> <li>■ Кордата е твърде къса.</li> </ul> | <ul style="list-style-type: none"> <li>■ Спрете тримера, извадете батерията и почистете вала на мотора и тримерната глава.</li> <li>■ Отстранете батерията и подменете кордата за рязане, следвайте раздел "ПОДМЯНА НА КОРДАТА" в това ръководство.</li> <li>■ Извадете батерия и почистете главата на тримера.</li> <li>■ Извадете батерията, извадете кордата от главата на тримера и превъртете, следвайте раздел "ПРЕЗАРЕЖДАНЕ НА РЕЖЕЩАТА КОРДА" в това ръководство.</li> <li>■ Извадете батерията и издърпайте ръчно кордата, като последователно натиснете и освободите главата на тримера.</li> </ul> |
| Тревата обгръща главата на тримера и корпуса на мотора.                                   | <ul style="list-style-type: none"> <li>■ Рязане на висока трева при нивото на земята.</li> </ul>   | <ul style="list-style-type: none"> <li>■ Режете висока трева от горе на долу, като не отстранявате повече от 20 см при всяко преминаване за да предотвратите увиване.</li> </ul>  |
| Пукнатини по тримерната глава или възелът на долния капак се е разхлабил от горния капак. | <ul style="list-style-type: none"> <li>■ Главата на тримера е износена.</li> </ul>   | <ul style="list-style-type: none"> <li>■ Осигурете незабавна смяна на главата на тримера от квалифициран сервизен техник.</li> </ul>  |

## ГАРАНЦИЯ

### ГАРАНЦИОННА ПОЛИТИКА EGO

Моля, посетете уебсайта [egopowerplus.com](http://egopowerplus.com) за пълните срокове и условия по гаранционната политика на EGO.

## PROČITAJTE UPUTE U CIJELOSTI!



### PROČITAJTE PRIRUČNIK ZA RUKOVATELJE.

**⚠ UPOZORENJE:** Preostale opasnosti! Osobe s elektroničkim uređajima poput srčanih elektrostimulatora prije uporabe ovog proizvoda trebaju se posavjetovati sa svojim liječnikom. Rad električne opreme u neposrednoj blizini srčanih elektrostimulatora može prouzročiti smetnju ili kvar srčanog elektrostimulatora



Sigurnosno upozorenje



Nosite zaštitu za oči. - uvijek nosite zatvorene zaštitne naočale ili zaštitne naočale s bočnim štitnicima i štitnik za cijelo lice kada rukujete ovim proizvodom.



Nosite zaštitu za sluh. - nosite zaštitu za sluh kada koristite ovaj proizvod.



Nosite zaštitu za glavu. - radi zaštite glave nosite odobrenu sigurnosnu kacigu.



Ne postavljajte okrugle rezne noževe.



Širina - maksimalna širina rezanja šišača trave s reznom niti



Pobrinite se da druge osobe i kućni ljubimci ostanu najmanje 15 m udaljeni od šišača trave s reznom niti kada je u uporabi.



Zajamčena razina zvučne snage. Emisija buke u okruženju u skladu je sa smjericama Europske unije.



Otpadni električni proizvodi ne smiju se odlagati s otpadom iz kućanstva. Odnosite ih u ovlaštenu centar za reciklažu.

$n_0$

Brzina bez opterećenja-Brzina vrtnje u praznom hodu



Istosmjerna struja

## SIGURNOSNI SIMBOLI

**⚠ UPOZORENJE:** Rukovanje električnim alatima može rezultirati odbacivanjem stranih predmeta u oči što opet može izazvati teška oštećenja očiju. Prije početka rukovanja električnim alatom nosite zatvorene zaštitne naočale ili zaštitne naočale s bočnim štitnicima, a prema potrebi i štitnik za cijelo lice. Preporučujemo nošenje sigurnosne maske proizvođača Wide Vision preko naočala, ili nošenje standardnih zaštitnih naočala s bočnim štitnicima.



Pročitajte priručnik za rukovatelje radi smanjenja opasnosti od ozljeda.



Nosite sigurnosnu obuću. - nosite neklizajuću sigurnosnu obuću kada koristite ovu opremu.



Nosite zaštitne rukavice. - zaštitite ruke rukavicama kada rukujete nožem ili štitnikom noža.



Čuvajte se povratnog udara noža. - upozorite rukovatelja na opasnost od povratnog udara noža.



Promjer - promjer najlonske rezne niti



Odbačeni predmeti mogu odskočiti i rezultirati tjelesnim ozljedama ili materijalnom štetom. Pobrinite se da druge osobe i kućni ljubimci ostanu podalje od obrezivača grmlja kada je u uporabi.



Proizvod ne upotrebljavajte na kiši i ne ostavljajte ga na otvorenom kad pada kiša.



Ovaj proizvod je u skladu s primjenjivim smjericama EU.

V Napon

.../min U minuti

kg Kilogram

HR

## TEHNIČKI PODACI

|   |                             |  |  |
|---|-----------------------------|--|--|
|   | Glava šišača                | Trokraki nož                                   |  |
| Napon   | 56 V                        | 56 V   |  |
| Preporučena radna temperatura:  | 0°C-40°C                    |  |  |
| Preporučena temperatura skladištenja:   | -20°C-70°C                  |  |  |
| Optimalna temperatura punjenja  | 5°C-40°C                    |  |  |
| Brzina bez opterećenja  | 5000/6000 min <sup>-1</sup> | 5000/6000 min <sup>-1</sup>                    |  |
| Tip rezne niti  | 2,4mm                       | /  |  |
| Rezni nož   | /                           | ABB1203  |  |
| Širina reza   | 38 cm                       | 30cm   |  |
| Masa (bez baterijskog modula)   | 4,21Kg                      | 4,45 kg  |  |
| Izmjerena razina zvučne snage L <sub>V<sub>VA</sub></sub>                                 | 94,6 dB(A)<br>K=1,8 dB(A)   | 96,5 dB(A)<br>K=1,88 dB(A)                     |  |
| Razina zvučnog tlaka kod uha rukovatelja L <sub>PA</sub>                                  | 81,7 dB(A)<br>K=2,5 dB(A)   | 76,5 dB(A)<br>K=3 dB(A)                        |  |
| Zajamčena razina zvučne snage L <sub>V<sub>VA</sub></sub> (sukladno Direktivi 2000/14/EZ) | 96 dB(A)                    | 98 dB(A)                                       |  |
| Vibracija a <sub>h</sub>  | Prednji pomoćni rukohvat    | 3,2 m/s <sup>2</sup><br>K=1,5 m/s <sup>2</sup> | 2,8 m/s <sup>2</sup><br>K=1,6 m/s <sup>2</sup> |
|   | Stražnji rukohvat           | 2,3 m/s <sup>2</sup><br>K=1,5 m/s <sup>2</sup> | 3,1 m/s <sup>2</sup><br>K=1,6 m/s <sup>2</sup> |

- Deklarirane ukupne vrijednosti vibracija izmjerene su u skladu sa standardnom metodom ispitivanja i mogu se koristiti za usporedbu jednog alata s drugim.
- Deklarirane ukupne vrijednosti vibracija mogu se koristiti i u preliminarnoj procjeni izloženosti.

**NAPOMENA!** Emisija vibracija tijekom aktualnog korištenja električnog alata može se razlikovati od deklarirane vrijednosti u kojoj se alat upotrebljavao; Radi zaštite rukovatelja korisnik treba nositi rukavice i štitnike za uši u aktualnim uvjetima uporabe.

HR

## OPIS

### UPOZNAJTE SVOJ ŠIŠAČ S REZKOM NITI (sl. A1)

1. Granični prsten
2. Okidač

3. Stražnji rukohvat
4. Ulaz za zrak
5. Gumb za deblokadu
6. Sklopka za visoku/nisku brzinu
7. Nosač naramenice
8. Podesivi prednji pomoćni rukohvat
9. Ramena traka
10. Višefunkcijski ključ
11. Imbus ključ
12. Glava šišača trave (reza glava)
13. Rezna nit
14. Jezičac za oslobađanje
15. Nož za rezanje rezne niti
16. Štitnik
17. Mehanizam za izbacivanje
18. Električni kontakti
19. Zapor
20. Gumena zaštita
21. Gumb za oslobađanje baterije
22. Sigurnosna granična šipka (samo za glavu obrezivača grmlja)
23. Poluga za zaključavanje sigurnosne granične šipke (samo za glavu obrezivača grmlja)
24. Vanjska priрубnica (samo za glavu obrezivača grmlja)
25. Matica (samo za glavu obrezivača grmlja)
26. Vijci (samo za glavu obrezivača grmlja)

## SADRŽAJ PAKIRANJA

| NAZIV DIJELA                      | KOLIČINA |
|-----------------------------------|----------|
| Šišač s reznom niti               | 1        |
| Štitnik                           | 1        |
| Sklop prednjeg pomoćnog rukohvata | 1        |
| Imbus ključ                       | 1        |
| Višefunkcijski ključ              | 1        |
| Ramena traka                      | 1        |
| PRIRUČNIK ZA RUKOVATELJE          | 1        |
| Štap za fiksiranje                | 1        |
| Vanjska priрубnica                | 1        |
| Matica                            | 1        |
| Vijak                             | 2        |

## SASTAVLJANJE

### POSTAVLJANJE ŠTITNIKA

- Otpustite i uklonite dva vijka sa štitnika (sl. B).
- Poravnajte otvore za postavljanje štitnika s otvorima za postavljanje i zatim pričvrstite štitnik na postolje osovine pomoću dva vijka i dvije opružne podloške (sl. C).

**NAPOMENA:** Uvjerite se da je štitnik pričvršćen u skladu sa slikama B i C jer ćete u suprotnom biti u velikoj opasnosti!

### POSTAVLJANJE I PODEŠAVANJE PREDNJEG POMOĆNOG RUKOHVATA

- Otpustite štap za fiksiranje na prednjem pomoćnom rukohvatu i uklonite štap za fiksiranje i krilnu maticu s prednjeg pomoćnog rukohvata (sl. D).

**NAPOMENA:** Kada se na alatu nalazi glava obrezača grmlja, pomoću dva vijka postavite sklop sigurnosne granične šipke na pomoćnu ručku.

**NAPOMENA:** Postoje dvije vrste štapa za fiksiranje, kraći se koristi za glavu šišača. Duži se koristi za glavu obrezača grmlja. Pažljivo odaberite odgovarajući štap za fiksiranje prilikom korištenja alata.

|     |                          |     |   |
|-----|--------------------------|-----|---|
| D-1 | Prednji pomoćni rukohvat | D-4 | Sigurnosna granična šipka (samo za glavu obrezača grmlja) |
| D-2 | Stezni blok              | D-5 | Štap za fiksiranje  |
| D-3 | Krilna matica            |     |   |

- Gurnite prednji pomoćni rukohvat na prednju stranu graničnog prstena na vratilu. Ne postavljajte ga između graničnog prstena i područja stražnjeg rukohvata (sl. E).
- Ubacite stezni blok u utor za dršku (Sl. F).
- Montirajte štap za fiksiranje i stegnite ga krilnom maticom. Pazite da prednji rukohvat bude gore i okrenut prema gornjem dijelu stražnje drške (sl. G).
- Prednji pomoćni rukohvat namjestite između graničnog prstena i naljepnice tako da Vaša prednja ruka bude ispružena tijekom rada (sl. H).
- Fiksirajte polugu na štapu za fiksiranje. (sl. I).

**⚠ UPOZORENJE!** Alat se ne smije upotrebljavati ako prednji pomoćni rukohvat nije dobro pričvršćen.

### POSTAVLJANJE RAMENE TRAKE

Pritisnite kuku za traku kako biste je oslobodili i pričvrstite je na nosač ramene trake (sl. J).

## RAD

**⚠ UPOZORENJE!** Uvijek nosite zatvorene zaštitne naočale ili zaštitne naočale s bočnim štitnicima, zajedno sa zaštitom za sluh. Nepostupanje u skladu s tim može rezultirati odbacivanjem predmeta u oči i drugim mogućim teškim ozljedama.

Proizvod možete koristiti za svrhe navedene u nastavku:

**Šišanje:** koristi se za uklanjanje trave i korova oko zidova, ograda, stabala i pregrada.

**Košnja:** koristi se za košenje trave koju je teško dohvatiti uobičajenom kosilicom.

**OBAVIJEST:** Alat se smije upotrebljavati samo za prethodno opisanu namjenu. Svaka druga uporaba, kao što je primjerice rubno šišanje, smatra se nepropisnom uporabom.

### POSTAVLJANJE I SKIDANJE BATERIJSKOG MODULA

Upotrebljavajte samo s baterijskim modulima i punjačima koji su navedeni na sl. A2.

**Baterijski modul napunite u potpunosti prije prve uporabe.**

#### Postavljanje

Poravnajte izbočenja baterije s montažnim utorima i utiskujte baterijski modul prema dolje dok ne začujete klik (sl. K).

#### Skidanje

Pritisnite gumb za oslobađanje baterije i izvucite baterijski modul kako je prikazano na sl. L.

|     |                              |
|-----|------------------------------|
| L-1 | Gumb za oslobađanje baterije |
|-----|------------------------------|

#### DRŽANJE ŠIŠAČA S NITI

Za siguran i bolji rad nosite traku za rame preko ramena kako je prikazano na slici N. Podesite traku za rame u udoban radni položaj. Držite šišač s niti čvrsto objema rukama: Jednu ruku držite na stražnjem rukohvatu, a drugu ruku na prednjem pomoćnom rukohvatu.

**OBAVIJEST:** Glava šišača treba biti paralelna s tlom na odgovarajućoj reznjoj udaljenosti, a da se rukovatelj ne treba saginjati (sl. N).

Postoje dva načina za oslobađanje trake. Skinite je izravno s ramena (sl. O) ili pritisnite kukicu trake i odvojite je od nosača ramene trake pričvršćenog na vratilu (sl. P).

**⚠ UPOZORENJE:** Ramena traka je i mehanizam za

brzo oslobađanje u opasnim situacijama. U slučaju nužde ramenu traku odmah skinite s ramena, bez obzira na koji način traka postavljena.

## POKRETANJE/ZAUSTAVLJANJE ŠIŠAČA S NITI (sl. M)

### Pokretanje

Pritisnite ručicu za otključavanje i zatim pritisnite okidač. Različit pritisak na okidač rezultira različitim brzinama rotacije rezne niti. Što se jače pritišće, brzina će biti veća.

### Zaustavljanje

Otpustite okidač.

**OBAVIJEST:** Motor radi samo kad se pritisnu gumb za deblokadu i okidač.

### Funkcija podešavanja brzine (sl. M)

Šišač s reznom niti ima dvije brzine. Položaj "1" služi za spore brzine dok položaj "2" služi za visoke brzine.

|     |                                |
|-----|--------------------------------|
| M-1 | Sklopka za visoku/nisku brzinu |
| M-2 | Gumb za deblokadu              |
| M-3 | Okidač                         |

## UPORABA ŠIŠAČA S REZONOM NITI

Prije svake uporabe očistite radno područje. Uklonite sve predmete poput kamenja, razbijenog stakla, čavala, žica ili niti koje stroj može odbaciti ili koji se mogu zaplesti u rezni priključak. Iz područja udaljite djecu, promatrače i kućne ljubimce. Djecu, promatrače i kućne ljubimce udaljite najmanje 15 m; čak i tada postoji opasnost od odbačenih predmeta za promatrače. Promatrače potaknite da nose zaštitu za oči. Ako vam netko prilazi, odmah zaustavite motor i rezni priključak.

### Prije svake uporabe provjerite da nema oštećenih/istrošenih dijelova

Provjerite glavu šišača trave, štitnik i prednji pomoćni rukohvat i zamijenite dijelove koji su napukli, deformirani, svinuti ili oštećeni na bilo koji način.

Nož za rezanje rezne niti na rubu štitnika vremenom može otupjeti. Preporučujemo povremeno oštrenje noža turpijom ili zamjenu noža novim.

### Šišač s reznom niti očistite nakon svake uporabe.

### PODEŠAVANJE DULJINE REZNE NITI

Glava šišača trave rukovatelju omogućuje otpuštanje više rezne žinje bez zaustavljanja motora. Ako se rezna nit pohaba ili istroši, laganim doticanjem glave šišača trave o tlo tijekom rukovanja šišačem trave moguće je otpustiti

više niti (sl. Q).

**OBAVIJEST:** Otpuštanje niti postaje teže kako se rezna nit skraćuje.

**UPOZORENJE:** Ne uklanjajte sklop rezne oštrice i ne obavljajte preinake na njemu. Prekomjerna duljina niti prouzročit će pregrijavanje motora što može rezultirati teškim tjelesnim ozljedama.

### ZAMJENA REZNE NITI

**OBAVIJEST:** Koristite preporučenu najlonsku reznu nit promjera ne većeg od 2,4 mm. Upotreba nepreporučenih reznih niti može prouzročiti pregrijavanje ili oštećenje šišača trave.

**UPOZORENJE:** Nikada nemojte koristiti metalom ojačane žinje, žice ili užad i sl. Mogu se odlomiti i postati opasni projektili.

1. Uklonite baterijski modul.
2. Ako je potrebno, uklonite preostalu reznu nit.
3. Odrežite reznu nit na duljinu 4 m. Umetnite reznu nit u montažnu rupu u ušici (sl. R). Provucite reznu nit i povlačite je s druge strane dok rezna nit ne bude iste duljine s obje strane koluta.
4. Pritisnite dok sklop donjeg poklopca okrećete u smjeru strelce kako biste reznu nit namotali na kalem tako da sa svake strane ostane oko 14 cm rezne niti (sl. S).
5. Gurnite sklop donjeg poklopca prema dolje pritom povlačeći reznu nit kako biste je ručno pomakli prema naprijed i provjerili ispravnu montažu glave šišača trave.

Ako se rezna nit otkine od izlaza niti ili ako se rezna nit ne otpušta lupkanjem glave šišača, učinite sljedeće:

1. Pritisnite jezičce za otpuštanje na gornjem poklopcu i uklonite sklop donjeg poklopca povlačeći ga ravno van (sl. T i U).
2. Uklonite reznu nit s kalema.
3. Jednom rukom držite sklop donjeg poklopca, drugom rukom uzmite sklop donjeg poklopca i poravnajte jezičce na gornjem poklopcu s rupama u sklopu donjeg poklopca (sl. V); dlanom pritišćite sklop donjeg poklopca dok jezičci ne ulegnu u gornji poklopac.
4. Za ponovno namotavanje rezne niti slijedite upute u poglavlju "ZAMJENA REZNE NITI".

### ZAMJENA TROKRAKOG NOŽA

1. Uklonite sklop donjeg poklopca kako je prikazano na sl. T i U
2. Umetnite stabilizator i olabavite maticu pomoću



udamog ključa kao na sl. X1 i X2.

3. Uklonite sve dijelove osim unutarnje prirubnice i matice (sl. X3), montirajte nož na vratilo motora kako je prikazano na sl. X4.
4. Pritegnite nož kao na sl. X5.

## ODRŽAVANJE

**⚠ UPOZORENJE:** Pri servisiranju koristite samo identične zamjenske dijelove. Redovito obavljajte pregleda i održavajte stroj. Radi sigurnosti i pouzdanosti sve popravke treba obavljati kvalificirani servisni tehničar.

**⚠ UPOZORENJE:** Radi sprečavanja teških tjelesnih ozljeda, prije servisiranja, čišćenja, promjene priključaka ili uklanjanja materijala iz uređaja izvadite komplet baterija iz alata.

**⚠ OPREZ!** Prepreke u ventilacijskim otvorima sprječavaju da zrak struji u kućište motora što uzrokuje pregrijavanje ili oštećenje motora.

## ČIŠĆENJE UREĐAJA

- Jedinicu očistite vlažnom krpom i blagim deterdžentom. Nemojte dopustiti da tekućina uđe u alat; Ne uranjajte nijedan dio alata u tekućinu.
- Za čišćenje plastičnog kućišta ili rukohvata ne koristite jake deterdžente jer mogu ih oštetiti neka aromatična ulja, kao što su borovo i limunovo ulje i otapala kao što je kerozin. Vлага može izazvati opasnost od strujnog udara. Vlažna mjesta obrišite mekanom suhom krpom.
- Za čišćenje ventilacijskih otvora na stražnjem kućištu koristite malu četku ili mali usisavač.
- Održavajte ventilacijske otvore kućišta motora u svakom trenutku bez nečistoća.

## PODMAZIVANJE PRIJENOSNIKA

Prijenosnike u kućištu potrebno je povremeno podmazivati mašću za prijenosnike. Razinu masti u kućištu prijenosnika provjeravajte svakih 50 radnih sati uklanjanjem brtvenog vijka na strani kućišta.

Ako se na bočnim stranama prijenosnika ne vidi mast, za punjenje s mašću za prijenosnike do 3/4 zapremine slijedite korake u nastavku. Prijenosnik nemojte puniti u cijelosti.

1. Držite šišač trave na njegovoj bočnoj strani tako da brtveni vijak bude usmjeren prema gore (sl. W).
2. Za otpuštanje i uklanjanje brtvenog vijka koristite isporučeni višefunkcijski ključ.
3. Za ubrizgavanje masti kroz otvor vijka koristite brizgaljku za mast (nije u sadržaju isporuke); ne

prekoračujte 3/4 zapremine.

4. Brtveni vijak pritegnite nakon ubrizgavanja.

## SKLADIŠTENJE JEDINICE

- Ako ga ne koristite, uklonite bateriju iz šišača.
- Prije skladištenja temeljito očistite alat.
- Jedinicu skladištite na suhom, dobro prozračenom mjestu koje je moguće zaključati ili koje je na visini izvan dohvata djece. Uređaj nemojte pohranjivati na gnjojivima, benzinu ili drugim kemikalijama.

## Zaštita okoliša



Električnu opremu, iskorištenu bateriju i punjač ne odlažite u otpad iz kućanstva! Ovaj proizvod odnesite u ovlaštenu centar za reciklažu i time omogućite odvojeno sakupljanje. Električne alate potrebno je vratiti u ekološki prihvatljiv pogon za reciklažu.

## OTKLANJANJE SMETNJI

| PROBLEM  | UZROK   | RJEŠENJE   |
|--|---|--|
| Šišač trave s reznom niti ne pokreće se.                 | <ul style="list-style-type: none"> <li>■ Baterijski modul nije priključen na šišač.</li> <li>■ Nema električnog kontakta između šišača i baterije.</li> <li>■ Baterijski modul je ispražnjen.</li> <li>■ Gumb za deblokadu i okidač ne pritišću se istodobno.</li> </ul>  | <ul style="list-style-type: none"> <li>■ Postavite baterijski modul na šišač.</li> <li>■ Izvadite bateriju, provjerite kontakte i ponovno stavite baterijski modul.</li> <li>■ Napunite baterijski modul.</li> <li>■ Pritisnite gumb za deblokadu i držite ga pritisnutom, a zatim pritisnite okidač kako biste uključili šišač trave s reznom niti.</li> </ul>  |
| Šišač trave s reznom niti zaustavlja se tijekom rezanja. | <ul style="list-style-type: none"> <li>■ Štitnik nije postavljen na šišač trave, što rezultira predugačkom reznom niti i preopterećenjem motora.</li> <li>■ Koristi se debela rezna nit.</li> <li>■ Vratilo motora ili glavu šišača trave blokira trava.</li> <li>■ Motor je preopterećen.</li> <li>■ Baterijski modul ili šišač trave s reznom niti previše je vruć.</li> <li>■ Komplet baterija odspojen je od alata.</li> <li>■ Baterijski modul je ispražnjen.</li> </ul> | <ul style="list-style-type: none"> <li>■ Uklonite baterijski modul i na šišač trave postavite štitnik.</li> <li>■ Koristite preporučenu najlonsku reznu nit promjera ne većeg od 2,4 mm.</li> <li>■ Zaustavite šišač trave, izvadite bateriju i očistite travu s vratila motora i glave šišača trave.</li> <li>■ Uklonite glavu šišača s trave. Motor će se oporaviti i biti spreman za rad čim se ukloni opterećenje. Glavu šišača prilikom šišanja pomičite u travu i iz trave i jednim rezom ne uklanjajte više od 20 cm duljine.</li> <li>■ Pričekajte da se baterijski modul ili šišač ohladi na temperaturu ispod 67 °C.</li> <li>■ Ponovno stavite komplet baterija.</li> <li>■ Napunite baterijski modul.</li> </ul> |
| Glava šišača ne izvlači reznu nit.                       | <ul style="list-style-type: none"> <li>■ Vratilo motora ili glavu šišača trave blokira trava.</li> <li>■ Na kalemu nema dovoljno rezne niti.</li> <li>■ Glava šišača trave je zaprišana.</li> <li>■ Nit se zapetljala na kalem.</li> <li>■ Rezna nit je prekratka.</li> </ul>   | <ul style="list-style-type: none"> <li>■ Zaustavite šišač trave, izvadite bateriju i očistite vratilo motora i glavu šišača trave.</li> <li>■ Izvadite bateriju i zamijenite reznu nit; slijedite upute u poglavlju "ZAMJENA REZNE NITI" u ovom priručniku.</li> <li>■ Izvadite bateriju i očistite glavu šišača.</li> <li>■ Izvadite bateriju, uklonite reznu nit s glave šišača i ponovno je namotajte; slijedite upute u poglavlju "ZAMJENA REZNE NITI" u ovom priručniku.</li> <li>■ Uklonite bateriju i ručno povucite rezne niti dok izmjenično pritišćete i otpuštate glavu šišača trave.</li> </ul>  |

| PROBLEM  | UZROK   | RJEŠENJE   |
|--|---|--|
| Trava se omotava oko glave šišača trave i kućišta motora.  | <ul style="list-style-type: none"><li>■ Rezanje visoke trave u razini tla</li></ul> | <ul style="list-style-type: none"><li>■ Visoku travu režite odozgo prema dolje i pritom ne režite više od 20 cm u svakom prolazu kako biste izbjegli omotavanje.</li></ul> |
| Na glavi šišača trave postoje pukotine ili se sklop donjeg poklopca otpustio s gornjeg poklopca. | <ul style="list-style-type: none"><li>■ Glava šišača trave istrošena je.</li></ul>  | <ul style="list-style-type: none"><li>■ Neposrednu zamjenu glave šišača trave prepustite kvalificiranom servisnom tehničaru.</li></ul>                                     |

## JAMSTVO

### JAMSTVENA POLITIKA PROIZVOĐAČA EGO

Za cjelokupne uvjete jamstvene politike proizvođača EGO posjetite internetsku stranicu [egopowerplus.com](http://egopowerplus.com).

## სრულად გაცნით ინსტრუქციას!



**გაცნით მომხმარებლის ინსტრუქციას**

**⚠ გაფრთხილება:** არსებული რისკი! პიროვნებებმა ისეთი ელექტრული მოწყობილობებით, როგორცაა იმპლანტირებული დეფიბრილატორი, უნდა მიმართონ პირად ექიმს რჩევისთვის ამ პროდუქტის გამოყენებამდე. იმპლანტირებულ დეფიბრილატორთან უშუალო სიახლოვეს ელექტრული მოწყობილობის ოპერირებამ შესაძლოა დეფიბრილატორს ხელი შეუშალოს მუშაობაში ან გათიშოს იგი.



**უსაფრთხოების ნიშანი**



გაიკეთეთ თვალების დამცავი - ყოველთვის მორგეთ უსაფრთხოების თვალსაფარი ან გვერდითა ეკრანების მქონე უსაფრთხოების სათვალე და მთლიანი სახის ეკრანი ხელსაწყობის სარგებლობისას.



გაიკეთეთ ყურების დამცავი - ყოველთვის გაიკეთეთ ყურების დამცავი ხელსაწყობის სარგებლობისას.



გაიკეთეთ თავის დამცავი საშუალება - გამოიყენეთ აპრობირებული მყარი ჩაფხუტი, რათა დაიცვათ თავის არე.



არ დაუყენოთ მრგვალი ფორმის საჭრელი დანები.



სიგანე - ელექტრული სათიბის მაქსიმალური თიბვის სიგანე



დარწმუნდით რომ სხვა ადამიანები ან შინაური ცხოველები იმყოფებიან მინიმუმ 15 მ მოშორებით ელექტრო მთიბავით სარგებლობისას.



გარანტირებული ხმის სიმძლავრის დონე. გარემოში ხმაურის გავრცელების დონე ევროკავშირის რეგულაციების შესატყვისია.



ელექტრული ხელსაწყობის უტილიზაცია არ უნდა მოხდეს საყოფაცხოვრებო ნარჩენებთან ერთად. წაიღეთ ხელსაწყობა ავტორიზებულ ნარჩენების გადამამუშავებელთან.

n<sub>0</sub>

დაუტვირთავი სიჩქარე- დაუტვირთავი ბრუნვის სიჩქარე



მუდმივი დენი

## უსაფრთხოების წესის სიმბოლოები

**⚠ გაფრთხილება:** ელექტრული ხელსაწყოს გამოყენებისას შესაძლოა უცხო სხეულის თვალის მიდამოში მოხვედრა, რამაც შესაძლოა გამოიწვიოს თვალის მნიშვნელოვანი დაზიანება. ელექტრული ხელსაწყოს გამოყენებამდე აუცილებლად მორგეთ უსაფრთხოების თვალსაფარი ან სათვალე მყარი თვალის დამცავებით და მთლიანი სახის ეკრანით. ჩვენ რეკომენდაციას ვუწვევთ ფართო ხედვის არის მქონე უსაფრთხოების ნიღაბს სათვალეებთან ერთად ან სტანდარტულ გვერდითა ეკრანების მქონე უსაფრთხოების სათვალეებს.



დაზიანების რისკის შესამცირებლად მომხმარებელმა უნდა წაიკითხოს ხელსაწყოს მუშაობის ინსტრუქცია.



ჩაიცვით უსაფრთხოების დამცავი ფეხსაცმელი - ჩაიცვით მოცურების საწინააღმდეგო ფეხსაცმელი ხელსაწყოს გამოყენებისას.



ჩაიცვით დამცავი ხელთათმანები - დაიცვით თქვენი ხელები ხელთათმანებით, როდესაც ეხებით დანას ან დანის დამცავ ეკრანს.



მოერიდეთ დანის ბიძგს - გაფრთხილეთ მომხმარებელი დანის ბიძგის საფრთხის შესახებ.



დიამეტრი - მთიბავი ნეილონის ძუის დიამეტრი



შესაძლოა გამოტყორცნილი სხეულების რიკოშტორება და ამით პირადი ან ქონებრივი ზიანის მიყენება. დარწმუნდით რომ სხვა ადამიანები ან შინაური ცხოველები იმყოფებიან ბურჯის საკრეჭიდან მოშორებით ხელსაწყობის სარგებლობისას.



არ გამოიყენოთ წვიმაში ან დატოვოთ გარეთ წვიმის დროს.



ხელსაწყობა შეესაბამება ევროკავშირის მიერ წამოყენებულ რეგულაციებს.

V ძაბვა

.../min წუთში

kg კილოგრამი

KA

## სპეციფიკაციები

|   |                            |  |  |
|---|----------------------------|--|--|
|   | სათიბი თავაკი              | 3-კბილანიანი დანა                                |  |
| მაზვა   | 56 ვოლტი<br>☐☐☐            | 56 ვოლტი ☐☐☐                                     |  |
| რეკომენდირებული საექსპლუატაციო ტემპერატურა:   | 0°C-40°C                   |  |  |
| რეკომენდირებული დასაწყობების ტემპერატურა:   | -20°C-70°C                 |  |  |
| ოპტიმალური დამუხტვის ტემპერატურა  | 5°C-40°C                   |  |  |
| დაუტვირთავი სიჩქარე   | 5000/6000 ბრ/წთ            | 5000/6000 ბრ/წთ                                  |  |
| მთიბავი მუის ტიპი   | 2.4 მმ                     |  |  |
| საჭრელი დანა  | /                          | ABB1203  |  |
| თიბვის სიგანე   | 38 სმ                      |  |  |
| წონა (აკუმულატორის გარეშე)  | 4.21 კგ                    | 4.45 კგ  |  |
| გაზომილი ხმის სიმძლავრის დონე $L_{WA}$  | 94.6 dB(A)<br>K=1.8 dB(A)  | 96.5 dB(A)<br>K=1.88 dB(A)                       |  |
| ბგერის წნევის დონე მომხმარებლის ყურზე $L_{PA}$  | 81.7 dB(A)<br>K=2.5 dB(A)  | 76.5 dB(A)<br>K=3 dB(A)                          |  |
| გარანტირებული ხმის სიმძლავრის დონე $L_{WA}$ (გაზომილი 2000/14/EC რეგულაციის მიხედვით) | 96 dB(A)                   | 98 dB(A)   |  |
| ვიბრაცია $a_h$  | რეგულირებადი წინა სახელური | 3.2 მ/წმ <sup>2</sup><br>K=1.5 მ/წმ <sup>2</sup> | 2.8 მ/წმ <sup>2</sup><br>K=1.6 მ/წმ <sup>2</sup> |
|   | უკანა სახელური             | 2.3 მ/წმ <sup>2</sup><br>K=1.5 მ/წმ <sup>2</sup> | 3.1 მ/წმ <sup>2</sup><br>K=1.6 მ/წმ <sup>2</sup> |

- მითითებული ვიბრაციის სრული მნიშვნელობა გაზომილია სტანდარტული ტესტირების მეთოდით და შესაძლოა გამოყენებულ იქნას ერთი ხელსაწყოს მეორესთან შედარებისას.
- მითითებული ვიბრაციის სრული მნიშვნელობა ასევე შესაძლოა გამოყენებულ იქნას ზემოქმედების პირველადი შეფასებისას.

**შენიშვნა:** ელექტრული ხელსაწყოს ვიბრაციის ემისია გამოყენებისას შესაძლოა

განსხვავდებოდეს მითითებული ოდენობისგან; მომხმარებელმა ხელსაწყოთი სარგებლობისას საჭიროა გამოიყენოს ხელთათმანები და ყურის დამცავი საშუალებები.

## აღწერა

### შეისწავლეთ თქვენი ელექტრო სათიბი (ნახ. A1)

1. გასამიჯნი რგოლი
2. ტრიგერი
3. უკანა სახელური
4. ჰაერის ჰავლის შესავალი
5. ჩამკეტი დილაკი
6. მაღალი/დაბალი სიჩქარის გადამრთველი
7. მხარზე ჩამოსაკიდი ღვედის სამაგრი
8. რეგულირებადი წინა სახელური
9. მხარზე ჩამოსაკიდი ღვედი
10. მრავალფუნქციური ქანჩის გასაღები
11. ქანჩის გასაღები
12. სათიბის თავაკი
13. სათიბი მუა
14. გამშვები დილაკი
15. სათიბის დანა
16. დამცავი ეკრანი
17. ამოგდების მექანიზმი
18. ელექტრული კონტაქტები
19. ჩამკეტი
20. დამცავი რეზინის შუასაღები
21. აკუმულატორის მოხსნის დილაკი
22. უსაფრთხოების ბარიერის ძელი (მხოლოდ ბუჩქის საკრეჭის თავაკისთვის)
23. უსაფრთხოების ბარიერის ძელის ჩამკეტი (მხოლოდ ბუჩქის საკრეჭის თავაკისთვის)
24. გარეთა შვერილი (მხოლოდ ბუჩქის საკრეჭის თავაკისთვის)
25. ქანჩი (მხოლოდ ბუჩქის საკრეჭის თავაკისთვის)
26. ქანჩი (მხოლოდ ბუჩქის საკრეჭის თავაკისთვის)

## შეფუთვის ჩამონათვალი

| ნაწილის დასახელება              | რაოდენობა |
|---------------------------------|-----------|
| ელექტრო სათიბი                  | 1         |
| დამცავი ეკრანი                  | 1         |
| სახელურის კომპლექტი             | 1         |
| ქანჩის გასაღები                 | 1         |
| მრავალფუნქციური ქანჩის გასაღები | 1         |

KA

|                         |   |
|-------------------------|---|
| მხარზე ჩამოსაკიდი ღვედი | 1 |
| მომხმარებლის ინსტრუქცია | 1 |
| ჩამკეტი                 | 1 |
| გარეთა შვერილი          | 1 |
| ქანჩი                   | 1 |
| ხრახნი                  | 2 |

## ანგობა

### დამცავი ეკრანის დამონტაჟება

1. მოუშვით და მოხსენით ორი ხრახნი დამცავ ეკრანს (ნახ. B).
2. გაუსწორეთ დამცავი ეკრანის ნასვრეტები ხრახნების ბუდეებს და მჭიდროდ დაამაგრეთ ეკრანი სახეულზე ორი ხრახნის და შუასადების საშუალებით (ნახ. C).

**შენიშვნა:** დარწმუნდით რომ დამცავი ეკრანი დამაგრებულია, როგორც ნაჩვენებია ნახ. B და C-ზე, ნებისმიერი სხვაგვარი დამაგრება არის სახიფათო!

### წინა სახეელურის დამაგრება და გასწორება

1. მოუშვით წინა სახეელურზე მდებარე ჩამკეტი ძელი და მოხსენით ძელი და ფრთიანი ქანჩი სახეელურს (ნახ. D).

**შენიშვნა:** დაამონტაჟეთ უსაფრთხოების ბარიერის ძელის კომპლექტი ჩარჩოსებრ სახეელურზე ორი ხრახნით როდესაც ხელსაწყოზე მორგებულია ბუჩქის საკრეჭი თავაკი.

**შენიშვნა:** კომპლექტში ორი ჩამკეტია, შედარებით მოკლე სათიბი თავაკისთვისაა განკუთვნილი. შედარებით გრძელი ჩამკეტი ბუჩქის საკრეჭის თავაკზეა გამოსაყენებელი. გამოიჩინეთ ყურადღება ძელისთვის სწორი ჩამკეტის შერჩევას.

|     |                             |     |   |
|-----|-----------------------------|-----|---|
| D-1 | რეგულირებადი წინა სახეელური | D-4 | უსაფრთხოების ბარიერის ძელი (მხოლოდ ბუჩქის საკრეჭის თავაკისთვის) |
| D-2 | დამჭერი ბლოკი               | D-5 | ჩამკეტი   |
| D-3 | ფრთიანი ქანჩი               |     |   |

2. ჩასვით წინა სახეელური ტარზე გასამიჯნი

რგოლის წინ. არასოდეს მოათავსოთ ის გასამიჯნი რგოლს და უკანა სახეელურს შორის არსებულ სივრცეში (ნახ. E).

3. ჩასვით დამჭერი ბლოკი სახეელურის ნასვრეტში (ნახ. F).
4. დაამაგრეთ ჩამკეტი ძელი და დაუჭირეთ ფრთიანი ქანჩის საშუალებით. დარწმუნდით რომ წინა სახეელური არის მოტრიალებული ზედა მხარეს და დამიზნებულია უკანა სახეელურის ზევითა ნაწილისკენ (ნახ. G).
5. გასწორეთ წინა სახეელურის მდებარეობა გასამიჯნი რგოლს და ეტიკეტს შორის, რათა დარწმუნდით რომ მკლავი არის სწორ მდგომარეობაში ხელსაწყოთი სარგებლობისას (ნახ. H).
6. დაამაგრეთ ჩამკეტი ძელის ბერკეტი. (ნახ. I).

**▲ გაფრთხილება:** ხელსაწყოს გამოყენება დაუშვებელია რეგულირებადი წინა სახეელურის მჭიდროდ დამაგრების გარეშე.

### მხარზე ჩამოსაკიდი ღვედის დამაგრება

დააჭირეთ ხელი ღვედის კაუქსს და ჩამოაგვით მხარზე ჩამოსაკიდი ღვედის სამაგარს (ნახ. J).

## ექსპლუატაცია

**▲ გაფრთხილება:** ყოველთვის მოირგეთ უსაფრთხოების თვალსაფარი ან გვერდითა ეკრანების მქონე უსაფრთხოების სავთვალე, სმენის დამცავი საშუალებასთან ერთად. ამ ინსტრუქციის უგულებელყოფამ შესაძლოა გამოიწვიოს სხვადასხვა სხეულის თვალში მოხვედრა და სხვა შესაძლო სერიოზული ზიანი.

თქვენ შეგიძლიათ გამოიყენოთ ხელსაწყო ქვემოთ ჩამოთვლილი მიზნებისთვის:

**გაკრეჭა:** გამოიყენება ბალახის და სარეველას მოსაცილებლად კედლის, ღობის, ხის და საზღვრების გასწვრივ.

**მოთიბვა:** გამოიყენება ისეთი ბალახის მოსათიბად, რომელიც რთულადაა მისადგომი ჩვეულებრივი სათიბი მანქანისთვის.

**შენიშვნა:** ხელსაწყოს გამოყენება

შესაძლებელია მხოლოდ დანიშნულებისამებრ. სხვა ნებისმიერი სარგებლობა, მაგალითად ბუჩქის გაკრეჭა, ჩართვება როგორც არამიზნობრივი გამოყენების შემთხვევა.

**აკუმულატორის ჩამაგრება/მოხსნა**

გამოიყენეთ მხოლოდ ის აკუმულატორის ბლოკები და დამტენები, რომლებიც მითითებულია სურ. A2-ში

**სრულად დატენით პირველ ჯერზე სარგებლობამდე.**

**ჩამაგრებისთვის**

გაუსწორეთ აკუმულატორის სამაგრები ბუდის ნასვრეტებს და დააწეით აკუმულატორს, სანამ არ გაიგებთ „წკაპ“ ხმას (ნახ. K).

**მოხსნისთვის**

დააჭირეთ აკუმულატორის გამშვებ ღილაკს და ამოიღეთ აკუმულატორი როგორც ნაჩვენებია ნახ. L-ზე.

|     |                             |
|-----|-----------------------------|
| L-1 | აკუმულატორის მოხსნის ღილაკი |
|-----|-----------------------------|

**ელექტრო სათიბის ჯერის წესი**

უსაფრთხო და უკეთესი მოხმარებისთვის, გადაიკიდეთ ჩამოსაკიდი ღვედი მხარზე როგორც ნაჩვენებია ნახ. N. დაარეგულირეთ ღვედი კომფორტული სამუშაო პოზიციისთვის. მჭიდროდ დაიჭირეთ ელექტრო სათიბი ორივე ხელით. მოათავსეთ ერთი ხელი უკანა სახელურზე, ხოლო მეორე ხელი - წინა სახელურზე.

**შენიშვნა:** სათიბი თავაკი უნდა იყოს მიწის ზედაპირის პარალელური სათანადო მანძილზე დაშორებით, მომხმარებლის გადახრის გარეშე (ნახ. N).

ღვედის შეხსნის ორი გზა არსებობს: პირდაპირ მოიხსნით იგი მხრებიდან (ნახ. O) ან დააჭირეთ ხელი ღვედის კაუჩს და მოხსნით იგი ხელსაწყოს ტარზე მოთავსებულ სამაგრს (ნახ. P).

**▲ გაფრთხილება:** მხრის ღვედი ასევე წარმოადგენს ხელსაწყოს სწრაფად მოხსნის საშუალებას სახიფათო სიატუაციაში. როდესაც ხდება გაუთვალისწინებელი შემთხვევა, მაშინვე მოიხსნით ღვედი

მხრიდან, მიუხედავდ იმისა თუ რომელ მხარზე მდებარეობს იგი.

**ელექტრო სათიბის ჩართვა/გამორთვა (ნახ. M) ჩასართავად**

დააწეით ჩამკეტ ბერკეტს, შემდეგ დააჭირეთ თითო ტრიგერს. ტრიგერზე დაწოლის სიძლიერე განსაზღვრავს სათიბი ძუის ბრუნვის სიჩქარეს. მეტი დაწოლა ნიშნავს მაღალ სიჩქარეს.

**გამოსართველად**

ხელი გაუშვით ტრიგერს.

**შენიშვნა:** მობტორი მუშაობს მხოლოდ მაშინ, როცა ორივე, ჩამკეტი ღილაკი და ტრიგერი დაჭერილ მდგომარეობაშია.

**სიჩქარის რეგულირების ფუნქცია (ნახ. M)**

ელექტრო სათიბს აქვს ორი სიჩქარის რეჟიმი. პოზიცია „1“ არის დაბალი სიჩქარისთვის და პოზიცია „2“ - მაღალი სიჩქარისთვის.

|     |                                    |
|-----|------------------------------------|
| M-1 | მაღალი/დაბალი სიჩქარის გადამრთველი |
| M-2 | ჩამკეტი ღილაკი                     |
| M-3 | ტრიგერი                            |

**ელექტრო სათიბის გამოყენების წესი**

გასუფთავეთ გასათიბი არე მუშაობის დაწყებამდე. მოაცილეთ ყველა ობიექტი როგორცაა ქვები, დამტვერული მინა, ლურსმანი, სადენი ან ზაწარი, რომელიც შესაძლოა ჩაყვას ან დაეხვიოს ხელსაწყოს მთიბავ ნაწილს. მოარიდეთ სამუშაო ადგილს ზვეშეები, სხვა პირები და შინაური ცხოველები. დარწმუნდით რომ ზვეშეები, სხვა ადამიანები ან შინაური ცხოველები იმყოფებიან მინიმუმ 15 მ მოშორებით; არსებობს რისკი რომ უცხო სხეულები მაღალი სიჩქარით გვერდზე მდგომი პირებისკენ გაიტყორცნონ. გვერდზე მდგარი პირებისთვის რეკომენდირებულია თვალის დამცავი საშუალებების გამოყენება. თუ თქვენ სხვა პიროვნება მოგიახლოვდათ, დაუყოვნებლივ გააჩერეთ მობტორი და სათიბი მოწყობილობა.

**ყოველი გამოყენების წინ შეამოწმეთ ნაწილები დაზიანებაზე/ცვეთაზე**

KA



შემოწმეთ სათიბის თავაკი, დამცავი ეკრანი და რეგულირებადი წინა სახელური, შეცვალეთ ნაწილები, რომლებიც გაზზარულია, გაღუნულია, აქვს შეცვლილი ფორმა ან დაზიანებულია სხვაგვარად.

დამცავ ეკრანის კიდესთან მდებარე მთიბავის დანა შესაძლოა დაჩლუნგდეს დროთა განმავლობაში რეკომენდირებულია მისი გაღესვა პერიოდულად ქლიბის საშუალებით ან ახალი დანის დამონტაჟება.

### ყოველი გამოყენების შემდეგ გაასუფთავეთ სათიბი.

#### სათიბი ძუის სიგრძის ცვლილება

სათიბის თავაკი აძლევს მომხმარებელს საშუალებას გაზზარდოს სათიბის ძუის სიგრძე მოტორის გაუჭერებლად. როდესაც ძუა იცვითება და წყდება, დამატებითი ძუის სიგრძის გამოშვება შესაძლებელია სათიბის თავაკის მიწაზე რბილი დარტყმით ხელსაწყოთი სარგებლობისას (ნახ. Q).

**შენიშვნა:** ძუის გამოშვება მით უფრო გართულდება, რაც ხვიაზე მისი სიგრძე მოკლდება.

**▲ გაფრთხილება:** არ მოხსნათ ან შეცვალოთ ძუის საჭრელი დანის კონსტრუქცია. საჭრელი ძუის დიდი სიგრძე გამოიწვევს მოტორის გადახურებას, რამაც შესაძლოა მოგაყენოთ სერიოზული ზიანი.

#### ძუის გამოცვლა

**შენიშვნა:** ყოველთვის გამოიყენეთ რეკომენდირებული ნეილონის სათიბი ძუა, რომლის დიამეტრი არ აღემატება 2.4 მმ-ს. მითითებულისგან განსხვავებული ტიპის ძუის გამოყენებამ შესაძლოა გამოიწვიოს სათიბის გადახურება და დაზიანება.

**▲ გაფრთხილება:** არასოდეს გამოიყენოთ მავთული, სხვა მეტალის ჩანართიანი ზონარი, თოკი და სხვ. ესენი შესაძლოა გაწყდეს და წარმოქმნას სახიფათო გამოტყორცნილი სხეულები.

1. მოხსენით აკუმულატორი
2. მოხსენით დარჩენილი ძუა საჭიროების შემთხვევაში.
3. მოჭერით 4 მ სიგრძის სათიბი ძუა და ჩასვით იგი ხერელში არსებულ სამაგრ

სიღრუში (ნახ. R). შეიყვანეთ და ამოქაჩეთ ძუა მეორე მხრიდან, სანამ კოჭის ორივე მხარეს თანაბარი რაოდენობის ძუა არ გამოჩნდება.

4. დააჭირეთ და დაატრიალეთ ქვედა ხუფი ისრის მიმართულებით, რათა დაახვიოთ ძუა კოჭაზე სანამ დაახლოებით 14 სმ სიგრძის ძუა არ გამოჩნდება ორივე მხარეს (ნახ. S).
5. დააჭირეთ ქვედა ხუფს დაბლა ძუაზე მოქაჩვისას, რათა მანუალურად გამოწიოთ ძუა და შემოაწიოთ სათიბის თავაკის ჯეროვანი აწყობა.

### როდესაც მჭრელი ძუა წყდება და სათიბის თავაკზე დაჭერით ძუა არ გამოდის, მიეცით შემდეგ ინსტრუქციებს:

1. დააჭირეთ კოჭის ფუძეზე არსებულ გამშვებ ღილაკებს და მოხსენით ქვედა ხუფი ამოქაჩვით (ნახ. T და U).
2. მოხსენით ძუა კოჭას.
3. ერთი ხელით დააჭირეთ ზედა ხუფი, ხოლო მეორეთი - ქვედა ხუფი და გაუსწორეთ ზედა ხუფზე არსებული გმშვები ღილაკები ქვედა ხუფზე არსებულ ნასვრეტებს (ნახ. V); დააჭირეთ ხელისგულით ქვედა ხუფს სანამ ღილაკები არ ჩაჯდება ზედა ხუფში.
4. მიეცით ინსტრუქციებს სექციაში „ძუის გამოცვლა“, რათა ხელახლა დაახვიოთ ძუა.

### 3-კბილანიანი დანა ბუდით

1. მოხსენით ქვედა ხუფი, როგორც ნახ. T და U არის ნაჩვენები.
2. ჩასვით სტაბილიზატორი, შემდეგ გამოიყენეთ დარტყმითი ქანჩასახრახნი ქანჩის მოსაშვებად, როგორც ნახ. X1 და X2 არის ნაჩვენები.
3. მოხსენით ყველა ნაწილი შიდა შვერილისა და ქანჩის გარდა (ნახ. X3), დაამონტაჟეთ დანა მოტორის ლილვზე, როგორც ნახ. X4-ზე არის ნაჩვენები.
4. მოუჭირეთ დანის ჭანჭიკები, როგორც ნახ. X5-ზე არის ნაჩვენები.

### ექსპლუატაცია

**▲ გაფრთხილება:** ტექნიკური სერვისისას გამოიყენეთ მხოლოდ იდენტური სათადარიგო ნაწილები. გაუკეთეთ



ხელსაწყოს რეგულარული შემოწმება და ინსპექტირება. ხელსაწყოს უსაფრთხოდ და გამართულად მუშაობისთვის საჭიროა მისი ყველა შეკეთება და ნაწილის შეცვლა შესრულდეს კვალიფიციური სერვისის ტექნიკოსის მიერ.

**▲ გაფრთხილება:** სერიოზული პერსონალური ზიანისგან თავის არიდების მიზნით მოხსენით აკუმულატორი ხელსაწყოს ტექნიკური სერვისის, გაწმენდის, ნაწილების შეცვლის ან ნარჩენი ნივთიერების მოცილების დროს.

**▲ ყურადღება:** საპერობის დახშობა ხელს უშლის ჰაერის შედინებას მოტორში და გამოიწვევს მის გადახურებას და დაზიანებას.

**ხელსაწყოს განმენდის წესი**

- გაწმინდეთ ხელსაწყო ნოტიო ქსოვილით და რბილი სარეცხი საშუალებით. არასდროს დაუშვათ ხელსაწყოში სითხის შეღწევა; არასდროს მოათავსოთ ხელსაწყოს რაიმე ნაწილი სითხეში.
- არ გამოიყენოთ ძლიერი გამწმენდი საშუალებები პლასტმასის ბუდეზე ან სახელოურზე. ისინი შესაძლოა დაზიანდეს ისეთი არომატიზატორებით, როგორცაა ნაძვის ან ლიმნის ზეთი, ან ნავთის ტიპის გამხსნელი საშუალებებით. სინესტემ ასევე შეიძლება შექმნას ელექტრული შოკის საფრთხე. რბილი, მშრალი ქსოვილით მოწმინდეთ ხელსაწყოს ნებისმიერი ნესტი,
- გამოიყენეთ მცირე ფუნჯი ან პატარა მტვერსასრუტის ჰაერის ჭავლი რათა გაწმინდოთ ხელსაწყოს საპეროები ბუდის უკანა მხარეს.
- ყოველთვის გაათავისუფლეთ მოტორის საპეროები ნარჩენებისგან.

**გადაცემათა კოლოფის კბილანების შემეთვა**  
**გადაცემათა კოლოფში არსებული კბილანები საჭიროებენ პერიოდულ შემეთვას სპეციალური საპოხით. შეამოწმეთ გადაცემათა კოლოფის შემეთვის დონე ექსპლუატაციის ყოველ 50 საათიან პერიოდში კოლოფის გვერდითა მხარეს**

**მოთავსებული დამლუქავი ხრახნის მოხსნით.**

**თუ კბილანების გვერდებზე საპოხი მასალა არ სჩანს, მიყევით ქვემოთ მოცემულ ინსტრუქციას და შეაფასეთ გადაცემათა კოლოფის სივრცე 3/4-ზე საპოხი მასალით. ბოლომდე არ გაავსოთ გადაცემათა კოლოფი.**

1. დაიჭირეთ ელექტრო სათიბი გვედულად იმგვარად რომ დამლუქავი ხრახნი აღმოჩნდეს ზედა მხარეს (ნახ. W).
2. გამოიყენეთ არსებული მრავალფუნქციური ქანჩის გასაღები, რათა მოუშვათ და მოხსნათ დამლუქავი ხრახნი.
3. გამოიყენეთ ზეთის შპრიცი (არ არის კომპლექტში), რათა შეიყვანოთ საპოხი მასალა ხრახნის ნასვრეტში; არ გადააჭარბოთ მოცულობის 3/4-ზე მეტს.
4. საპოხის შეყვანის შემდეგ დაუჭირეთ დამლუქავი ხრახნი.

**ხელსაწყოს შენახვის წესი**

- მოხსენით აკუმულატორი ელექტრო სათიბს გამოყენების შემდეგ.
- საფუძვლიანად გაწმინდეთ ხელსაწყო შენახვამდე.
- შეინახეთ ხელსაწყო მშრალ, კარგად განიავებად ადგილას ჩაკეტილ და მაღალ სათავსოში, ზღვრებისთვის მიუწვდომელ ადგილას. არ შეინახოთ ხელსაწყო სასუქის, ბენზინის და სხვა ქიმიური ნივთიერებების სიახლოვეს.

**გარემოს დაცვა**



არ მოახდინოთ ელექტრული მოწყობილობის, დამტენის და აკუმულატორის / მისი ბატარეების მოთავსება საყოფაცხოვრებო ნაგავში! მიუტანეთ ისინი ავტორიზირებულ ნარჩენების გადამამუშავებელს და

მოახდინეთ ასეთი ნარჩენის განცალკევებულად შეგროვება. ელექტრული ხელსაწყოები უნდა ჩაბარდეს ნარჩენების გადამამუშავებელ ორგანოს გარემოს დაცვის ნორმების გათვალისწინებით.

**KA**

## გაუმართაობის დიაგნოსტიკა

| პრობლემა                          | მიზეზი  | გადაჭრის გზა   |
|-----------------------------------|---|--|
| სათიბი არ ირთვება.                | <ul style="list-style-type: none"> <li>▪ აკუმულატორი არ არის შეერთებული სათიბზე.</li> <li>▪ სათიბსა და აკუმულატორს შორის არ არის ელექტრული კონტაქტი.</li> <li>▪ აკუმულატორი დაცლილია.</li> <li>▪ ჩამკვეტი ღილაკი და ტრიგერი ერთდროულად არაა აქტივირებული.</li> </ul>  | <ul style="list-style-type: none"> <li>▪ მიუერთეთ აკუმულატორი სათიბს.</li> <li>▪ მოხსენით აკუმულატორი, შეამოწმეთ კონტაქტები და კვლავ მოათავსეთ იგი უკან.</li> <li>▪ დატენეთ აკუმულატორი.</li> <li>▪ დააჭირეთ ჩამკვეტი ღილაკს და გააჩერეთ ამ მდგომარეობაში, შემდეგ დააჭირეთ თითო ტრიგერს რათა ჩართოთ სათიბი.</li> </ul>   |
| სათიბი ითიმება მუშაობის პროცესში. | <ul style="list-style-type: none"> <li>▪ დამცავი ეკრანი არაა დამონტაჟებული სათიბზე, რის გამოც სათიბი ძუა არის უზომოდ გრძელი და მოტორი იტვირთება.</li> <li>▪ მძიმე სათიბი ძუა არის გამოყენებული.</li> <li>▪ მოტორის ტარი ან სათიბის თავი ბალახშია გახლართული.</li> <li>▪ მოტორი არის გადატვირთული.</li> <li>▪ აკუმულატორი ან სათიბი ზედმეტად გაცხელებულია.</li> <li>▪ აკუმულატორი მოხსნილია ხელსაწყოდან.</li> <li>▪ აკუმულატორი დაცლილია.</li> </ul> | <ul style="list-style-type: none"> <li>▪ მოხსენით აკუმულატორი და დაამონტაჟეთ დამცავი ეკრანი სათიბზე.</li> <li>▪ გამოიყენეთ რეკომენდირებული ნეილონის სათიბი ძუა, არაუმეტეს 2.4 მმ დიამეტრის სისქით.</li> <li>▪ გამორთეთ სათიბი, მოხსენით აკუმულატორი, მოაცილეთ ბალახი მოტორის სახელურს და სათიბის თავაკს.</li> <li>▪ მოაცილეთ სათიბის თავაკი ბალახს, მოტორი გააგრძელებს ჩვეულ მოშაობას როგორც კი დატვირთვა მოიხსნება. თიბვის პროცესში ჩაწიეთ და ამოწიეთ სათიბის თავაკი ბალახიდან და არ მოჭრათ 20 სმ-ზე მეტი სიგრძის ბალახი ერთ ჯერზე.</li> <li>▪ აცალეთ სათიბს ან აკუმულატორს გაგრილება 67°C-ის ქვევით.</li> <li>▪ ხელახლა ჩასვით აკუმულატორი.</li> <li>▪ დატენეთ აკუმულატორი.</li> </ul> |

KA

| პრობლემა  | მიზეზი  | გადაჭრის გზა   |
|---|---|--|
| სათიბის თავაკი არ უშვებს ძუას.  | <ul style="list-style-type: none"> <li>■ მოტორის ტარი ან სათიბის თავი ბალახშია გახლართული.</li> <li>■ კოჭაზე არასაკმარისი ოდენობის ძუა არის დარჩენილი.</li> <li>■ სათიბის თავაკი ჭუჭყიანია.</li> <li>■ ძუა გახლართულია კოჭაში.</li> <li>■ ძუა საკმარისზე მოკლეა.</li> </ul> | <ul style="list-style-type: none"> <li>■ გამორთეთ სათიბი, მოხსენით აკუმულატორი, გაწმინდეთ მოტორის ლილვი და სათიბის თავაკი.</li> <li>■ მოხსენით აკუმულატორი და შეცვალეთ სათიბი ძუა; მიჰყევით ინსტრუქციაში მოცემულ სექციას „ძუის გამოცვლა“.</li> <li>■ მოხსენით აკუმულატორი ელექტრო სათიბს და გაწმინდეთ ხელსაწყოთ თავი.</li> <li>■ მოხსენით აკუმულატორი, მოხსენით, გაშალეთ და ხელახლა დაახვიეთ სათიბი ძუა ხელსაწყოთ თავს; მიჰყევით ინსტრუქციაში მოცემულ სექციას „ძუის გამოცვლა“.</li> <li>■ მოხსენით აკუმულატორი და მოჭაჩეთ ძუის წვერებზე ხელით, თან შიგადაშიგ დააწეეთ და აუშვით ხელი სათიბის თავაკს.</li> </ul> |
| ბალახი ეხვევა სათიბის თავაკს და მოტორის ბუდეს.                            | <ul style="list-style-type: none"> <li>■ მაღალი ბალახის ჭრა ძირში.</li> </ul>   | <ul style="list-style-type: none"> <li>■ მოჭერით მაღალი ბალახი წვეროდან დაბლა, არ მოჭრათ 20 სმ-ზე მეტი სიგრძის ბალახი ერთ ჯერზე, რათა აარიდოთ თავი ბალახის დახვევას.</li> </ul>  |
| ბზარები სათიბის თავაკზე ან ქვედა ხუფზე, რომელიც ძვრება ზედა ხუფთან ერთად. | <ul style="list-style-type: none"> <li>■ სათიბის თავაკი გაცვეთილია.</li> </ul>  | <ul style="list-style-type: none"> <li>■ გამოცვალეთ სათიბი თავაკი დაუყონებლივ, შეაცვლევინეთ კვალიფიციურ სერვისის ტექნიკოსს.</li> </ul>   |

## გარანტია

### EGO-ს გარანტიის მომსახურების წესი

გთხოვთ ეწვიოთ ვებ-გვერდს [egopowerplus.com](http://egopowerplus.com), რათა მიიღოთ EGO-ს საგარანტიო მომსახურების სრული დადგენილებები და პირობები.

KA

## PROČITAJTE SVA UPUTSTVA!



### PROČITAJTE PRIRUČNIK ZA RUKOVAOCA

**⚠ UPOZORENJE:** Rezidualni rizik! Osobe sa elektronskim uređajima, poput pejsmejкера, treba da konsultuju svog lekara (svoje lekare) pre upotrebe ovog proizvoda. Rukovanje električnom opremom u neposrednoj blizini srčanog pejsmejкера moglo bi da izazove smetnje ili otkazivanje pejsmejкера.



Sigurnosno upozorenje



Nosite zaštitu za oči - uvek nosite sigurnosne naočare sa bočnim štitnicima i masku za celo lice kad rukujete ovim proizvodom.



Nosite zaštitu za uši - uvek nosite zaštitu za uši kad rukujete ovim proizvodom.



Nosite zaštitu za glavu - nosite odobreni sigurnosni šlem da biste zaštitili glavu.



Ne instalirajte okrugle noževe za sečenje.



Širina - maksimalna širina sečenja trimera sa strunom



Osigurajte da drugi ljudi i kućni ljubimci budu udaljeni najmanje 15 m od trimera kada je u upotrebi.



Garantovan nivo jačine zvuka. Emisija buke u okruženju prema Direktivi Evropske zajednice.



Otpadne električne proizvode ne bi trebalo odlagati zajedno sa otpadom iz domaćinstva. Odnosite ih u ovlašćeni pogon za reciklažu.

$n_0$

Brzina bez opterećenja-Rotaciona brzina, bez opterećenja



Jednosmerna struja

## SIGURNOSNI SIMBOLI

**⚠ UPOZORENJE:** Rukovanje svakim električnim alatom može da dovede do izbacivanja stranih tela ka očima, što može da dovede do ozbiljnog oštećenja očiju. Pre započinjanja rada sa električnim alatom, uvek stavite sigurnosne naočare sa bočnim štitnicima ili po potrebi masku za celo lice. Preporučujemo sigurnosnu masku Wide Vision za upotrebu preko naočara ili standardnih sigurnosnih naočara sa bočnim štitnicima.



Da bi smanjio rizik od povreda, korisnik mora pročitati priručnik za rukovaoca.



Nosite sigurnosnu obuću - nosite sigurnosnu obuću koja se ne klizje kad koristite ovu opremu.



Nosite zaštitne rukavice - zaštitite ruke rukavicama kada rukujete nožem ili štitnikom noža.



Čuvajte se odbijanja noža - upozorite rukovaoca na opasnosti od odbijanja noža.



Prečnik - prečnik najlonske strune za sečenje



Izbačeni predmeti se mogu odbiti i izazvati telesnu povredu ili oštetiti imovinu. Osigurajte da drugi ljudi i kućni ljubimci budu udaljeni od trimera kada je u upotrebi.



Ne koristite po kiši i ne ostavljajte napulju dok pada kiša.



Ovaj proizvod je u skladu sa primenljivim EC direktivama.

V Voltaža

.../min U minutu

kg Kilogram

## SPECIFIKACIJE

|   |                             |  |  |
|---|-----------------------------|--|--|
|   | Glava trimera               | 3-zubi nož                                     |  |
| Voltaža   | 56 V                        | 56 V   |  |
| Preporučena radna temperatura:                                  | 0 °C-40 °C                  |  |  |
| Preporučena temperatura skladištenja:                           | -20 °C-70 °C                |  |  |
| Optimalna temperatura punjenja                                  | 5 °C-40 °C                  |  |  |
| Brzina bez opterećenja  | 5000/6000 min <sup>-1</sup> | 5000/6000 min <sup>-1</sup>                    |  |
| Tip strune za sečenje   | 2,4mm                       | /  |  |
| Nož za sečenje  | /                           | ABB1203  |  |
| Širina sečenja  | 38 cm                       | 30cm   |  |
| Težina (bez baterije)   | 4,21 kg                     | 4,45 kg  |  |
| Izmereni nivo jačine zvuka L <sub>WA</sub>                      | 94,6 dB(A)<br>K=1,8 dB(A)   | 96,5 dB(A)<br>K=1,88 dB(A)                     |  |
| Nivo zvučnog pritiska kod uha rukovaoca L <sub>PA</sub>         | 81,7 dB(A)<br>K=2,5 dB(A)   | 76,5 dB(A)<br>K=3 dB(A)                        |  |
| Garantovan nivo jačine zvuka L <sub>WA</sub> (prema 2000/14/EC) | 96 dB(A)                    | 98 dB(A)                                       |  |
| Vibracije a <sub>h</sub>  | Prednja pomoćna drška       | 3,2 m/s <sup>2</sup><br>K=1,5 m/s <sup>2</sup> | 2,8 m/s <sup>2</sup><br>K=1,6 m/s <sup>2</sup> |
|   | Zadnja drška                | 2,3 m/s <sup>2</sup><br>K=1,5 m/s <sup>2</sup> | 3,1 m/s <sup>2</sup><br>K=1,6 m/s <sup>2</sup> |

- Deklarisana ukupna vrednost vibracije je izmerena u skladu sa standardnim metodom testiranja i može se koristiti za upoređivanje jednog alata sa drugim;
- Deklarisana ukupna vrednost vibracije može se koristiti i u preliminarnoj proceni izlaganja.

**NAPOMENA:** Emisija vibracija tokom stvarne upotrebe električnog alata može da se razlikuje od deklarisanе vrednosti u kojoj se alat koristi. Da bi se rukovalac zaštitio, korisnik bi trebalo da nosi rukavice i štitnike za uši u stvarnim uslovima korišćenja.

## OPIS

### UPOZNAJTE SVOJ TRIMER SA STRUNOM (slika A1)

1. Granični prsten

2. Okidač
3. Zadnja drška
4. Ulaz vazduha
5. Dugme za zaključavanje
6. Prekidač veće/manje brzine
7. Vešalica postolja remena za rame
8. Podesiva prednja pomoćna drška
9. Remen za rame
10. Višenamenski ključ
11. Inbus ključ
12. Glava trimera (izbočena glava)
13. Struna za sečenje
14. Jezičak za otpuštanje
15. Nož za sečenje strunom
16. Štitnik
17. Mehanizam izbacivanja
18. Električni kontakti
19. Reza
20. Zaštitni gumeni jastučić
21. Dugme za otključavanje baterije
22. Sigurnosna prečka (samo za glavu motorne kose)
23. Šipka za zaključavanje sigurnosne prečke (samo za glavu motorne kose)
24. Spoljašnja prirubnica (samo za glavu motorne kose)
25. Navrtanj (samo za glavu motorne kose)
26. Vijci (samo za glavu motorne kose)

## POPIS PAKOVANJA

| NAZIV DELA                  | KOLIČINA |
|-----------------------------|----------|
| Trimer sa strunom           | 1        |
| Štitnik                     | 1        |
| Sklop prednje pomoćne drške | 1        |
| Inbus ključ                 | 1        |
| Višenamenski ključ          | 1        |
| Remen za rame               | 1        |
| Priručnik za rukovaoca      | 1        |
| Šipka za zaključavanje      | 1        |
| Spoljašnja prirubnica       | 1        |
| Navrtanj                    | 1        |

SR

|       |   |
|-------|---|
| vijak | 2 |
|-------|---|

## SKLAPANJE

### MONTIRANJE ŠTITNIKA

1. Olabavite i skinite dva vijka sa štitnika (slika B).
2. Poravnajte montažne rupe štitnika sa rupama na sklopu pa zatim zaključajte štitnik na bazu vratila pomoću dva vijka, zajedno sa dve elastične podloške (slika C).

**NAPOMENA:** Proverite da li je štitnik fiksiran prema slici B i C, svako obrnuto fiksiranje će izazvati veliku opasnost!

### MONTIRANJE I PODEŠAVANJE PREDNJE POMOĆNE DRŠKE

1. Olabavite šipku za zaključavanje na prednjoj pomoćnoj drški i skinite šipku za zaključavanje i leptir navrtanj sa prednje pomoćne drške (slika D).

**NAPOMENA:** Instalirajte sklop sigurnosne prečke na kružnu dršku pomoću dva vijka kada je alat opremljen glavnom motorne kose.

**NAPOMENA:** postoje dve vrste šipke za zaključavanje, kraća je za upotrebu sa glavom trimera. Duža je za upotrebu sa glavom motorne kose. Vodite računa da izaberete odgovarajuću šipku za zaključavanje kad koristite alat.

|     |                       |     |  |
|-----|-----------------------|-----|--|
| D-1 | Prednja pomoćna drška | D-4 | Sigurnosna prečka (samo za glavu motorne kose) |
| D-2 | Spojini blok          | D-5 | Šipka za zaključavanje                         |
| D-3 | Leptir navrtanj       |     |  |

2. Gurnite prednju dršku na vratilo ispred graničnog prstena. Nikad je ne stavljajte između graničnog prstena i zadnje drške (slika E).
3. Umetnite spojni blok u prerez drške (slika F).
4. Montirajte šipku za zaključavanje i unapred ih zategnite leptir navrtanjem. Vodite računa da prednja pomoćna drška bude okrenuta nagore i usmerena ka gornjem delu zadnje drške (slika G).
5. Podesite prednju pomoćnu dršku između graničnog prstena i nalepnice da biste bili sigurni da vam je prednja ruka ispružena kad radite (slika H).
6. Zaključajte polugu šipke za zaključavanje. (slika I).

**⚠ UPOZORENJE:** Alat se ne može koristiti ako prednja pomoćna drška nije čvrsto fiksirana.

### MONTIRANJE REMENA ZA RAME

Pritisnite kukicu remena da biste je otvorili i pričvrstite je na vešalicu postolja remena za rame (slika J).

## RUKOVANJE

**⚠ UPOZORENJE:** Uvek nosite sigurnosne naočare sa bočnim štitnicima, zajedno sa zaštitom sluha. Nepridržavanje toga može dovesti do predmeta izbačenih prema očima i drugih ozbiljnih povreda.

Možete koristiti ovaj proizvod za svrhe navedene ispod:

**Trimovanje:** koristi se za uklanjanje trave i korova pored zidova, ograda, drveća i međa.

**Sečenje:** koristi se za sečenje trave koju je teško dosegnuti koristeći normalnu kosilicu.

**NAPOMENA:** Alat treba koristiti samo za propisanu svrhu. Svaka druga upotreba, na primer trimovanje ivica, smatra se slučajem zloupotrebe.

### SPAJANJE/ODVAJANJE BATERIJE

Koristite samo sa baterijama i punjačima navedenim na slici A2.

### Potpuno napunite pre prve upotrebe

#### Za spajanje

Poravnajte rebra baterije sa prorezima za montiranje i pritisnite bateriju nadole dok ne čujete „klik“ (slika K).

#### Za odvajanje

Pritisnite dugme za otključavanje baterije i izvucite bateriju kako je prikazano na slici L.

|     |                                 |
|-----|---------------------------------|
| L-1 | Dugme za otključavanje baterije |
|-----|---------------------------------|

### DRŽANJE TRIMERA SA STRUNOM

Za bezbedan i bolji rad, stavite remen za rame preko ramena kao na slici N. Podesite remen za rame u udoban radni položaj. Držite trimer sa strunom sa obe ruke. Jedna ruka treba da bude na zadnjoj drški a druga na prednjoj pomoćnoj drški.

**NAPOMENA:** Glava trimera je paralelna sa tlom i na odgovarajućoj razdaljini sečenja bez saginjanja rukovaoaca (slika N).

Postoje dva načina za otkopčavanje remena. Skinite ga sa ramena direktno (slika O) ili pritisnite kukicu remena i odvojite je od vešalice postolja remena za rame pričvršćene na vratilo (slika P).

**⚠ UPOZORENJE:** Remen za rame je takođe i mehanizam za brzo oslobađanje u opasnim situacijama. Kada se desi hitan slučaj, odmah skinite uređaj sa ramena, bez obzira kako je remen namešten.

SR

## POKRETANJE/ZAUSTAVLJANJE TRIMERA SA STRUNOM (slika M)

### Za pokretanje

Pritisnite nadole polugu za zaključavanje a zatim pritisnite okidač. Različit pritisak na okidač daje varijabilnu brzinu rotiranja strune za sečenje. Više pritiska, veća brzina.

### Za zaustavljanje

Pustite okidač.

**NAPOMENA:** Motor radi samo kada su i dugme za otključavanje i okidač pritisnuti.

### Funkcija podešavanja brzine (slika M)

Trimer sa strunom ima dve brzine. Položaj „1“ je za manju brzinu a položaj „2“ je za veću brzinu.

|     |                            |
|-----|----------------------------|
| M-1 | Prekidač veće/manje brzine |
| M-2 | Dugme za zaključavanje     |
| M-3 | Okidač                     |

## KORIŠĆENJE TRIMERA SA STRUNOM

Očistite područje na kojem ćete seći pre svake upotrebe. Uklonite sve predmete poput kamenja, razbijenog stakla, eksera, žica ili strune koji bi mogli biti izbačeni ili zakačeni dodatkom za sečenje. Uklonite decu, prolaznike i kućne ljubimce iz područja gde ćete raditi. U najmanju ruku, držite svu decu, prolaznike i ljubimce na udaljenosti od najmanje 15 m; i dalje može postojati rizik po posmatrača od izbačenih predmeta. Posmatrača bi trebalo podstaći da nose zaštitne naočare. Ako vam neko priđe, odmah zaustavite motor i dodatak za sečenje.

### Pre svake upotrebe proverite da li ima oštećenih/pohabanih delova.

Proverite izbočenu glavu, štitnik i prednju pomoćnu dršku i zamenite delove koji su naprsli, iskrivljeni, savijeni ili na bilo koji način oštećeni.

Nož za sečenje strunom na ivici štitnika može vremenom da se istupi. Preporučuje se periodično oštrenje turpijom ili zamena novim nožem.

### Nakon svake upotrebe, očistite trimer.

### PODEŠAVANJE DUŽINE STRUNE ZA SEČENJE

Glava trimera omogućava rukovaocu da otpusti još strune za sečenje bez zaustavljanja motora. Kako struna postaje iskrzana ili pohabana, još strune se može otpustiti laganim tapkanjem glave trimera o tlo tokom rukovanja trimenom (slika Q).

**NAPOMENA:** Otpuštanje strune postaća teže kako struna za sečenje postaje kraća.

**⚠ UPOZORENJE:** Ne uklanjajte niti prepravljajte sklop noža za sečenje strunom. Prekomerna dužina strune će izazvati pregrevanje motora i može da dovede do ozbiljnih telesnih povreda.

### ZAMENA STRUNE

**NAPOMENA:** Uvek koristite preporučenu najlonsku strunu za sečenje, prečnika koji ne prelazi 2,4 mm. Korišćenje neke druge strune osim one koja je navedena može da izazove pregrevanje ili oštećenje trimera.

**⚠ UPOZORENJE:** Nikad ne koristite strunu ojačanu metalom, žicu ili kanap i sl. Oni se mogu otkinuti i postati opasni projektili.

1. Izvadite bateriju.
2. Uklonite preostalu strunu za sečenje, ako je neophodno.
3. Odsecite 4 m dužine strune za sečenje; udenite strunu u rupicu za montiranje unutar rupe (slika R). Gurajte i vucite strunu sa druge strane dok se jednake dužine strune ne pojave sa obe strane kalema.
4. Pritiskajte, dok rotirate sklop donjeg poklopca u smeru strelice, da biste namotali strunu na kalem dok približno 14 cm strune ne viri sa svake strane (slika S).
5. Pritisnite sklop donjeg poklopca nadole dok vučete strune da ručno izvučete strunu i proverite pravilno sklapanje glave trimera.

Kad struna za sečenje puca dok izlazi iz izlaza strune ili se struna za sečenje ne oslobađa kad se glava trimera tapka, pratite korake ispod:

1. Pritisnite jezičke za otključavanje na gornjem poklopcu i skinite sklop donjeg poklopca tako što ćete ga ravno izvući napolje (slika T i U).
2. Uklonite strunu za sečenje iz kalema.
3. Dok jednom rukom držite sklop donjeg poklopca, drugom rukom uhvatite sklop donjeg poklopca i poravnajte jezičke na gornjem poklopcu sa rupicama na sklopu donjeg poklopca (slika V); dlanom pritiskajte sklop donjeg poklopca dok se jezički ne zaključaju sa gornjim poklopcem.
4. Pratite uputstva u odeljku „ZAMENA STRUNE“ da biste ponovo stavili strunu za sečenje.

### ZAMENA 3-ZUBOG NOŽA

1. Skinite sklop donjeg poklopca kao na slici T i U
2. Umetnite stabilizator a zatim pomoću udarnog cevastog ključa olabavite navrtanj kao na slici X1 i X2.

3. Uklonite sve delove osim unutrašnje prirubnice i navrtnja (slika X3); montirajte nož na vratilo motora kao na slici X4.
4. Zategnite nož kao na slici X5.

## ODRŽAVANJE

**⚠ UPOZORENJE:** Tokom servisiranja, koristite samo identične rezervne delove. Redovno pregledajte i održavajte mašinu. Da bi se osigurala sigurnost i pouzdanost, sve popravke treba da radi kvalifikovani servisni tehničar.

**⚠ UPOZORENJE:** Da biste sprečili ozbiljne telesne povrede, izvadite bateriju iz alata pre servisiranja, čišćenja, menjanja dodataka ili skidanja materijala sa jedinice.

**⚠ OPREZ:** Začepljenje otvora će sprečiti protok vazduha u kućište motora i dovešće do pregrevanja ili oštećenja motora.

## ČIŠĆENJE JEDINICE

- Očistite jedinicu vlažnom krpom i blagim deterdžentom. Nikad ne dozvolite da neka tečnost uđe u alat; nikad ne potapajte nijedan deo alata u tečnost.
- Ne koristite jake deterdžente na plastičnom kućištu i drški. Mogu ih oštetiti određena aromatična ulja, poput bora i limuna, i rastvarači poput kerozina. Vлага može da izazove i opasnost od strujnog udara. Obrišite svu vlagu mekom suvom krpom.
- Pomoću male četke ili ispuštanja vazduha kroz četku malog usisivača očistite otvore za vazduh na zadnjoj strani kućišta.
- Uvek održavajte otvore za vazduh u kućištu motora bez prijavštine.

## PODMAZIVANJE PRENOSNIH ZUPČANIKA

Prenosni zupčanci u menjaču brzina treba periodično da se podmazuju mazivom za zupčanike. Proveravajte nivo maziva u menjaču brzina na svakih oko 50 sati rada tako što ćete ukloniti zaptivni vijak na bočnoj strani kućišta.

Ako se mazivo ne vidi na bočnim stranama zupčanika, pratite korake ispod da biste sipali mazivo za zupčanike do 3/4 kapaciteta. Nemojte potpuno napuniti prenosne zupčanike.

1. Držite trimer sa strunom na bočnoj strani tako da zaptivni vijak bude okrenut nagore (slika W).
2. Pomoću priloženog višenamenskog ključa olabavite zaptivni vijak i uklonite ga.
3. Pomoću šprica za mazivo (nije priložen) ubrizgajte malo maziva u rupicu vijka; nemojte prekoračiti 3/4 kapaciteta.

4. Zategnite zaptivni vijak posle ubrizgavanja.

## SKLADIŠTENJE JEDINICE

- Izvadite bateriju iz trimera sa strunom kad nije u upotrebi.
- Temeljno očistite alat pre no što ga uskladištite.
- Skladištite jedinicu na suvom, dobro provetrenom mestu, zaključanu ili na visini, van domašaja dece. Ne skladištite jedinicu na ili pored đubriva, benzina ili drugih hemikalija.

## Zaštita životne sredine



Ne odlažite električnu opremu, potrošene baterije i punjače u kućni otpad! Odnosite ovaj proizvod u ovlašćeni pogon za reciklažu ili ga odvojite od ostalog smeća radi zasebnog prikupljanja. Električni alati moraju se odneti u ekološki prihvatljiv pogon za reciklažu.



## REŠAVANJE PROBLEMA

| PROBLEM  | UZROK   | REŠENJE   |
|--|---|---|
| Trimer sa strunom neće da se uključi.          | <ul style="list-style-type: none"> <li>■ Baterija nije spojena na trimer.</li> <li>■ Nema električnog kontakta između trimera i baterije.</li> <li>■ Baterija je prazna.</li> <li>■ Dugme za zaključavanje i okidač nisu pritisnuti istovremeno.</li> </ul>   | <ul style="list-style-type: none"> <li>■ Spojite bateriju na trimer.</li> <li>■ Izvadite bateriju, proverite kontakte i ponovo instalirajte bateriju.</li> <li>■ Napunite bateriju.</li> <li>■ Pritisnite nadole dugme za zaključavanje i držite ga, zatim pritisnite okidač da biste uključili trimer sa strunom.</li> </ul>   |
| Trimer sa strunom se isključuje tokom sečenja. | <ul style="list-style-type: none"> <li>■ Štitnik nije montiran na trimer, dovodeći do predugačke strune za sečenje i preopterećenja motora.</li> <li>■ Koristi se debela struna za sečenje.</li> <li>■ Vratilo motora ili glava trimera su se upetljali u travu.</li> <li>■ Motor je preopterećen.</li> <li>■ Baterija ili trimer sa strunom su prevrući.</li> <li>■ Baterija se odvojila od alata.</li> <li>■ Baterija je prazna.</li> </ul> | <ul style="list-style-type: none"> <li>■ Izvadite bateriju i montirajte štitnik na trimer.</li> <li>■ Koristite preporučenu najlonsku strunu za sečenje, prečnika ne većeg od 2,4 mm.</li> <li>■ Zaustavite trimer, izvadite bateriju i uklonite travu sa vratila motora i glave trimera.</li> <li>■ Izvadite glavu trimera iz trave. Motor će se ponovo pokrenuti čim opterećenje bude uklonjeno. Kad sečete, pomerajte glavu trimera unutra i napolje trave koju treba iseći i ne uklanjajte više od 20 cm dužine u jednom sečenju.</li> <li>■ Ostavite bateriju ili trimer da se hlade dok temperatura ne padne ispod 67 °C.</li> <li>■ Ponovo instalirajte bateriju.</li> <li>■ Napunite bateriju.</li> </ul> |
| Glava trimera neće da uvlači strunu.           | <ul style="list-style-type: none"> <li>■ Vratilo motora ili glava trimera su se upetljali u travu.</li> <li>■ Nema dovoljno strune na kalemu.</li> <li>■ Glava trimera je prijava.</li> <li>■ Struna se zapetljala na kalemu.</li> <li>■ Struna je prekratka.</li> </ul>  | <ul style="list-style-type: none"> <li>■ Zaustavite trimer, izvadite bateriju i očistite vratilo motora i glavu trimera.</li> <li>■ Izvadite bateriju i zamenite strunu za sečenje; pratite odeljak „ZAMENA STRUNE“ u ovom priručniku.</li> <li>■ Izvadite bateriju i očistite glavu trimera.</li> <li>■ Izvadite bateriju, izvadite strunu iz glave trimera i ponovo je namotajte; pratite odeljak „PONOVO UĐENITE STRUNU ZA SEČENJE“ u ovom priručniku.</li> <li>■ Izvadite bateriju i ručno vučite strune dok naizmenično pritisnete nadole i puštate glavu trimera.</li> </ul>  |



| PROBLEM   | UZROK  | REŠENJE   |
|---|--|---|
| Trava se omotala oko glave trimera i kućišta motora.                                      | <ul style="list-style-type: none"><li>Sečenje visoke trave na nivou tla.</li></ul> | <ul style="list-style-type: none"><li>Secite visoku travu odozgo nadole, uklanjajući ne više od 20 cm u svakom prolasku da biste sprečili omotavanje.</li></ul> |
| Pukotine na glavi trimera ili sklop donjeg poklopca koji se olabavio sa gornjeg poklopca. | <ul style="list-style-type: none"><li>Glava trimera je pohabana.</li></ul>         | <ul style="list-style-type: none"><li>Odmah zamenite glavu trimera kod kvalifikovanog servisnog tehničara.</li></ul>  |

## GARANCIJA

### EGO POLITIKA GARANCIJE

Posetite veb-lokaciju [egopowerplus.com](http://egopowerplus.com) za potpune uslove i odredbe EGO politike garancije.

SR

202

BEŽIČNI TRIMER SA STRUNOM I LITIJUM-JONSKOM BATERIJOM OD 56 VOLTI — ST1530E

## PROČITAJTE UPUTSTVO U CIJELOSTI!



### PROČITAJTE KORISNIČKI PRIRUČNIK.

**⚠ UPOZORENJE!** Preostale opasnosti! Osobe s elektroničkim uređajima poput srčanih elektrostimulatora prije upotrebe ovog proizvoda trebaju se posavjetovati sa svojim ljekarom. Rad električne opreme u neposrednoj blizini srčanih elektrostimulatora može uzrokovati smetnju ili kvar srčanog elektrostimulatora.



Simbol upozorenja



Nosite zaštitu za oči. - Kada upotrebljavate ovaj proizvod, uvijek nosite zatvorene zaštitne naočale ili zaštitne naočale s bočnim štiznicima i štitičnik za cijelo lice.



Nosite zaštitu za sluh. - Kada rukujete ovim proizvodom, uvijek nosite zaštitu za sluh.



Nosite zaštitu za glavu. - Radi zaštite glave nosite odobrenu sigurnosnu kacigu.



Nemojte postavljati zaobljene rezne noževe.



Širina - Maks. širina rezanja trimera s reznom niti



Pobrinite se da druge osobe i kućni ljubimci ostanu na udaljenosti od najmanje 15 m od trimera s reznom niti tokom upotrebe.



Zagarantovani nivo zvučne snage. Emisija buke u okruženju u skladu je s Direktivom Evropske unije.



Otpadni električni proizvodi ne smiju se odlagati s otpadom iz domaćinstva. Odnosite ih u ovlaštenu centar za reciklažu.

$n_0$

Brzina vrtnje bez opterećenja-Brzina okretanja, bez opterećenja



Istosmjerna struja

## SIGURNOSNI SIMBOLI



**UPOZORENJE!** Rukovanje električnim alatima može rezultirati odbacivanjem stranih predmeta u oči, što opet može izazvati teška oštećenja očiju. Prije početka rukovanja električnim alatom, uvijek nosite zatvorene zaštitne naočale ili zaštitne naočale s bočnim štiznicima, a prema potrebi i štitičnik za cijelo lice. Preporučujemo nošenje sigurnosne maske proizvođača Wide Vision preko naočala, ili nošenje standardnih zaštitnih naočala s bočnim štiznicima.



Radi smanjenja opasnosti od povreda, korisnik treba pročitati korisnički priručnik.



Nosite sigurnosnu obuću. - Kada upotrebljavate ovu opremu nosite neklizajuću sigurnosnu obuću.



Nosite zaštitne rukavice. - Kada rukujete nožem i štitičnikom noža zaštitite ruke rukavicama.



Čuvajte se povratnog udara noža. - Upozorite rukovoaca na opasnost od povratnog udara noža.



Prečnik - Prečnik najlonske rezne niti



Odbačeni predmeti mogu odskočiti i rezultirati tjelesnim povredama ili materijalnom štetom. Pobrinite se da druge osobe i kućni ljubimci ostanu podalje od čistača šikare tokom upotrebe.



Uređaj nemojte upotrebljavati na kiši ili nemojte ga ostavljati na otvorenom kada pada kiša.



Ovaj proizvod je u skladu s primjenjivim Direktivama EU.

V Napon

.../min U minuti

kg Kilogram

## TEHNIČKI PODAC

|  |                              |  |  |
|--|------------------------------|--|--|
|  | Glava trimera                | Trokraki nož                                   |  |
| Napon  | 56 V $\overline{\text{---}}$ | 56 V $\overline{\text{---}}$                   |  |
| Preporučena radna temperatura:   | 0°C-40°C                     |  |  |
| Preporučena temperatura skladištenja:  | -20°C-70°C                   |  |  |
| Optimalna temperatura punjenja   | 5°C-40°C                     |  |  |
| Brzina vrtnje bez opterećenja  | 5000/6000 min <sup>-1</sup>  | 5000/6000 min <sup>-1</sup>                    |  |
| Vrsta rezne niti   | 2,4mm                        | /  |  |
| Rezni nož  | /                            | ABB1203  |  |
| Širina rezanja   | 38 cm                        | 30cm   |  |
| Masa (bez kompleta baterija)   | 4,21Kg                       | 4,45 kg  |  |
| Izmjereni nivo zvučne snage L <sub>WA</sub>  | 94,6 dB(A)<br>K=1,8 dB(A)    | 96,5 dB(A)<br>K=1,88 dB(A)                     |  |
| Nivo zvučnog pritiska kod uha rukovaoca L <sub>PA</sub>                            | 81,7 dB(A)<br>K=2,5 dB(A)    | 76,5 dB(A)<br>K=3 dB(A)                        |  |
| Zagarantovani nivo zvučne snage L <sub>WA</sub> (u skladu s Direktivom 2000/14/EZ) | 96 dB(A)                     | 98 dB(A)                                       |  |
| Vibracije a <sub>h</sub>   | Prednji pomoćni rukohvat     | 3,2 m/s <sup>2</sup><br>K=1,5 m/s <sup>2</sup> | 2,8 m/s <sup>2</sup><br>K=1,6 m/s <sup>2</sup> |
|  | Stražnji rukohvat            | 2,3 m/s <sup>2</sup><br>K=1,5 m/s <sup>2</sup> | 3,1 m/s <sup>2</sup><br>K=1,6 m/s <sup>2</sup> |

- Deklarisane ukupne vrijednosti vibracija izmjerene su u skladu sa standardnom metodom ispitivanja i mogu se primjenjivati za poređenje jednog alata s drugim.
- Deklarisane ukupne vrijednosti vibracija mogu se primjenjivati i u preliminarnoj procjeni izloženosti.

**NAPOMENA!** Emisija vibracija tokom aktualne upotrebe električnog alata može se razlikovati od deklarisanе vrijednosti u kojoj se alat upotrebljavao; Korisnik radi zaštite treba nositi rukavice i štitnike za uši u aktualnim uslovima upotrebe.

## OPIS

**BS**

UPOZNAJTE SVOJ TRIMER S REZKOM NITI (sl. A1)

1. Granični prsten
2. Okidač
3. Stražnji rukohvat
4. Ulazni otvor za zrak
5. Dugme za deblokadu
6. Prekidač za odabir visoke/niske brzine
7. Kukica za postavljanje ramene trake
8. Podesivi prednji pomoćni rukohvat
9. Ramena traka
10. Višefunkcijski ključ
11. Inbus ključ
12. Glava trimera (reзна glava)
13. Rezna nit
14. Jezičak za otpuštanje
15. Nož za rezanje rezne niti
16. Štitnik
17. Mehanizam za izbacivanje
18. Električni kontakti
19. Bravica
20. Zaštitna gumena podloga
21. Dugme za oslobađanje baterije
22. Sigurnosna šipka (samo za glavu čistača šikare)
23. Blokirni klin za sigurnosnu šipku (samo za glavu čistača šikare)
24. Vanjska priрубnica (samo za glavu čistača šikare)
25. Matica (samo za glavu čistača šikare)
26. Vijci (samo za glavu čistača šikare)

## LISTA PAKOVANJA

| NAZIV DIJELA                      | KOLIČINA |
|-----------------------------------|----------|
| Trimer s reznom niti              | 1        |
| Štitnik                           | 1        |
| Sklop prednjeg pomoćnog rukohvata | 1        |
| Inbus ključ                       | 1        |
| Višefunkcijski ključ              | 1        |
| Ramena traka                      | 1        |
| Korisnički priručnik              | 1        |
| Blokirni klin                     | 1        |
| Vanjska priрубnica                | 1        |
| Matica                            | 1        |

|       |   |
|-------|---|
| Vijak | 2 |
|-------|---|

## SASTAVLJANJE

### POSTAVLJANJE ŠTITNIKA

- Otpustite i uklonite dva vijka sa štitnika (sl. B).
- Poravnajte montažne provrte na štitniku s montažnim provrtima i štitnik zatim pričvrstite na kućište drške s dva vijka i dvije opružne podloške (sl. C).

**NAPOMENA!** Uvjerite se da je štitnik pričvršćen u skladu sa sl. B i C. Svako obrnuto pričvršćivanje izazvat će veliku opasnost!

### POSTAVLJANJE I PODEŠAVANJE PREDNJEG POMOĆNOG RUKOHVATA

- Otpustite blokirni klin u prednjem pomoćnom rukohvatu i izvadite ga zajedno s krilnom maticom iz prednjeg pomoćnog rukohvata (sl. D).

**NAPOMENA!** Kada je alat opremljen glavom čistača šikare postavite sklop sigurnosne šipke na rukohvat s omčom pomoću dva vijka.

**NAPOMENA!** Postoje dvije vrste blokirnog klina, a kraći je za upotrebu s glavom trimera. Duži je za upotrebu s glavom čistača šikare. Kada upotrebljavate alat, vodite računa da odaberete ispravan blokirni klin.

|     |                          |     |   |
|-----|--------------------------|-----|---|
| D-1 | Prednji pomoćni rukohvat | D-4 | Sigurnosna šipka (samo za glavu čistača šikare) |
| D-2 | Stezni blok              | D-5 | Blokirni klin                                   |
| D-3 | Krilna matica            |     |   |

- Gurnite prednji rukohvat na dršku ispred graničnog prstena. Nemojte ga nikada stavljati između graničnog prstena i područja stražnjeg rukohvata (sl. E).
- U utor rukohvata umetnite stezni blok (sl. F).
- Postavite blokirni klin i pritegnite ga krilnom maticom. Uvjerite se da je prednji pomoćni rukohvat okrenut prema gore i da je usmjeren prema gornjem dijelu stražnjeg rukohvata (sl. G).
- Podesite prednji pomoćni rukohvat između graničnog prstena i naljepnice kako biste osigurali da vam prednja ruka bude ispružena pri upotrebi (sl. H).
- Zabravite ručicu blokirnog klina. (sl. I).

**⚠ UPOZORENJE!** Alat se ne smije upotrebljavati ako prednji pomoćni rukohvat nije dobro pričvršćen.

### POSTAVLJANJE RAMENE TRAKE

Pritisnite kukicu za postavljanje ramene trake da je otvorite i pričvrstite je na držač za ramenu traku (sl. J).

### RAD

**⚠ UPOZORENJE!** Uvijek nosite zatvorene zaštitne naočale ili zaštitne naočale s bočnim štitnicima, zajedno sa zaštitom za sluh. Nepostupanje u skladu s tim može rezultirati odbacivanjem predmeta u oči i drugim mogućim teškim povredama.

Ovaj proizvod možete upotrebljavati za svrhe navedene u nastavku:

**Šišanje:** upotrebljava se za uklanjanje trave i korova uz zidove, ograde, drveće i granične elemente.

**Rezanje:** upotrebljava se za rezanje trave koju je teško dosegnuti normalnom kosilicom.

**NAPOMENA!** Alat se smije upotrebljavati samo za prethodno opisanu namjenu. Svaka druga upotreba, na primjer rubno šišanje, smatra se nepropisnom upotrebom.

### POSTAVLJANJE/SKIDANJE KOMPLETA BATERIJA

Upotrebljavajte samo s kompletima baterija i punjačima koji su navedeni na sl. A2.

### Komplet baterija napunite prije prve upotrebe.

#### Postavljanje

Poravnajte kontakte baterije s montažnim utorima i pritišćite komplet baterija prema dolje dok ne začujete zvuk "klikanja" (sl. K).

#### Skidanje

Pritisnite dugme za otpuštanje baterije i izvucite komplet baterija kako je prikazano na sl. L.

|     |                               |
|-----|-------------------------------|
| L-1 | Dugme za oslobađanje baterije |
|-----|-------------------------------|

### DRŽANJE TRIMERA S REZKOM NITI

Radi sigurnog i boljeg rada stavite ramenu traku preko ramena kako je prikazano na sl. N. Podesite ramenu traku u položaj ugodan za rad. Trimer s reznom niti držite objema rukama: jednu ruku držite na stražnjem rukohvatu, a drugu ruku na prednjem pomoćnom rukohvatu.

**NAPOMENA!** Glava trimera je u paralelnom položaju u odnosu na tlo na propisnoj udaljenosti za rezanje bez naginjanja ručavca prema naprijed (sl. N).

Postoje dva načina za otpuštanje trake. Direktno je skinite s ramena (sl. O) ili pritisnite kukicu trake i odvojite je od držača ramene trake pričvršćenog na dršci (sl. P).

**⚠ UPOZORENJE!** Ramena traka je i mehanizam za brzo

otpuštanje u opasnim situacijama. U slučaju nužde ramenu traku odmah skinite s ramena, bez obzira na način na koji je stavljena.

## POKRETANJE/ZAUSTAVLJANJE TRIMERA S REZKOM NITI (sl. M)

### Pokretanje

Pritisnite ručicu za deblokadu, a zatim okidač. Različiti pritisak na okidač rezultira različitim brzinama rotacije rezne niti. Više pritiska, viša brzina.

### Zaustavljanje

Otpustite okidač.

**NAPOMENA!** Motor radi samo kada se pritisnu dugme za blokadu i okidač.

### Funkcija podešavanja brzine (sl. M)

Trimer s reznom niti ima dvije brzine. Položaj "1" je za nisku brzinu, a položaj "2" za visoku brzinu.

|     |  |
|-----|--|
| M-1 | Prekidač za odabir visoke/niske brzine |
| M-2 | Dugme za deblokadu                     |
| M-3 | Okidač                                 |

### UPOTREBA TRIMERA S REZKOM NITI

Očistite radno područje prije svake upotrebe. Uklonite sve predmete poput kamenja, razbijenog stakla, eksera, žica ili niti koje trimer može odbaciti ili koji se mogu zaplesti u rezni priključak. Iz područja udaljite djecu, druge prisutne osobe i kućne ljubimce. Držite djecu, posmatrača i kućne ljubimce udaljene najmanje 15 m; za posmatrača čak i tada postoji opasnost od odbačenih predmeta. Druge prisutne osobe posebno je zamoliti da nose zaštitu za oči. Ako vam neko prilazi, odmah zaustavite motor i rezni priključak.

### Prije svake upotrebe provjerite ima li oštećenih/istrošenih dijelova.

Provjerite reznu glavu, štitnik i prednji pomoćni rukohvat i zamijenite dijelove koji su napukli, deformisani, savijeni ili oštećeni na bilo koji način.

Nož za rezanje rezne niti na rubu štitnika vremenom može postati tup. Preporučujemo povremeno oštrenje noža turpijom ili zamjenu noža.

### Očistite trimer nakon svake upotrebe.

### PODEŠAVANJE DUŽINE REZNE NITI

Glava trimera rukovaocu omogućuje otpuštanje više rezne niti bez zaustavljanja motora. Ako se rezna nit pohaba ili istroši, laganim dodirivanjem glave trimera o tlo tokom rukovanja trimenom moguće je otpustiti više niti (sl. Q).

**NAPOMENA!** Otpuštanje niti teže je kako se rezna nit

skraćuje.

**⚠ UPOZORENJE!** Nemojte uklanjati sklop noža za rezanje rezne niti ili ne obavljajte preinake na njemu. Prevelika dužina niti uzrokovat će pregrijavanje motora što može rezultirati teškim tjelesnim povredama.

### ZAMJENA REZNE NITI

**NAPOMENA!** Uvijek upotrebljavajte preporučenu najlonsku reznu nit prečnika ne većeg od 2,4 mm. Upotreba rezne niti drukčije od navedene može uzrokovati pregrijavanje ili oštećenje trimera.

**⚠ UPOZORENJE!** Nemojte nikada upotrebljavati metalom ojačane niti, žicu ili užu i sl. jer mogu se odlomiti i postati opasni projektili.

1. Izvadite komplet baterija.
2. Ako je potrebno, uklonite preostalu reznu nit.
3. Odrežite 4 m rezne niti i umetnite reznu nit u montažni provrt u ušici (sl. R). Provucite reznu nit i povlačite je s druge strane dok rezna nit ne bude iste dužine s obje strane kalema.
4. Pritisnite dok sklop donjeg poklopca okrećete u smjeru strelice kako biste reznu nit namotali na kalem tako da sa svake strane ostane oko 14 cm rezne niti (sl. S).
5. Gurnite sklop donjeg poklopca prema dolje pritom povlačeći reznu nit kako biste je ručno pomjerali prema naprijed i provjerili ispravnu montažu glave trimera.

Ako se rezna nit otkine na izlazu niti ili ako se rezna nit ne otpusti lupkanjem po glavi trimera, slijedite korake u nastavku:

1. Pritisnite jezičke za otpuštanje na gornjem poklopcu i uklonite sklop donjeg poklopca povlačeći ga ravno van (sl. T i U).
2. Izvadite reznu nit iz kalema.
3. Jednom rukom držite sklop gornjeg poklopca, drugom rukom uzмите sklop donjeg poklopca i poravnajte jezičke na gornjem poklopcu s provrtima u sklopu donjeg poklopca (sl. V); dlanom pritišćite sklop donjeg poklopca dok jezičci ne ulegnu u gornji poklopac.
4. Za ponovno namotavanje rezne niti pratite uputstva u odjeljku "ZAMJENA REZNE NITI".

### ZAMJENA TROKRAKOG NOŽA

1. Skinite sklop donjeg poklopca kako je prikazano na sl. T i U.
2. Umetnite stabilizator, a zatim pomoću udarnog ključa otpustite maticu kako je prikazano na sl. X1 i X2.
3. Uklonite sve dijelove osim unutrašnje priborice i

matice (sl. X3). Stavite nož na osovinu motora kako je prikazano na sl. X4.

4. Pritegnite nož kako je prikazano na sl. X5.

## ODRŽAVANJE

**⚠ UPOZORENJE!** Kada obavljate radove servisiranja, upotrebljavajte samo identične zamjenske dijelove. Redovno obavljajte pregled i održavanje uređaja. Radi osiguranja sigurnosti i pouzdanosti, sve popravke treba obavljati kvalifikovani servisni tehničar.

**⚠ UPOZORENJE!** Radi sprečavanja teških tjelesnih povreda, prije servisiranja, čišćenja, promjene priključaka ili uklanjanja materijala iz jedinice izvadite komplet baterija iz alata.

**⚠ OPREZ!** Zapreke u ventilacijskim otvorima spriječit će protok zraka u kućište motora i rezultirati pregrijavanjem ili oštećenjem motora.

## ČIŠĆENJE JEDINICE

- Jedinicu čistite vlažnom krpom i blagim deterdžentom. Nemojte nikada dozvoliti da tekućina dospije u alat i nemojte nikada uranjati dijelove alata u tekućinu.
- Za čišćenje plastičnog kućišta ili rukohvata nemojte upotrebljavati jake deterdžente jer mogu ih oštetiti neka aromatična ulja, kao što su borovo i limunovo ulje i rastvori kao što je kerozin. Vлага može izazvati opasnost od strujnog udara. Vlažna mjesta obrišite mekanom suhom krpom.
- Za čišćenje zračnih ventilacijskih otvora na stražnjem kućištu upotrebljavajte malu četku ili ispuštanje zraka iz male četke usisivača.
- Zračne ventilacijske otvore u kućištu motora cijelo vrijeme održavajte čistim od naslaga.

## PODMAZIVANJE PRIJENOSNIKA

Prijenosnike u kućištu potrebno je povremeno podmazivati mašću za prijenosnike. Nivo masti u kućištu prijenosnika provjeravajte svakih 50 radnih sati uklanjanjem brtvenog vijka na strani kućišta.

Ako se na bočnim stranama prijenosnika ne vidi mast, za punjenje s mašću za prijenosnike do 3/4 zapremine pratite korake u nastavku. Prijenosnik nemojte puniti u cijelosti.

1. Držite trimmer s reznom niti na njegovoj bočnoj strani tako da brtveni vijak bude usmjeren prema gore (sl. W).
2. Za otpuštanje i uklanjanje brtvenog vijka upotrijebite isporučeni višefunkcijski ključ.
3. Za ubrizgavanje masti u provrt za vijke upotrebljavajte

mazalicu (nije u sadržaju isporuke); nemojte prekoračivati 3/4 zapremine.

4. Brtveni vijak pritegnite nakon ubrizgavanja.

## SKLADIŠTENJE JEDINICE

- Izvadite komplet baterija iz trimera s reznom niti kada ga ne upotrebljavate.
- Alat dobro očistite prije skladištenja.
- Jedinicu skladištite na suhom, dobro prozračenom mjestu koje je moguće zaključati ili koje je na visini van dohvata djece. Jedinicu nemojte skladištiti na gnojivima, benzinu ili drugim hemikalijama ili u njihovoj blizini.

## Zaštita životne sredine



Električnu opremu, iskorištenu bateriju i punjač ne odlažite u kućni otpad! Ovaj proizvod odnesite u ovlašteni centar za reciklažu i time omogućite odvojeno sakupljanje. Električne alate potrebno je vratiti u ekološki prihvatljiv pogon za reciklažu.

## OTKLANJANJE PROBLEMA

| PROBLEM   | UZROK  | RJEŠENJE  |
|---|--|---|
| Trimer s reznom nije moguće pokrenuti.            | <ul style="list-style-type: none"> <li>■ Komplet baterija nije pričvršćen na trimer.</li> <li>■ Nema električnog kontakta između trimera i baterije.</li> <li>■ Komplet baterija je ispražnjen.</li> <li>■ Dugme za deblokadu i okidač ne pritišću se istovremeno.</li> </ul>  | <ul style="list-style-type: none"> <li>■ Pričvrstite komplet baterija na trimer.</li> <li>■ Izvadite bateriju, provjerite kontakte i ponovo stavite komplet baterija.</li> <li>■ Napunite komplet baterija.</li> <li>■ Pritisnite dugme za deblokadu i držite ga pritisnutom, a zatim pritisnite okidač kako biste uključili trimer s reznom niti.</li> </ul>   |
| Trimer s reznom niti zaustavlja se tokom rezanja. | <ul style="list-style-type: none"> <li>■ Štitnik nije postavljen na trimer, što rezultira predugačkom reznom niti i preopterećenjem motora.</li> <li>■ Upotrebljava se teška rezna nit.</li> <li>■ Osovinu motora ili glavu trimera blokira trava.</li> <li>■ Motor je preopterećen.</li> <li>■ Komplet baterija ili trimer s reznom niti je previše vruć.</li> <li>■ Komplet baterija je odspojen od alata.</li> <li>■ Komplet baterija je ispražnjen.</li> </ul> | <ul style="list-style-type: none"> <li>■ Izvadite komplet baterija i postavite štitnik na trimer.</li> <li>■ Upotrebljavajte preporučenu najlonsku reznu nit prečnika ne većeg od 2,4 mm.</li> <li>■ Zaustavite trimer, izvadite bateriju i očistite travu s osovine motora i glave trimera.</li> <li>■ Očistite glavu trimera od trave. Motor će se vratiti po uklanjanju opterećenja. Glavu trimera prilikom rezanja pomjerajte u travu i iz trave i jednim rezom ne uklanjajte više od 20 cm dužine.</li> <li>■ Pričekajte da se komplet baterija ili trimer ohladi na temperaturu ispod 67 °C.</li> <li>■ Ponovo stavite komplet baterija.</li> <li>■ Napunite komplet baterija.</li> </ul> |
| Glava trimera ne izvlači reznu nit.               | <ul style="list-style-type: none"> <li>■ Osovinu motora ili glavu trimera blokira trava.</li> <li>■ Na kalemu nema dovoljno rezne niti.</li> <li>■ Glava trimera je zaprljana.</li> <li>■ Rezna nit se zapetljala na kalem.</li> <li>■ Rezna nit je prekratka.</li> </ul>  | <ul style="list-style-type: none"> <li>■ Zaustavite trimer, izvadite bateriju i očistite osovinu motora i glavu trimera.</li> <li>■ Izvadite bateriju i zamijenite reznu nit; slijedite uputstva u poglavlju "ZAMJENA REZNE NITI" u ovom uputstvu za upotrebu.</li> <li>■ Izvadite bateriju i očistite glavu trimera.</li> <li>■ Izvadite bateriju, uklonite reznu nit iz glave trimera i ponovo je namotajte; slijedite uputstva u poglavlju "PONOVO NAMOTAVANJE REZNE NITI" u ovom priručniku.</li> <li>■ Izvadite bateriju i rukom povucite rezne niti dok naizmjenično pritišćete i otpušate glavu trimera.</li> </ul>  |



| PROBLEM   | UZROK  | RJEŠENJE   |
|---|--|--|
| Trava se omotava oko glave trimera i kućišta motora.                                | <ul style="list-style-type: none"><li>■ Visoka trava reže se od nivoa tla.</li></ul> | <ul style="list-style-type: none"><li>■ Visoku travu režite odozgo prema dolje i pritom ne režite više od 20 cm u svakom prolazu kako biste izbjegli omotavanje.</li></ul> |
| Pukotine na glavi trimera ili se sklop donjeg poklopca otpustio s gornjeg poklopca. | <ul style="list-style-type: none"><li>■ Glava trimera je istrošena.</li></ul>        | <ul style="list-style-type: none"><li>■ Neposrednu zamjenu glave trimera prepustite kvalifikovanom servisnom tehničaru.</li></ul>  |

## GARANCIJA

### POLITIKA GARANCIJE PROIZVOĐAČA EGO

Za sve odredbe i uslove politike garancije proizvođača EGO posjetite internetsku stranicu [egopowerplus.com](http://egopowerplus.com).

## קראו את כל ההוראות!

## סימני בטיחות

קראו את מדריך ההוראות



**⚠ אזהרה:** סיכון שיורי! אנשים בעלי מכשירים חשמליים כגון קוצבי לב, צריכים להתייעץ עם הרופא(ים) המטפל(ים) בהם לפני השימוש במכשיר זה. הפעלה של ציוד חשמלי בקרבת קוצבי לב עלולה להפריע לפעולת הקוצב או אפילו להפסיק את פעולתו.

**⚠ אזהרה:** הפעלה של כלי עבודה חשמליים עלולה לגרום לעצמים זרים להיזרק אל תוך העיניים, דבר העלול לגרום לנזק חמור לעיניים. לפני ההפעלה של כלי עבודה חשמלי, ענדו תמיד משקפי מגן או משקפי בטיחות עם הגנה צדדית, ובעת הצורך, הגנה עבור כל הפנים. אנו ממליצים על שימוש במסכת בטיחות רחבה מעל למשקפי המגן או על שימוש במשקפי בטיחות עם הגנה צדדית. התראת בטיחות



התראת בטיחות



על מנת להפחית את הסיכון לפציעות, על המשתמש לקרוא את המדריך למשתמש.



לבשו מגני עיניים-חבשו תמיד משקפי מגן או משקפי בטיחות עם הגנה צדדית, ובעת הצורך, הגנה עבור כל הפנים, בעת הפעלת מוצר זה.



לבשו נעליים בטוחות-נעלו נעליים בטוחות שאינן מחליקות בעת השימוש בציוד.



לבשו מגני אוזניים-השתמשו תמיד במגני אוזניים בעת הפעלת מוצר זה.



לבשו כפפות מגן-הגנו על ידיכם עם כפפות בעת הטיפול בלהב או במגן הלהב.



לבשו מגני ראש-חבשו קסדת בטיחות מאושרת על מנת להגן על ראשכם.



היו זהירים מנעיצת הלהב-זהירו את המפעיל מפני סכנה של נעיצת להב.



ין להתקין להבי חיתוך עגולים.



קוטר-קוטר חוט החיתוך מניילון



רוחב-רוחב החיתוך המקסימלי של חוט הגוזם



עצמים עלולים להיזרק ולגרום לפציעה אישית או לנזק לרכוש. וודאו שאנשים אחרים וחיות מחמד נמצאים רחוק ממכסחת הדשא בעת השימוש בה.



וודאו שאנשים אחרים וחיות מחמד נמצאים במרחק של לפחות 15 מ' מגוזם החוט בעת השימוש בו.



אין להשתמש במזג אוויר גשום או להשאיר בחוץ בגשם.



רמת עוצמת קול מובטחת. פליטת רעש אל הסביבה בהתאם לתקנת האיחוד האירופי.



מוצר זה תואם לתקנות ה-CE הרלוונטיות.



אין לזרוק מוצרים חשמליים ביחד עם אשפה ביתית. הביאו את המכשיר למרכז מחזור מוסמך.



מתח

n<sub>0</sub>

מהירות ללא עומס-מהירות סיבובית, ללא עומס

.../min

לדקה



זרם ישיר

kg

קילוגרם

|  |                             |  |  |
|--|-----------------------------|--|--|
|  | הב בעל 3 שיניים             | ראש הגוזם  |  |
|  | 56 V ---                    | 56 V ---   |  |
| טמפרטורת הפעלה מומלצת:                                       | 0°C-40°C                    |  |  |
| טמפרטורת אחסון מומלצת:                                       | -20°C-70°C                  |  |  |
| טמפרטורת טעינה אופטימלית                                     | 5°C-40°C                    |  |  |
| מהירות ללא עומס  | 5000/6000 דקות <sup>1</sup> | 5000/6000 דקות <sup>1</sup>                                  |  |
| סוג חוט חיתוך  | /                           | 2.4 מ"מ  |  |
| להב חיתוך  | ABB1203                     | /  |  |
| רוחב חיתוך   | 30 ס"מ                      | 38 ס"מ   |  |
| משקל (ללא מארז סוללה)  | 4.21 kg                     | 4.21 kg  |  |
| רמת עוצמת קול נמדדת L <sub>WA</sub>                          | 96.5 dB(A)<br>K=1.88 dB(A)  | 94.6 dB(A)<br>K=1.8 dB(A)                                    |  |
| רמת לחץ קול באוזן המפעיל L <sub>PA</sub>                     | 76.5 dB(A)<br>K=3 dB(A)     | 81.7 dB(A)<br>K=2,5 dB(A)                                    |  |
| רמת עוצמת קול מובטחת L <sub>WA</sub> (נמדדת על פ 2000/14/EC) | 98 dB(A)                    | 96 dB(A)   |  |
| רטט a <sub>p</sub> דית אחורית                                | ידית עזר קדמית              | 2.8 מ' / שנייה <sup>2</sup><br>k=1.6 מ' / שנייה <sup>2</sup> | 3.2 מ' / שנייה <sup>2</sup><br>k=1.5 מ' / שנייה <sup>2</sup> |
|  | דית אחורית                  | 3.1 מ' / שנייה <sup>2</sup><br>k=1.6 מ' / שנייה <sup>2</sup> | 2.3 מ' / שנייה <sup>2</sup><br>k=1.5 מ' / שנייה <sup>2</sup> |

- ערך הרטט הכללי המוצהר נמדד בהתאם לשיטת בדיקה סטנדרטית וניתן להשתמש בו על מנת להשוות ציוד אחד עם ציוד אחר;
- ניתן להשתמש בערך הרטט הכללי המוצהר בהערכה ראשונית של חשיפה.

**הודעה:** פליטת הרטט בעת השימוש המעשי בכלי יכולה להיות שונה מן הערך המוצהר כאשר הכלי נמצא בשימוש; על מנת להגן על המפעיל, על המשתמש ללבוש כפפות ומגני אוזניים בעת השימוש למעשה.

## תיאור

הכירו את גוזם החוט שלכם (תמונה A1)  
1. טבעת סף

- הדק
- ידית אחורית
- פתיח כניסת אוויר
- כפתור נעילה
- מתג מהירות-מהיר/איטי
- מתלה הרכבת רצועת הכתף
- ידית עזר קדמית ניתנת לכוונן
- רצועת כתף
- מפתח ברגים רב שימושי
- מפתח משושה
- ראש גוזם (ראש בליטה)
- חוט חיתוך
- לשונית שחרור
- להב לחיתוך חוט
- מגן
- מנגנון פליטה
- חיבורים חשמליים
- בריה
- לוחית מגן מגומי
- כפתור שחרור סוללה
- בריה מחסום בטיחות (עבור ראש גוזם מברשת בלבד)
- מוט נעילה עבור בריח מחסום הבטיחות (עבור ראש גוזם מברשת בלבד)
- גליל חיצוני (עבור ראש גוזם מברשת בלבד)
- אום (עבור ראש גוזם מברשת בלבד)
- ברגים (עבור ראש גוזם מברשת בלבד)

## רשימת אריזה

| שם חלק               | כמות |
|----------------------|------|
| גוזם חוט             | 1    |
| מגן                  | 1    |
| הרכבת ידית עזר קדמית | 1    |
| מפתח משושה           | 1    |
| מפתח ברגים רב שימושי | 1    |
| רצועת כתף            | 1    |
| מדריך למפעיל         | 1    |
| מוט נעילה            | 1    |
| גליל חיצוני          | 1    |
| אום                  | 1    |
| בורג                 | 2    |

## הרכבה

### הרכבת המגן

- שחררו והסירו את שני הברגים מהמגן (איור B).

HE

211

**גזיזום:** בשימוש להסרת דשא ועשבים כנגד קירות, גדרות, עצים ושוליים.  
**חיתוך:** בשימוש לחיתוך דשא אשר קשה להגיע אליו עם מכסחות דשא רגילות.

**הודעה:** יש להשתמש במכשיר רק עבור המטרות להן הוא יועד. כל שימוש אחר, לדוגמה גזיזום קצוות, ייחשב לשימוש בלתי הולם.

## הצמדה/הסרה של מארז הסוללה

A2 השתמשו רק עם מארזי הסוללה והמטענים הרשומים באיור

## הטעינו לפני השימוש הראשון

### על מנת להצמיד

יישרו את עורקי הסוללה עם חריצי ההרכבה ולחצו את מארז הסוללה כלפי מטה עד אשר יישמע „קליק” (איור K).

### על מנת להסיר

לחצו על כפתור שחרור הסוללה ומשכו את מארז הסוללה החוצה כפי שניתן לראות באיור L.

|     |                    |
|-----|--------------------|
| L-1 | כפתור שחרור הסוללה |
|-----|--------------------|

## החזקת גוזם החוט

עבור הפעלה טובה ובטוחה יותר, העבירו את רצועת הכתף מעל לכתף בהתאם לתמונה N. כווננו את הרצועה לעמדת הפעלה נוחה. החזיקו את חוט הגוזם עם שתי הידיים: יד אחת על הידיית האחורית והיד השנייה על ידיית העזר הקדמית.

**הודעה:** ראש הגוזם מקביל לקרקע במרחק חיתוך מתאים מבלי שהמפעיל יתכופף (איור N).  
 יישן שתי דרכים לשחרר את הרצועה. הסירו אותה מן הכתף באופן ישיר (O) או לחצו על וו הרצועה והסירו אותה ממתלה ההרכבה של רצועת הכתף המחובר לקת (איור P).

**⚠ אזהרה:** רצועת הכתף מהווה גם מנגנון שחרור מהיר במצב מסוכן. במצב חירום, הסירו אותה מיד מהכתף, ללא קשר לדרך בה היא חוברה.

## הרכבה וכוונון של ידיית העזר הקדמית

1. שחררו את מוט הנעילה בידיית העזר הקדמית והסירו את מוט הנעילה ואת אום הפרפר מידיית העזר הקדמית (איור D).

**הודעה:** התקינו את חיבור בריח מחסום הבטיחות אל ידיית הלולאה בעזרת שני הברגים כאשר המכשיר מצויד בראש גוזם מברשת.

**הודעה:** קיימים שני סוגים של מוטות נעילה, הקצר יותר מיועד לשימוש עם ראש הגוזם. הארוך יותר מיועד לשימוש עם ראש גוזם המברשת. היו זהירים בבחירת מוט הנעילה המתאים בעת השימוש במכשיר.

|     |  |     |                 |
|-----|--|-----|-----------------|
| D-4 | בריח מחסום בטיחות (עבור ראש גוזם מברשת בלבד) | D-1 | ידיית עזר קדמית |
| D-5 | מוט נעילה                                    | D-2 | בלוק הידוק      |
|     |  | D-3 | אום פרפר        |

- דחפו את הידיית הקדמית אל המוט בחלק הקדמי של טבעת הסף. לעולם אל תניחו אותה בין טבעת הסף ואזור הידיית האחורית (איור E).
- הכניסו את בלוק הידוק אל חריץ הידיית (איור F).
- הרכיבו את מוט הנעילה, והדקו אותם קלות עם בורג הפרפר. וודאו שידיית העזר הקדמית פונה כלפי מעלה ומצביעה לכיוון החלק העליון של הידיית האחורית (איור G).
- כווננו את ידיית העזר הקדמית בין טבעת הסף והתווית על מנת להבטיח שהידיית הקדמית שלכם ישרה בעת ההפעלה (איור H).
- נעלו את הידיית של מוט הנעילה. (איור I).

**⚠ אזהרה:** לא ניתן יהיה להשתמש בכלי ללא ידיית העזר הקדמית קבועה במקומה בבטחה.

## הרכבת רצועת הכתף

לחצו על וו הרצועה כדי לפתוח אותה וחברו אותו על מתלה הרכבת רצועת הכתף (איור J).

## הפעלה

**⚠ אזהרה:** חבשו תמיד משקפת מגן או משקפי מגן עם הגנה צדדית ביחד עם הגנה לאוזניים. אם לא תעשו זאת עצמים עלולים להיזרק אל תוך העיניים שלכם ועלולות להיגרם פציעות חמורות אחרות.

אתם יכולים להשתמש במוצר רק עבור המטרות להלן:

המנוע והדבר עלול לגרום לפציעה אישית חמורה.

### החלפת חוט החיתוך

**הודעה:** השתמשו בחוט החיתוך המתאים מניילון עם היקף אשר לא יעלה על 2.4 מ"מ. שימוש בחוט חיתוך אחר מאשר חוט החיתוך המצוין עלול לגרום לחימום יתר של גוזם החוט או לנזקים נוספים.

**⚠ אזהרה:** לעולם אל תשתמשו בחוט המחוזק במתכת, תיל או חבל וכד'. דברים אלו עלולים להתנתק מן הגוזם ולהוות סכנה.

1. הסירו את מארז הסוללה.
2. הסירו את חוט החיתוך הנוטר, אם יש צורך בכך.
3. חתכו 4 מ' של חוט חיתוך והכניסו את החוט אל חור ההרכבה בתוך העינית (איור R). דחפו ומשכו את החוט מן הצד השני עד אשר אורכים דומים של חוט נמצאים משני צדדי הסליל.
4. לחצו, בעוד אתם מסובבים את מכסה ההרכבה התחתון בכיוון החץ, על מנת ללפף את החוט מסביב לסליל עד אשר בערך 14 ס"מ של חוט נשארו בכל צד (תמונה S). לחצו על המכסה ההרכבה התחתון כלפי מטה בעוד אתם מושכים את החוטים באופן ידני על מנת לקדם את החוט ולבדוק אם ראש הגוזם הורכב באופן נכון.

כאשר חוט החיתוך יוצא ממיציאת החוט או כאשר חוט החיתוך אינו משתחרר בלחיצה על ראש הגוזם, עקבו אחר הצעדים הבאים:

1. לחצו על לשוניות השחרור על המכסה העליון והסירו את מכסה ההרכבה התחתון על ידי משיכתו החוצה בקו ישר (איור T ו-U).
2. הסירו את חוט החיתוך מן הסליל.
3. עם יד אחת המחזיקה את מכלול המכסה התחתון, השתמשו ביד השנייה כדי לאחוז במכלול המכסה התחתון ויישרו את הלשוניות על המכסה העליון אל החורים במכלול ההרכבה התחתון (איור V); השתמשו בכף היד שלכם על מנת ללחוץ על מכלול המכסה התחתון עד אשר הלשוניות ננעלות עם המכסה העליון.
4. עקבו אחר ההוראות בחלק «החלפת חוט החיתוך» על מנת להטעין מחדש את חוט החיתוך.

### להב מתכת חלופי בעל 3 שיניים

1. הסירו את מכלול המכסה התחתון כמוצג באיור T ו-U.
2. הכניסו את המייביב וזא השתמשו במפתח אימפקט שקע כדי לשחרר את האו כמו באיור X1 ו-X2.
3. הסירו את כל החלקים מלבד הגליל הפנימי והאום (איור X3), הרכיבו את הלהב על מוט המנוע כמוצג באיור X4.
4. הדקו את הלהב כמוצג באיור X5.

### הפעלה/כיבוי של גוזם החוט (איור M)

#### להפעלה

לחצו על דוושת הנעילה כלפי מטה ושחררו את ההדק, תוצאה של לחץ שונה על ההדק תהיה מהירויות סיבוב שונות של חוט החיתוך. ככל שהלחץ יהיה גבוה יותר, המהירות תהיה גבוהה יותר.

#### לכיבוי

שחררו את ההדק.

**הודעה:** המנוע פועל רק כאשר כפתור הנעילה וההדק לחוצים שניהם.

### פונקציית כונון מהירות (איור M)

לגוזם החוט יש שתי מהירויות. מצב „1” הוא למהירות נמוכה ומצב „2” למהירות גבוהה.

|     |                      |
|-----|----------------------|
| M-1 | מתג מהירות-מהיר/איטי |
| M-2 | כפתור נעילה          |
| M-3 | הדק                  |

### השימוש בגוזם החוט

נקו את האזור שיש לגוזם לפני כל שימוש. הסירו עצמים כגון סלעים, שברי זכוכית, מסמרים, חוטים או כבלים העלולים להיזרק או להיתפס באבזר החיתוך. וודאו שאין ילדים, עוברי אורח ובעלי חיים באזור. כמינימום, שימרו על כל הילדים, עוברי האורח ובעלי החיים במרחק של לפחות 15 מ'; עדיין יכול להיות סיכון לעוברי אורח מעצמים נזרקים. יש לעודד עוברי אורח לחבוש אמצעי הגנה על העיניים. אם אתם רואים מישהו מתקרב, עצרו את המנוע ואת אבזר החיתוך מיד.

### לפני כל שימוש, בדקו לאיתור חלקים בלויים/פגומים

בדקו את ראש הבליטה, את המגן ואת ידית העזר הקדמית והחליפו את החלקים הסדוקים, המלופפים, המעוקלים או הפגומים בכל צורה שהיא. להב חוט החיתוך בקצה המגן הופך להיות קהה עם הזמן. מומלץ להשחזרו באופן קבוע בעזרת פצירה או להחליפו בלהב חדש.

### לאחר כל שימוש, נקו את הגוזם.

### כונון אורך חוט החיתוך

ראש הגוזם מאפשר למפעיל לשחרר יותר חוט חיתוך ללא עצירת המנוע. כאשר חוט החיתוך הופך להיות משופשף או מראה סימני בלאי, ניתן לשחרר חוט חיתוך נוסף על ידי לחיצה קלה של ראש הגוזם על הקרקע בעת הפעלת הגוזם (איור Q).

**הודעה:** שחרור החוט יתרחש קשה יותר ככל שחוט החיתוך יתרחק להיות קצר יותר.

**⚠ אזהרה:** לעולם אל תסירו או תשנו את מערך להב חוט החיתוך. חוט חיתוך ארוך מדי יגרום לחימום יתר של

## תחזוקה

**⚠ אזהרה:** במקרה של עבודות תיקון, השתמשו רק בחלקי חילוף זהים. בדקו ותחזקו את המכשיר באופן סדיר. על מנת להבטיח בטיחות ואמינות, יש לבצע את כל התיקונים וההחלפות בעזרת טכנאי שירות מוסמך.

**⚠ אזהרה:** על מנת למנוע פציעות אישיות חמורות, הסירו את מארז הסוללה מן הכלי לפני ביצוע כל עבודות שירות, ניקיון, החלפת צרופות או תוספות, או הסרה של חומרים מן היחידה.

**⚠ זהירות:** מחסומים בפתחי האוורור ימנעו מן האוויר לזרום אל תוך המנוע והתוצאה תהיה חימום יתר או נזקים למנוע.

## ניקיון היחידה

- נקו את היחידה בעזרת מטלית לחה עם סבון עדין. לעולם אל תרשו לנוזלים להיכנס אל תוך הכלי; לעולם אל תטבילו כל חלק של המכשיר בתוך נוזלים.
- אל תעשו שימוש בחומרי ניקוי חזקים על תא הפלסטיק או על גבי הידית. עלול להיגרם להם נזק על ידי שמנים ארומטיים למיניהם, כגון אורן ולימון, ועל ידי ממסים כגון נפט. לחות עלולה גם לגרום לסכנת שוק חשמלי. נקו כל לחות בעזרת מטלית רכה ויבשה.
- עשו שימוש במברשת קטנה או במברשת עם זרם האוויר של שאב אבק קטן על מנת לנקות את פתחי האוויר על התא האחורי.
- שימרו על פתחי האוורור בתא המנוע נקיים מפני חלקי אשפה.

## שימון הילוכי התמסורת

יש לשמן את הילוכי התמסורת בתיבת הילוכים באופן קבוע עם שמן גיר. בדקו את מפלס שמן הגיר מידי 50 שעות של הפעלה על ידי הסרת בורג האיטום שבצד התיבה.

אם לא ניתן לראות שמן על צדי הילוכים, בצעו את השלבים הבאים כדי למלא את שמן הגיר עד 3/4 מהקיבולת. אין למלא את הילוכי התמסורת במלואם.

1. החזיקו את גוזם החוט על צידו כך שבורג האיטום פונה כלפי מעלה (איור W).
2. השתמשו במפתח הברגים הרב שימושי המצורף כדי לשחרר ולהוציא את בורג האיטום.
3. השתמשו במזרק שמן (לא מצורף) כדי להזריק חלק מהשמן לחור הבורג, אל תמלאו יותר מ-3/4 מהקיבולת.
4. הדקו את בורג האיטום לאחר ההזרקה.

## אחסון היחידה

- הסירו את מארז הסוללה מן הגוזם כאשר לא נעשה בו שימוש.
- נקו את היחידה ביסודיות לפני אחסונה.
- אחסנו את היחידה במקום יבש, מאוורר היטב, נעולה או במקום גבוה, הרחק מהישג ידם של ילדים. אל תאחסנו את היחידה קרוב לחומרי דשן, חומרי דלק או כימיקלים אחרים.

## הגנה על הסביבה

אל תיזרקו ציוד חשמלי, מטעני סוללות וסוללות ביחד עם אשפה ביתית! קחו מוצרים אלו למרכז מחזור מוסמך ו-וודאו שהם זמינים לאיסוף בנפרד. יש להחזיר כלים חשמליים אל מתקן מחזור המתאים לסביבה.



## איתור וטיפול בבעיות

| פתרון  | סיבה   | בעיה  |
|--|--|---|
| <ul style="list-style-type: none"> <li>הצמידו את מארז הסוללה אל הגוזם.</li> <li>הסירו את הסוללה, בדקו את החיבורים והתקינו מחדש את מארז הסוללה.</li> <li>הטעינו את מארז הסוללה.</li> <li>לחצו על כפתור הנעילה כלפי מטה והחזיקו אותו, לאחר מכן שחררו את ההדק על מנת להפעיל את גוזם הדשא.</li> </ul>  | <ul style="list-style-type: none"> <li>מארז הסוללה איננו מחובר לגוזם.</li> <li>לא מתבצע חיבור חשמלי בין הגוזם לסוללה.</li> <li>קיבולת מארז הסוללה ריקה.</li> <li>כפתור הנעילה וההדק אינם לחוצים בו זמנית.</li> </ul>   | <p>לא ניתן להפעיל את גוזם החוט.</p>         |
| <ul style="list-style-type: none"> <li>הסירו את מארז הסוללה והרכיבו את המגן על גבי גוזם הדשא.</li> <li>השתמשו בחוט החיתוך המומלץ מניילון עם היקף חוט אשר לא יעלה על 2.4 מ"מ.</li> <li>הפסיקו את פעולת הגוזם, הסירו את הסוללה והסירו את הדשא ממוט המנוע ומראש הגוזם.</li> <li>הסירו את ראש הגוזם מן הדשא. המנוע יחזור לפעילות רגילה ברגע בו העומס יוסר. בעת החיתוך, הזיזו את ראש הגוזם אל הדשא וממנו על מנת לחתוך והסירו לא יותר מ-20 ס"מ אורך בחיתוך יחיד.</li> <li>אפשרו למארז הסוללה או לגוזם להתקרר עד לטמפרטורה של פחות מ-67 °C.</li> <li>התקינו מחדש את מארז הסוללה.</li> <li>הטעינו את מארז הסוללה.</li> </ul> | <ul style="list-style-type: none"> <li>המגן איננו מורכב על גבי הגוזם, כאשר התוצאה היא חוט חיתוך ארוך מדי ועומס יתר על המנוע.</li> <li>נעשה שימוש בחוט חיתוך כבד מדי.</li> <li>מוט המנוע או ראש הגוזם מלאים בדשא.</li> <li>קיים עומס יתר על המנוע.</li> <li>מארז הסוללה או גוזם הדשא חמים מדי.</li> <li>מארז הסוללה מנותק מן המכשיר.</li> <li>קיבולת מארז הסוללה ריקה.</li> </ul> | <p>וט הגוזם מפסיק את פעולתו בעת החיתוך.</p> |

| פתרון   | סיבה   | בעיה   |
|---|--|--|
| <ul style="list-style-type: none"> <li>הפסיקו את פעולת הגוזם, הסירו את הסוללה ונקו את מוט המנוע ואת ראש הגוזם.</li> <li>הסירו את הסוללה, החליפו את חוט החיתוך; עקבו אחר ההוראות בחלק «החלפת קו החיתוך» הנמצא במדריך זה.</li> <li>הסירו את הסוללה ונקו את ראש הגוזם.</li> <li>הסירו את הסוללה, הסירו את חוט החיתוך מראש הגוזם ולפפו מחדש, עקבו אחר ההוראות בחלק «טעינה מחדש של חוט החיתוך» הנמצא במדריך זה.</li> <li>הסירו את הסוללה ומשכו את החוטים באופן ידני כאשר באופן חלופי אתם לוחצים כלפי מטה ומשחררים את ראש הגוזם.</li> </ul> | <ul style="list-style-type: none"> <li>וט המנוע או ראש הגוזם מלאים בדשא.</li> <li>אין מספיק חוט על גבי הסליל.</li> <li>ראש הגוזם מלוכלך.</li> <li>חוט הסתבך בסליל.</li> <li>חוט החיתוך קצר מדי.</li> </ul> | ראש הגוזם איננו מקדם את החוט.  |
| <ul style="list-style-type: none"> <li>חתכו דשא גבוה מן החלק העליון כלפי מטה, כאשר אינכם מסירים יותר מ-20 ס"מ בכל מעבר על מנת למנוע ליפוף.</li> </ul>   | <ul style="list-style-type: none"> <li>גיזום של דשא גבוה בגובה הקרקע.</li> </ul>   | הדשא מלופף סביב ראש הגוזם ותא המנוע.                                     |
| <ul style="list-style-type: none"> <li>חליפו את ראש הגוזם מיד בעזרת טכנאי המוסמך לכך.</li> </ul>  | <ul style="list-style-type: none"> <li>ישנם סימני בלאי על ראש הגוזם.</li> </ul>  | סדקים על ראש הגוזם או על מכסה ההרכבה התחתון משתחררים ביחד מהמכסה העליון. |

## אחריות

### מדיניות האחריות של EGO

אנא בקרו באתר [egopowerplus.com](http://egopowerplus.com) עבור התנאים וההתניות השלמים של מדיניות האחריות של EGO.



## اقرأ جميع التعليمات!

## رموز السلامة



اقرأ دليل التشغيل



**تحذير:** خطر زائد! الأشخاص الذين تم تركيب أجهزة طبية الكترونية لهم، مثل منظم ضربات القلب، يجب عليهم استشارة الطبيب قبل استخدام هذا المنتج. لأن تشغيل معدات كهربائية بالقرب من منظم ضربات القلب قد ينشأ عنه خلل أو فشل في أداء منظم ضربات القلب.



تنبيه سلامة



ارتد أدوات حماية العينين-ارتد دائمًا نظارات الحماية المزودة بواقبات على الجانبين، وينبغي ارتداء واقى لكامل الوجه أثناء تشغيل هذا المنتج.



ارتد أدوات حماية الأذنين-احرص دائمًا على ارتداء أدوات حماية الأذنين عند تشغيل هذا المنتج.



ارتد أدوات حماية الرأس-احرص على ارتداء خوذة أمان صلبة معتمدة لحماية رأسك.



لا تقم بتركيب شفرات جزّ مستديرة.



عرض الجزّ-الحد الأقصى لعرض جزّ الجزّارة العاملة بالخيط



احرص على بقاء الأشخاص الآخرين والحيوانات الأليفة على مسافة لا تقل عن 15 مترًا بعيدًا عن الجزّارة العاملة بالخيط أثناء استخدامها.



مستوى قوة الصوت المضمون. انبعاثات الضوضاء في البيئة وفقًا لتوجيه الاتحاد الأوروبي.



لا يجب التخلص من الأجهزة الكهربائية المستهلكة في النفايات المنزلية. توجه بالجهاز إلى مركز إعادة تدوير معتمد.

n<sub>0</sub>

السرعة بدون حمل سرعة الدوران، بدون حمل



تيار مستمر



للحد من خطر التعرض لإصابة، ينبغي على المستخدم قراءة دليل التشغيل.



ارتد حذاء الحماية-احرص على ارتداء أحذية أمان مائعة للارتداء عند استخدام هذه الآلة.



ارتد قفازات الحماية-احرص على ارتداء قفازات لليدين عند التعامل مع الشفرة أو الواقي الخاص بها.



احذر من قوة انفراج الشفرة-حذّر مشغل الآلة من خطر قوة انفراج الشفرة.



قطر الخيط-قطر خيط الجزّ المصنوع من النايلون



فالأشياء المتطايرة من الآلة قد ترتد وتؤدي إلى إصابات شخصية أو تلف للممتلكات. احرص على بقاء الأشخاص الآخرين والحيوانات الأليفة بعيدًا عن قاطع الأغصان أثناء استخدامه.



لا تستخدم المنتج تحت المطر أو أن تتركه في مكان مفتوح أثناء هطول المطر.



هذا المنتج متوافق مع توجيهات شهادة الجودة الأوروبية (CE) المعمول بها.

V

الجهد الكهربائي

.../min

في الدقيقة

kg

كيلوجرام

## المواصفات

|  |                              |   |
|--|------------------------------|---|
|  | شفرة ثلاثية الأسنان          | رأس الجزارة   |
|  | 56 فولت                      | 56 فولت   |
|  | الجهد الكهربائي              |   |
|  | 0 - 40 درجة مئوية            | درجة حرارة التشغيل الموصى بها                                 |
|  | 20 - 70 درجة مئوية           | درجة حرارة التخزين الموصى بها                                 |
|  | 5 - 40 درجة مئوية            | درجة حرارة الشحن المثالية                                     |
|  | 6000/5000 دقيقة <sup>1</sup> | 6000/5000 دقيقة <sup>1</sup>                                  |
|  | 2.4 م                        | نوع خيط الجرز   |
|  | ABB1203                      | شفرة القطع  |
|  | 30 سم                        | عرض الجرز   |
|  | 4.45 كجم                     | الوزن (بدون وحدة البطارية)                                    |
|  | 96.5 ديسيبل (A)              | مستوى قوة الصوت المقتر $L_{WA}$                               |
|  | 94.6 ديسيبل (A)              | مستوى ضغط الصوت عند أن مشغل الآلة $L_{PA}$                    |
|  | 98 ديسيبل (A)                | مستوى قوة الصوت المضمون $L_{WA}$ (وفقاً للمعيار (2000/14/EC)) |
|  | 2.8 م/ثانية <sup>2</sup>     | مقبض المساحة الأمامي  |
|  | 1.6=K م/ثانية <sup>2</sup>   | مقبض الخلفي   |
|  | 3.1 م/ثانية <sup>2</sup>     | مقبض الخلفي   |
|  | 1.6=K م/ثانية <sup>2</sup>   | مقبض الخلفي   |

- القيمة الكلية للاهتزاز الموضحة تم قياسها وفقاً لطريقة اختبار قياسية وقد تستخدم لمقارنة أداة بأخرى؛
- كما يمكن استخدام القيمة الكلية للاهتزاز الموضحة في التقييم التمهيدي للعرض.

**ملاحظة:** قد تختلف انبعاثات الاهتزاز أثناء الاستخدام الفعلي للألة العاملة بالطاقة عن القيمة المعلنة التي يتم استخدام الآلة فيها؛ ولحماية مشغل الآلة، ينبغي على المستخدم ارتداء قفازات وواقبات للأذن في ظروف الاستخدام الفعلية.

## الوصف

### تعرف على الجزارة العاملة بالخيط (الشكل A1)

- عتبة
- الزنناد
- المقبض الخلفي
- مدخل الهواء
- زر القفل
- مفتاح السرعة العالية/المنخفضة
- حمالة تثبيت شريط الكتف
- مقبض المساعدة الأمامي القابل للضبط
- شريط الكتف
- مفتاح ربط متعدد الوظائف
- مفتاح ربط سداسي (الأنكيه)
- رأس الجزارة (رأس المصدر)
- خيط الجرز
- لسان التحرير
- شفرة قطع الخيط
- الواقى
- آلية الإخراج
- الوصلات الكهربائية
- لسان
- حشوات مطاطية للحماية
- زر تحرير البطارية
- حاجز الأمان (لرأس قاطع الأغصان فقط)
- قضيب القفل لحاجز الأمان (لرأس قاطع الأغصان فقط)
- الشفة الخارجية (لرأس قاطع الأغصان فقط)
- صامولة (لرأس قاطع الأغصان فقط)
- مسامير (لرأس قاطع الأغصان فقط)

## قائمة المحتويات

| الكمية | اسم الجزء                     |
|--------|-------------------------------|
| 1      | الجزارة العاملة بالخيط        |
| 1      | الواقى                        |
| 1      | تجميعية مقبض المساعدة الأمامي |
| 1      | مفتاح ربط سداسي (الأنكيه)     |
| 1      | مفتاح ربط متعدد الوظائف       |
| 1      | شريط الكتف                    |
| 1      | دليل التشغيل                  |
| 1      | قضيب القفل                    |
| 1      | الشفة الخارجية                |
| 1      | صامولة                        |
| 2      | مسامير                        |

الموجودة عند الجدران والأسوار والأشجار والحدود.

**الجُرّ:** تستخدم في جُرّ العشب الذي يصعب الوصول إليه باستخدام جُرّاة عادية.

**ملاحظة:** يجب استخدام الآلة للعرض المحدد لها فقط. أي استخدام آخر، على سبيل المثال جُرّ الحواف، يعد حالة من حالات سوء الاستخدام.

## تركيب/خلع مجموعة البطارية

لا تستخدم الآلة إلا مع مجموعات البطارية والشواحن المدرجة في الشكل A2.

## اشحن البطارية بالكامل قبل الاستخدام لأول مرة.

### للتثبيت

قم بمحاذاة دعائم البطارية مع فتحات التركيب، واضغط على مجموعة البطارية لأسفل إلى أن تسمع صوت «نقرة» (الشكل K).

### للخلع

اضغط لأسفل على زر تحرير البطارية، واسحب مجموعة البطارية للخارج كما هو موضح في الشكل L.

زر تحرير البطارية

L-1

## إمسك الجُرّاة العاملة بالخيوط

للتشغيل بشكل أفضل وأكثر أمناً، ارتد شريط الكتف بحيث يمر عبر الكتف كما هو موضح في الشكل N. اضبط شريط الكتف على وضعية تشغيل مريحة. أمسك الجُرّاة العاملة بالخيوط بكنتا يديك: إحدى يديك على المقبض الخلفي، واليد الأخرى على مقبض المساعدة الأمامي.

**ملاحظة:** ينبغي أن يكون رأس الجُرّاة موازياً للأرض على مسافة جُرّ ملائمة دون اضطرار مشغل الآلة للانحناء (الشكل N).

هناك طريقتان لتحرير الشريط. اخلعه من على كتفك مباشرة (الشكل O) أو اضغط على خطاف الشريط وافصله من حمالة تثبيت شريط الكتف المثبتة على العمود (الشكل P).

**تحذير:** كما أن شريط الكتف مزود بالآلة التحرير السريع في المواقف الخطرة. عند حدوث طارئ، اخلعه عن كتفك على الفور، بغض النظر عن طريقة تثبيته.

## بدء تشغيل/إيقاف الجُرّاة العاملة بالخيوط (الشكل M)

### لبدء التشغيل

اضغط لأسفل على ذراع القفل، ثم اضغط مع التثبيت على الزناد. الضغط المختلف على الزناد يؤدي إلى سرعة دوران مختلفة لخيوط الجُرّ. حيث المزيد من الضغط، يؤدي لسرعة أعلى.

### للإيقاف

تحرير الزناد.

**ملاحظة:** لا يعمل المحرك إلا عند الضغط على زر القفل والزناد معاً.

## وظيفة ضبط السرعة (الشكل M)

الجُرّاة العاملة بالخيوط بها سرعتان. الوضع «1» للسرعة المنخفضة، بينما الوضع «2» للسرعة العالية.

## التجميع

### تركيب الواقي

1. فك المسامير من الواقي (الشكل B) واخلعهما.
2. قم بمحاذاة فتحات تركيب الواقي مع فتحات التجميع، ثم ثبت الواقي على قاعدة العمود بالمسامير، بالإضافة الوردتين الزنبركيتين (الشكل C).

**ملاحظة:** احرص على تثبيت الواقي وفقاً للشكلين B وC، لأن أي تثبيت يخالف ذلك قد يتسبب في مخاطر كبيرة!

### تركيب مقبض المساعدة الأمامي ووضبطه

1. فك قضيب القفل الموجود في مقبض المساعدة الأمامي، واخلع قضيب القفل والصامولة المنحفة من مقبض المساعدة الأمامي (الشكل D).

**ملاحظة:** قم بتركيب تجميعية حاجز الأمان على مقبض العروة بالمسامير عندما تكون الآلة مجهزة برأس قاطع الأغصان.

**ملاحظة:** هناك نوعان من قضيب القفل، الأقصر منهما مخصص للاستخدام مع رأس الجُرّاة. أما الأطول فمخصص للاستخدام مع رأس قاطع الأغصان. احذر من اختيار قضيب القفل غير المناسب عند استخدام الآلة.

|     |                       |     |                                     |
|-----|-----------------------|-----|-------------------------------------|
| D-1 | مقبض المساعدة الأمامي | D-4 | حاجز الأمان (لرأس قاطع الأغصان فقط) |
| D-2 | كتلة المشبك           | D-5 | قضيب القفل                          |
| D-3 | صامولة منحنية         |     |                                     |

2. ادفع المقبض الأمامي على العمود أمام العتبية. ولا تضعه أبداً بين العتبية ومنطقة المقبض الخلفي (الشكل E).

3. أدخل كتلة المشبك في فتحة المقبض (الشكل F).

4. ركب قضيب القفل، واربطه بشكل مسبق باستخدام الصامولة المنحفة. احرص على أن يكون مقبض المساعدة الأمامي متجهاً لأعلى ويشير إلى ناحية الجزء العلوي من المقبض الخلفي (الشكل G).

5. اضبط مقبض المساعدة الأمامي بين العتبية والملصق للتأكد من أن ذراعك الذي ستستخدمه مع المقبض ممتد على استقامته أثناء التشغيل (الشكل H).

6. اقلع ذراع قضيب القفل. (الشكل I).

**تحذير:** لا يمكن استخدام الآلة دون إحكام تثبيت مقبض المساعدة الأمامي.

### تركيب شريط الكتف

اضغط مع التثبيت على خطاف الشريط لفتحه، ثم ركه في حمالة تثبيت شريط الكتف (الشكل J).

## التشغيل

**تحذير:** احرص دائماً على ارتداء اقيات للعينين أو نظارات حماية مزودة بواقيات على الجانبين، بالإضافة إلى أدوات حماية الأذنين. قد ينجم عن عدم الامتثال لذلك دخول أشياء في عينيك، واحتمالية وقوع إصابات خطيرة.

يمكنك استخدام هذا المنتج للأغراض الموضحة أدناه:

**جُرّ السياج:** تستخدم الآلة في إزالة العشب والحشائش الضارة

|     |                               |
|-----|-------------------------------|
| M-1 | مفتاح السرعة العالية/المنخفضة |
| M-2 | زر القفل                      |
| M-3 | الزراند                       |

## استخدام الجرّازة العاملة بالخيوط

تنظف منطقة الجرّازة قبل كل استخدام للأداة. تخلص من جميع الأشياء مثل الصخور أو الزجاج المكسور أو المسامير أو الأسلاك أو الخيوط التي قد تتدخل في ملحق الجرّازة أو تعيقه. أبق المنطقة خالية من الأطفال والمرافقين والحيوانات الأليفة. على الأقل، اجعل الأطفال والمرافقين والحيوانات الأليفة على مسافة لا تقل عن 15 مترًا؛ فقد يكون هناك خطر تعرض المرافقين للأشياء المتطايرة. يجب تشجيع المرافقين على ارتداء أدوات حماية العينين. عند اقتراب أي شخص، أوقف المحرك وملحق الجرّازة على الفور.

## قبل كل استخدام، افحص الأجزاء التالفة/المتآكلة

افحص رأس المصد والواقي ومقبض المساعدة الأمامي، واستبدل الأجزاء المشققة أو المتلوية أو المتآكلة أو التالفة بأي شكل من الأشكال.

قد تصبح شفرة قطع الخيوط الموجودة على حافة الواقي غير حادة مع مرور الوقت. من الموصى به أن تقوم بشحذها من أن آخر باستخدام مربرد أو استبدالها بشفرة جديدة.

## تنظف الجرّازة بعد كل استخدام.

### تعديل طول خيوط الجرّازة

رأس الجرّازة يتيح للمشغل تحرير المزيد من خيوط الجرّازة دون إيقاف المحرك. بعد أن يصبح الخيوط منسلاً أو متهاكًا، يمكن تحرير خيوط إضافية عن طريق نفرة خفيفة برأس الجرّازة على الأرض أثناء تشغيل الجرّازة (الشكل Q).

**ملاحظة:** سيصبح تحرير الخيوط أكثر صعوبة عندما يصبح خيوط الجرّازة أقصر.

**تحذير:** لا تقم بخلع أو تعديل تجميع شفرة الجرّازة بالخيوط الطول الزائد في الخيوط قد يتسبب في السخونة المفرطة للمحرك، ما قد يؤدي إلى التعرض لإصابات شخصية خطيرة.

### استبدال الخيوط

**ملاحظة:** احرص دائمًا على استخدام خيوط النايلون الموصى به وألا يتخطى قطره 2.4 مم. لأن استخدام خيوط آخر غير الموصى به قد يتسبب في السخونة المفرطة للجرّازة العاملة بالخيوط أو تعرضها للتلف.

**تحذير:** لا تقم أبدًا باستخدام خيوط معزز معدنيًا، أو سلك معدني، أو حبل، أو ما شابه ذلك. لأن تلك الأشياء قد تنقطع وتتسبب في تطاير أشياء خطيرة.

1. اخلع مجموعة البطارية.
2. اخلع خيوط الجرّازة المتبقية، عند اللزوم.
3. اقطع خيوط جرّازة طوله 4 سم، وأدخل الخيوط في فتحة التركيب الموجودة داخل الثقب (الشكل R). ادفع الخيوط واسحبها من الجانب الآخر حتى تظهر نفس الطول للخيوط على كلا جانبي ملف الخيوط.
4. أثناء دوران تجميع الغطاء السفلي في اتجاه السهم، اضغط لسحب الخيوط على ملف الخيوط إلى أن يظهر حوالي 14 سم من الخيوط على كل جانب (الشكل S).

5. اضغط لأسفل على تجميع الغطاء السفلي بينما تسحب من الخيوط، لتدفع الخيوط للأمام يدويًا وللتحقق من التجميع السليم لرأس الجرّازة.

عند انقطاع خيوط الجرّازة من فتحة الخيوط، أو عدم تحرر خيوط الجرّازة عند نقر رأس الجرّازة، اتبع الخطوات أدناه:

1. اضغط على ألسنة التحرير الموجودة بالغطاء العلوي، واخلع تجميع الغطاء السفلي عن طريق سحبها للخارج بشكل مستقيم (انظر الشكل T و U).
2. أزل خيوط القطع عن ملف الخيوط.
3. بينما تمسك بإحدى يديك بتجميع الغطاء السفلي، استخدم اليد الأخرى في الإمساك بتجميع الغطاء السفلي ومحاذة الألسنة الموجودة بالغطاء العلوي مع الفتحات الموجودة في تجميع الغطاء السفلي (الشكل V)؛ استخدم راحة يدك في الضغط على تجميع الغطاء السفلي إلى أن تتشبك الألسنة مع الغطاء العلوي.
4. اتبع التعليمات الواردة في قسم «استبدال الخيوط» لإعادة تحميل خيوط الجرّازة.

## استبدال الشفرة ثلاثية الأسنان

1. اخلع تجميع الغطاء السفلي على النحو الموضح في الشكلين T و U.
2. أدخل قضيب الموزانة، ثم استخدم جهاز ربط بالصدمات في فك الصامولة على النحو الموضح في الشكلين X1 و X2.
3. اخلع جميع الأجزاء ما عدا الشفة الداخلية والصامولة (الشكل X3)، وقم بتركيب الشفرة على عمود المحرك على النحو الموضح في الشكل X4.
4. اربط الشفرة كما هو موضح في الشكل X5.

## الصيانة

**تحذير:** استخدم فقط قطع غيار أصلية عند إجراء أعمال الصيانة. قم بفحص وصيانة الآلة بانتظام. لضمان السلامة والاعتمادية، يجب تنفيذ جميع أعمال الإصلاح من قبل فني خدمة موهل.

**تحذير:** لمنع التعرض لإصابات شخصية خطيرة، اخلع مجموعة البطارية من الآلة قبل إجراء أعمال الصيانة، أو التنظيف، أو تغيير الملحقات الإضافية، أو إزالة المواد من الوحدة.

**تنبيه:** العوائق الموجودة في الفتحات قد تمنع الهواء من التدفق في هيكل المحرك، وهو ما قد يؤدي إلى السخونة المفرطة أو تلف المحرك.

### تنظيف الوحدة

- نظف الوحدة باستخدام قطعة قماش مبللة مع منظف خفيف. لا تسمح أبدًا بدخول أي سوائل إلى داخل الآلة، ولا تغمر أي جزء منها في السوائل بأي حال من الأحوال.
- لا تستخدم أي منظفات قوية على الهيكل البلاستيكي أو المعيقض. لأنهم معرضون للتلف بفعل زيوت عطرية معينة، مثل الصنوبر والليمون، وبفعل محاليل مثل الكيروسين. كما قد تتسبب الرطوبة في التعرض لصدمة كهربائية. امسح أي بلل بقطعة قماش جافة ناعمة.

## حماية البيئة

التخلص من المعدات الكهربائية أو البطارية المستهلكة أو الشاحن في النفايات المنزلية! بل توجه بهذا المنتج إلى مركز إعادة تدوير معتمد ليكون متاحًا للفرز بشكل منفرد. يجب إعادة الآلات الكهربائية إلى مرفق إعادة تدوير صديق للبيئة.



- استخدم فرشاة صغيرة أو التفريغ الهوائي من فرشاة مكنسة كهربائية صغيرة في تنظيف فتحات الهواء الموجودة بالهيكل الخلفي.
- حافظ على خلو فتحات الهواء الموجودة في هيكل المحرك من العوالق في جميع الأوقات.

## تشحيم علبة التروس

علبة التروس الموجودة في صندوق ناقل الحركة تحتاج للتشحيم بشكل منتظم باستخدام شحم مخصص لذلك. افحص مستوى تشحيم صندوق ناقل الحركة بعد كل 50 ساعة تشغيل عن طريق خلع مسمار القفل الموجود بجانب الصندوق.

إن لم تستطع رؤية أي شحم على أسنان التروس، اتبع الخطوات التالية للتعبئة بشحم ناقل الحركة حتى مستوى 4/3 من السعة الداخلية. لا تملأ ناقل الحركة بالكامل.

1. أمسك الجِزَازة العاملة بالخيط وهي على جانبها بحيث يكون مسمار القفل وجهه لأعلى (الشكل W).
2. استخدم مفتاح الربط متعدد الوظائف المرفق في فك وخلع مسمار القفل.
3. استخدم محقنة تشحيم (غير مرفقة) لحقن بعض الشحم في فتحة المسمار؛ بحيث لا تتخطى 4/3 من السعة الداخلية.
4. اربط مسمار القفل بعد الحقن.

## تخزين الوحدة

- اخلع مجموعة البطارية من الجِزَازة العاملة بالخيط عند عدم استخدامها.
- نظف الآلة جيدًا قبل تخزينها.
- خزن الوحدة في منطقة جافة جيدة التهوية، بحيث يكون في مكان مقفل أو عالي عن سطح الأرض بعيدًا عن متناول أيدي الأطفال. لا تقم بتخزين الوحدة على الأسمدة أو النيزين أو المواد الكيميائية الأخرى، أو بجوارها.

## استكشاف الأخطاء وإصلاحها

| المشكلة                                     | السبب   | الحل  |
|---|---|---|
| لا يمكن بدء تشغيل الجِزَاة العاملة بالخيط.  | <ul style="list-style-type: none"> <li>مجموعة البطارية غير مركبة في الجِزَاة.</li> <li>ا يوجد اتصال كهربائي بين الجِزَاة والبطارية.</li> <li>نقد شحن مجموعة البطارية.</li> <li>لم يتم الضغط على زر القفل والزراند بشكل متزامن.</li> </ul>   | <ul style="list-style-type: none"> <li>قم بتركيب مجموعة البطارية في الجِزَاة.</li> <li>اخلع البطارية، وافحص التوصيلات، ثم أعد تركيب مجموعة البطارية.</li> <li>اشحن مجموعة البطارية.</li> <li>اضغط لأسفل مع التثبيت على زر القفل، ثم اضغط مع التثبيت على الزناد لتشغيل الجِزَاة العاملة بالخيط.</li> </ul>   |
| الجِزَاة العاملة بالخيط تتوقف أثناء الجِز.  | <ul style="list-style-type: none"> <li>الواقى غير مركب على الجِزَاة، وهو ما يؤدي إلى خيط قطع طويل للغاية ووجود حمل زائد على المحرك.</li> <li>تم استخدام خيط قطع ثقيل.</li> <li>هناك عشب ملتف حول عمود المحرك أو رأس الجِزَاة.</li> <li>هناك حمل زائد على المحرك.</li> <li>مجموعة البطارية أو الجِزَاة العاملة بالخيط ساخنة للغاية.</li> <li>مجموعة البطارية مفصولة من الآلة.</li> <li>نقد شحن مجموعة البطارية.</li> </ul> | <ul style="list-style-type: none"> <li>اخلع مجموعة البطارية وركب الواقى على الجِزَاة.</li> <li>استخدم خيط الجِز الموصى به من النايلون بحيث لا يزيد قطره عن 2.4 مم.</li> <li>أوقف الجِزَاة، واخلع البطارية، وتخلص من العشب الملتف على عمود المحرك ورأس الجِزَاة.</li> <li>ارفع رأس الجِزَاة عن الحشائش. سيعاود المحرك العمل بمجرد التخلص من الحمل الواقع عليه. أثناء الجِز، حرك رأس الجِزَاة داخل الحشائش المراد جِزها وخارجها، ولا تقم بإزالة طول يزيد عن 20 سم في كل مرة جِز.</li> <li>اترك مجموعة البطارية أو الجِزَاة تبرد إلى تهبط درجة الحرارة إلى ما دون 67 درجة مئوية.</li> <li>أعد تركيب مجموعة البطارية.</li> <li>اشحن مجموعة البطارية.</li> </ul> |
| لا يقوم رأس الجِزَاة بدفع الخيط للأمام.     | <ul style="list-style-type: none"> <li>هناك عشب ملتف حول عمود المحرك أو رأس الجِزَاة.</li> <li>لا يوجد خيط كافٍ على ملف الخيوط.</li> <li>رأس الجِزَاة متسخ.</li> <li>الخيط متشابك على ملف الخيوط.</li> <li>الخيط قصير للغاية.</li> </ul>  | <ul style="list-style-type: none"> <li>أوقف الجِزَاة، واخلع البطارية، ونظف عمود المحرك ورأس الجِزَاة.</li> <li>اخلع البطارية واستبدل خيط الجِز؛ واتبع التعليمات الواردة في قسم "استبدال الخيط" من هذا الدليل.</li> <li>اخلع البطارية ونظف رأس الجِزَاة.</li> <li>اخلع البطارية، واخلع الخيط من رأس الجِزَاة وأعد لفه؛ واتبع التعليمات الواردة في قسم "إعادة تحميل خيط الجِز" من هذا الدليل.</li> <li>اخلع البطارية واسحب الخيوط يدويًا بينما تقوم بشكل متناوب بالضغط على رأس الجِزَاة لأسفل ثم تحريرها.</li> </ul>  |
| تلتف الحشائش حول رأس الجِزَاة ويهيك المحرك. | <ul style="list-style-type: none"> <li>يت جِز الحشائش الطويلة عند مستوى الأرض.</li> </ul>   | <ul style="list-style-type: none"> <li>اقطع العشب الطويل من أعلى لأسفل، مع إزالة طول لا يزيد عن 20 سم في كل مرة لمنع التفاف العشب على أجزاء الآلة.</li> </ul>   |

| المشكلة   | السبب                  | الحل  |
|---|------------------------|---|
| هناك تشققات في رأس<br>الجزّارة، أو تجميعية الغطاء<br>السفلي تنفك من الغطاء<br>العلوي. | ■ رأس الجزّارة متهالك. | ■ يجب أن يتم استبدال رأس الجزّارة بواسطة فني صيانة<br>متّخصص. |

## الضمان

سياسة ضمان EGO

تفضل بزيارة الموقع الإلكتروني [egopowerplus.com](http://egopowerplus.com) للتعرف على الشروط والأحكام الكاملة الخاصة بسياسة ضمان EGO.

